

UC-12P1N12Q0DU - Rear panel feed-through



1606296

<https://www.phoenixcontact.com/us/products/1606296>

Please be informed that the data shown in this PDF document is generated from our online catalog. Please find the complete data in the user documentation. Our general terms of use for downloads are valid.



M23, Rear panel feed-through, application: Signal, series: UC, straight, shielded: yes, Screw locking mechanism, No. of pos.: 12, Direction of rotation: Standard, contact connection type: Pin, Solder cup, Axial O-ring, cable diameter range: 2 mm ... 14.5 mm, coding: N

Commercial data

Item number	1606296
Packing unit	1 pc
Note	Made to order (non-returnable)
Sales key	AB31
Product key	ABRAIJ
GTIN	4046356258661
Weight per piece (including packing)	123.77 g
Weight per piece (excluding packing)	112.27 g
Customs tariff number	85366990
Country of origin	DE

UC-12P1N12Q0DU - Rear panel feed-through



1606296

<https://www.phoenixcontact.com/us/products/1606296>

Technical data

Product properties

Product type	Circular connector (cable-side)
--------------	---------------------------------

Connector

Insulating body

Coding	N
Material (Insulating body)	PBT
Material (Contact)	CuZn
Material (Contact surface)	Ni/Au
Insertion/withdrawal cycles	100
Connection method	Solder cup
Contact switching type	Pin
Application	Signal
Number of positions	12
Direction of rotation	Standard
Connection profile	12
Number (Contact group 1)	12
Contact diameter (Contact group 1)	1 mm
Litz wires Min. cross section (Contact group 1)	0.08 mm ²
Litz wires Max. cross section (Contact group 1)	1 mm ²
Rated current Contact (Contact group 1)	8 A (for max. connection cross section)
Rated voltage Contact (Contact group 1)	48 V AC 74 V DC
Rated surge voltage	1.5 kV
Overvoltage category	III
Degree of pollution	3

Housing

Type	Feed-through header
Thread type	M23
Design	straight
Type of locking	Screw locking mechanism
Pg screw connection	none
Mounting type	Rear mounting
Assembly note	Central fastening
Material (Housing)	GD-Zn
Material (Rotating parts)	CuZn
Material (Housing surface)	Ni
Material (Seal)	FPM (O-ring)
Degree of protection (plugged in)	IP67
Seal for the device	Axial O-ring

UC-12P1N12Q0DU - Rear panel feed-through



1606296

<https://www.phoenixcontact.com/us/products/1606296>

Seal

External cable diameter	2 mm ... 14.5 mm
Seal material	NBR

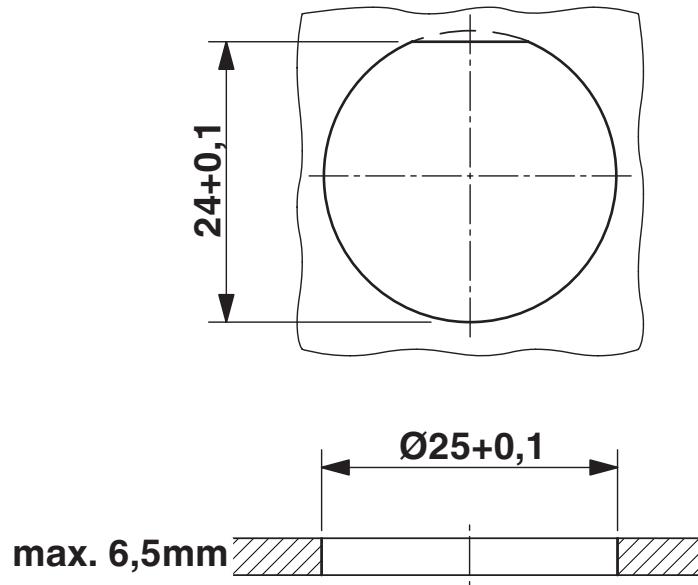
UC-12P1N12Q0DU - Rear panel feed-through

1606296

<https://www.phoenixcontact.com/us/products/1606296>

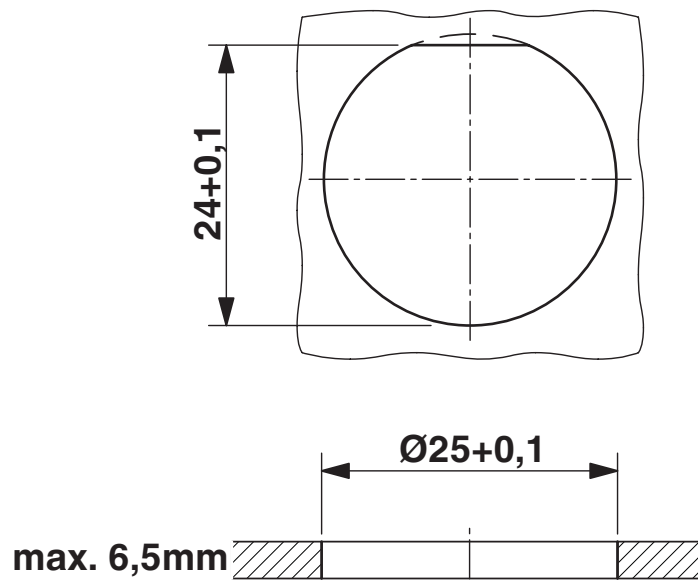
Drawings

Dimensional drawing



Installation dimensions

Dimensional drawing



Installation dimensions

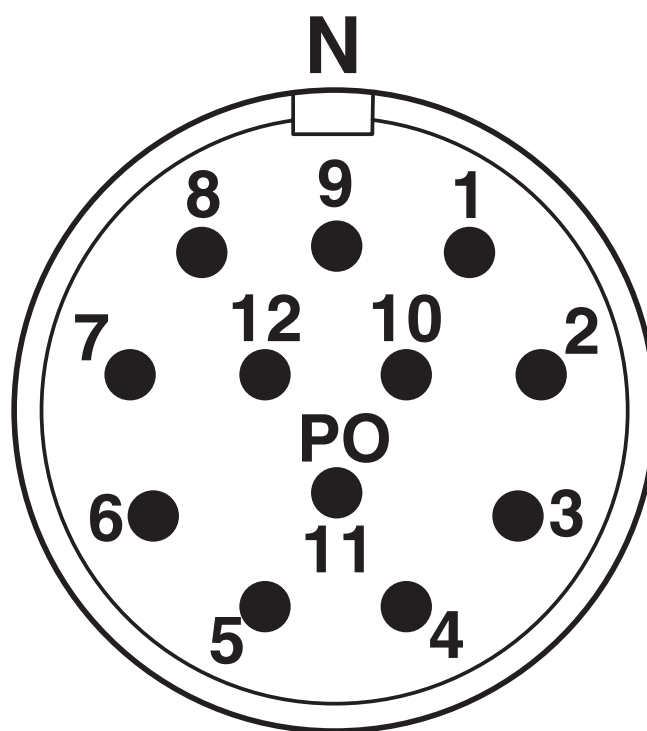
UC-12P1N12Q0DU - Rear panel feed-through



1606296

<https://www.phoenixcontact.com/us/products/1606296>

Schematic diagram



Connector pin assignment

UC-12P1N12Q0DU - Rear panel feed-through



1606296

<https://www.phoenixcontact.com/us/products/1606296>

Schematic diagram



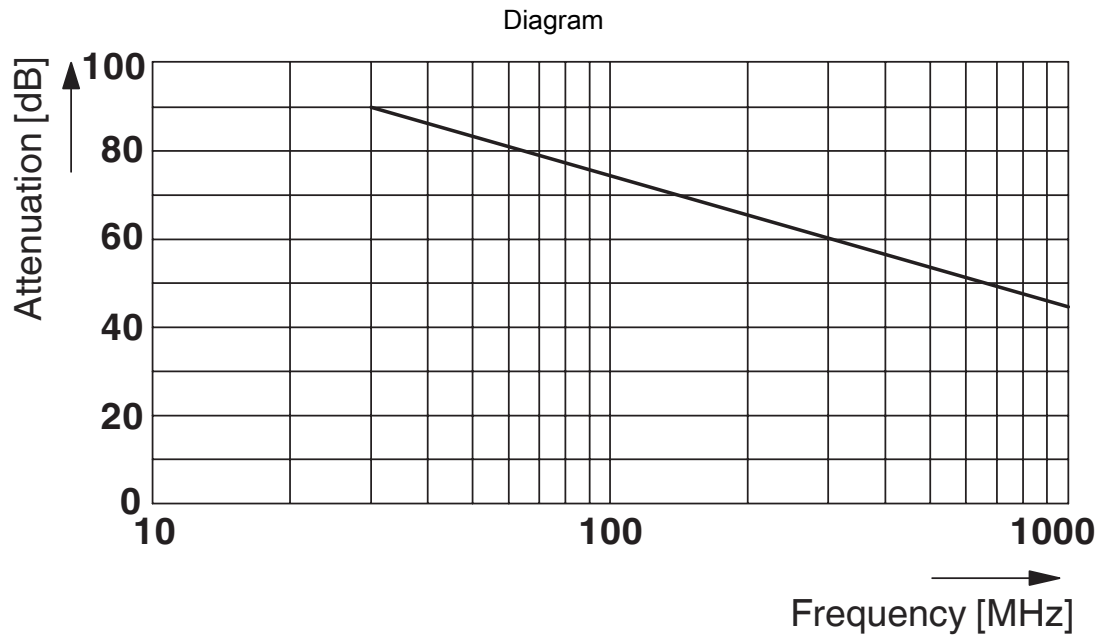
Dimensional drawing

UC-12P1N12Q0DU - Rear panel feed-through



1606296

<https://www.phoenixcontact.com/us/products/1606296>



UC-12P1N12Q0DU - Rear panel feed-through



1606296

<https://www.phoenixcontact.com/us/products/1606296>

Classifications

UNSPSC

UNSPSC 21.0	39121409
-------------	----------

UC-12P1N12Q0DU - Rear panel feed-through



1606296

<https://www.phoenixcontact.com/us/products/1606296>

Environmental product compliance

EU RoHS

Fulfills EU RoHS substance requirements	Yes
Exemption	6(c)

China RoHS

Environment friendly use period (EFUP)	EFUP-50
	An article-related China RoHS declaration table can be found in the download area for the respective article under "Manufacturer declaration". For all articles with EFUP-E, no China RoHS declaration table issued and required.

EU REACH SVHC

REACH candidate substance (CAS No.)	No substance above 0.1 wt%
-------------------------------------	----------------------------

Phoenix Contact 2026 © - all rights reserved
<https://www.phoenixcontact.com>

Phoenix Contact USA
586 Fulling Mill Road
Middletown, PA 17057, United States
(+717) 944-1300
info@phoenixcon.com