

UC-07S1N8AQ0DU - Rear panel feed-through



1606199

<https://www.phoenixcontact.com/us/products/1606199>

Please be informed that the data shown in this PDF document is generated from our online catalog. Please find the complete data in the user documentation. Our general terms of use for downloads are valid.



M23, Rear panel feed-through, application: Signal, series: UC, straight, shielded: yes, Screw locking mechanism, No. of pos.: 7, Direction of rotation: Standard, contact connection type: Socket, Crimp connection, Axial O-ring, cable diameter range: 2 mm ... 14.5 mm, coding: N. This product is in the process of being discontinued. This product must no longer be considered for new projects. Please contact your sales representative for alternatives.

The figure shows the 12-pos. product version

Commercial data

Item number	1606199
Packing unit	12 pc
Minimum order quantity	12 pc
Sales key	AB31
Product key	ABRAIJ
GTIN	4046356258012
Weight per piece (including packing)	119.14 g
Weight per piece (excluding packing)	110.772 g
Customs tariff number	85389099
Country of origin	DE

UC-07S1N8AQ0DU - Rear panel feed-through



1606199

<https://www.phoenixcontact.com/us/products/1606199>

Technical data

Product properties

Product type	Circular connectors (device side)
--------------	-----------------------------------

Connector

Insulating body

Note	Order information: Order crimp contacts Ø 2 mm separately
Coding	N
Material (Insulating body)	PA 6.6
Connection method	Crimp connection
Contact switching type	Socket
Application	Signal
Number of positions	7
Direction of rotation	Standard
Connection profile	7
Number (Contact group 1)	7
Contact diameter (Contact group 1)	2 mm
Rated current Contact (Contact group 1)	20 A (for max. connection cross section)
Rated voltage Contact (Contact group 1)	48 V AC 74 V DC
Rated surge voltage	1.5 kV
Overvoltage category	III
Degree of pollution	3

Housing

Type	Feed-through header
Thread type	M23
Design	straight
Type of locking	Screw locking mechanism
Pg screw connection	none
Mounting type	Rear mounting
Assembly note	Central fastening
Material (Housing)	GD-Zn
Material (Rotating parts)	CuZn
Material (Housing surface)	Ni
Material (Seal)	FPM (O-ring)
Degree of protection (plugged in)	IP67
Seal for the device	Axial O-ring

Seal

External cable diameter	2 mm ... 14.5 mm
Seal material	NBR

UC-07S1N8AQ0DU - Rear panel feed-through



1606199

<https://www.phoenixcontact.com/us/products/1606199>

Environmental and real-life conditions

Ambient conditions

Permissible humidity (storage/transport)
--

50 % ... 65 %

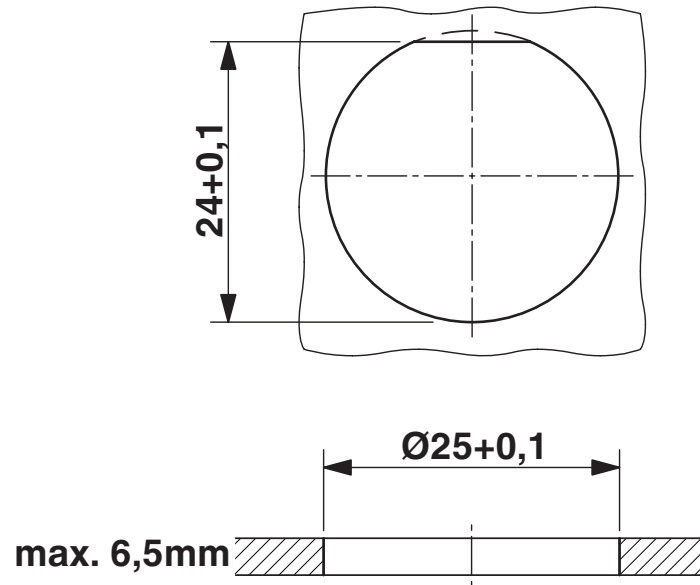
UC-07S1N8AQ0DU - Rear panel feed-through

1606199

<https://www.phoenixcontact.com/us/products/1606199>

Drawings

Dimensional drawing



Installation dimensions

UC-07S1N8AQ0DU - Rear panel feed-through

1606199

<https://www.phoenixcontact.com/us/products/1606199>



Schematic diagram



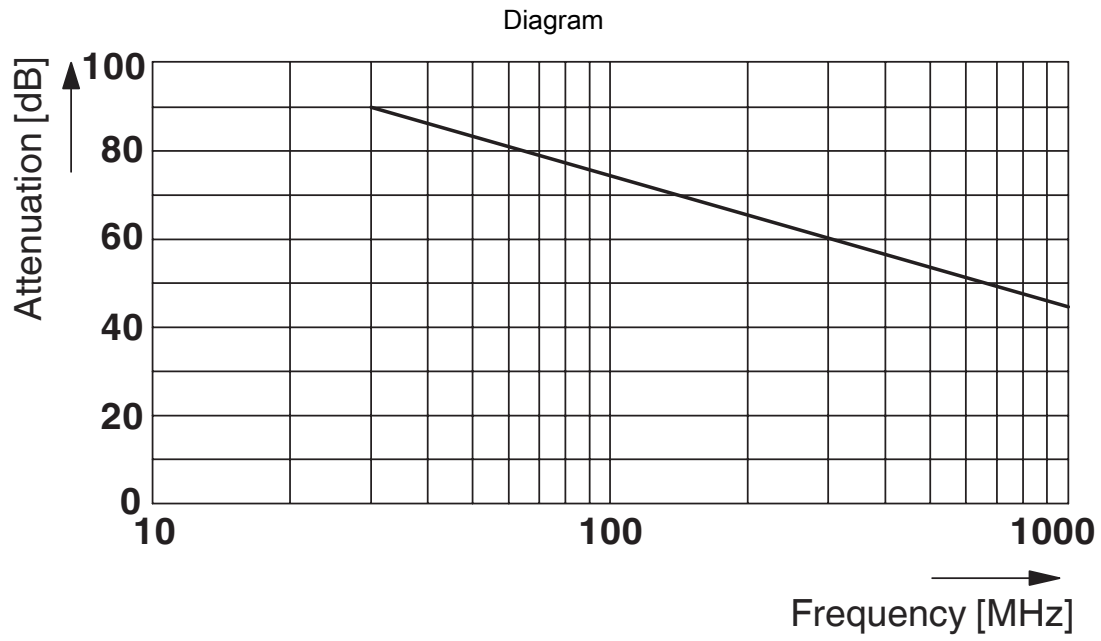
Connector pin assignment

UC-07S1N8AQ0DU - Rear panel feed-through



1606199

<https://www.phoenixcontact.com/us/products/1606199>



UC-07S1N8AQ0DU - Rear panel feed-through



1606199

<https://www.phoenixcontact.com/us/products/1606199>

Classifications

ECLASS

ECLASS-13.0	27440109
ECLASS-15.0	27440109

ETIM

ETIM 10.0	EC003569
-----------	----------

UNSPSC

UNSPSC 21.0	39121400
-------------	----------

UC-07S1N8AQ0DU - Rear panel feed-through



1606199

<https://www.phoenixcontact.com/us/products/1606199>

Environmental product compliance

EU RoHS

Fulfills EU RoHS substance requirements	Yes
Exemption	6(c)

China RoHS

Environment friendly use period (EFUP)	EFUP-50
	An article-related China RoHS declaration table can be found in the download area for the respective article under "Manufacturer declaration". For all articles with EFUP-E, no China RoHS declaration table issued and required.

EU REACH SVHC

REACH candidate substance (CAS No.)	Lead(CAS: 7439-92-1)
SCIP	fbfe7880-c6da-461a-a162-6d1d4f87942d

Phoenix Contact 2026 © - all rights reserved

<https://www.phoenixcontact.com>

Phoenix Contact USA
586 Fulling Mill Road
Middletown, PA 17057, United States
(+717) 944-1300
info@phoenixcon.com