

# UC-0000000Q0DU - Housing for circular connector



1606053

<https://www.phoenixcontact.com/us/products/1606053>

Please be informed that the data shown in this PDF document is generated from our online catalog. Please find the complete data in the user documentation. Our general terms of use for downloads are valid.



Housing for circular connector, series: UC, straight, Screw locking mechanism, M23, number of positions: 12, contact connection type: Socket, Crimp connection, Axial O-ring, shielded: yes, cable diameter range: 2 mm... 14.5 mm. This product is in the process of being discontinued. This product must no longer be considered for new projects. Please contact your sales representative for alternatives.

## Commercial data

Item number	1606053
Packing unit	12 pc
Minimum order quantity	1 pc
Sales key	AB31
Product key	ABRAIK
GTIN	4046356257008
Weight per piece (including packing)	116.59 g
Weight per piece (excluding packing)	108.272 g
Customs tariff number	85389099
Country of origin	DE

# UC-0000000Q0DU - Housing for circular connector



1606053

<https://www.phoenixcontact.com/us/products/1606053>

## Technical data

### Product properties

Product type	Circular connector housing
Series	UC
Application	Signal
Connection profile	12
Shielded	yes
Thread type	M23

### Connection data

Connection method	Crimp connection
-------------------	------------------

### Material specifications

Material Housing	GD-Zn
Material Rotating parts	CuZn
Material Housing surface	Ni
Material Seal	FPM (O-ring)
Seal material	FPM or NBR or EPDM

### Connector

Type	straight
------	----------

### Cable/line

External cable diameter	2 mm ... 14.5 mm
-------------------------	------------------

### Environmental and real-life conditions

#### Ambient conditions

Degree of protection	IP67
Ambient temperature (operation)	-20 °C ... 125 °C
Altitude	2000 m

### Mounting

Mounting type	Rear mounting
Assembly note	Central fastening

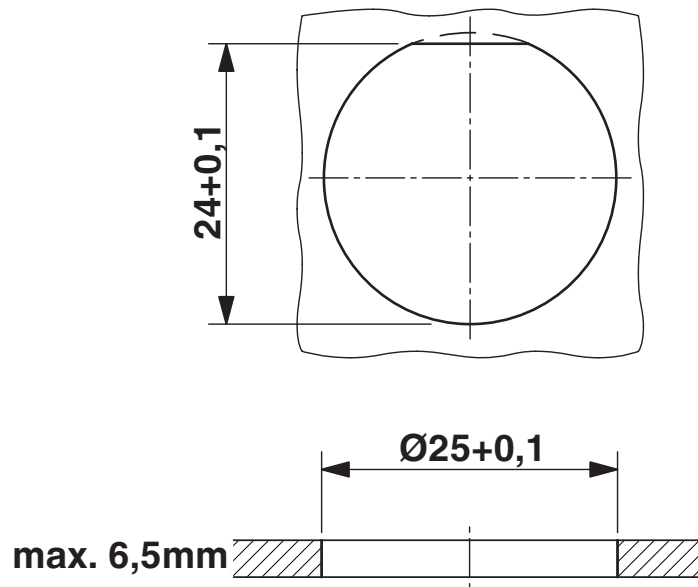
# UC-0000000Q0DU - Housing for circular connector

1606053

<https://www.phoenixcontact.com/us/products/1606053>

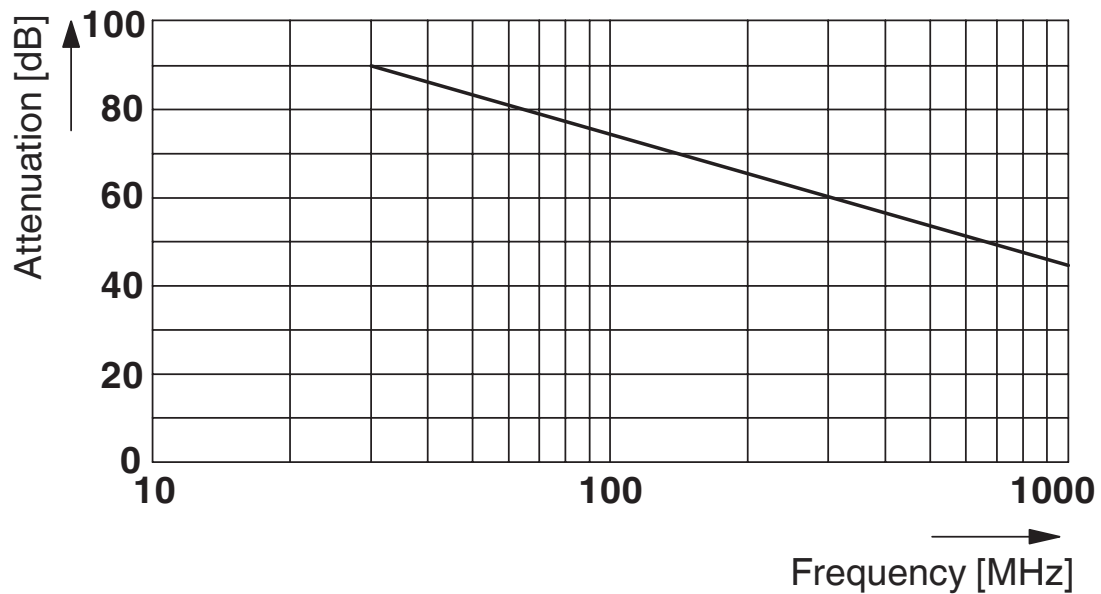
## Drawings

Dimensional drawing



## Installation dimensions

Diagram



# UC-0000000Q0DU - Housing for circular connector



1606053

<https://www.phoenixcontact.com/us/products/1606053>

## Classifications

### ECLASS

ECLASS-13.0	27440224
ECLASS-15.0	27440224

### ETIM

ETIM 10.0	EC003556
-----------	----------

### UNSPSC

UNSPSC 21.0	39121400
-------------	----------

# UC-0000000Q0DU - Housing for circular connector



1606053

<https://www.phoenixcontact.com/us/products/1606053>

## Environmental product compliance

### EU RoHS

Fulfills EU RoHS substance requirements	Yes
Exemption	6(c)

### China RoHS

Environment friendly use period (EFUP)	EFUP-50
	An article-related China RoHS declaration table can be found in the download area for the respective article under "Manufacturer declaration". For all articles with EFUP-E, no China RoHS declaration table issued and required.

### EU REACH SVHC

REACH candidate substance (CAS No.)	Lead(CAS: 7439-92-1)
SCIP	810e7ae3-7b66-48bf-8e39-9eda921ca676

Phoenix Contact 2026 © - all rights reserved

<https://www.phoenixcontact.com>

Phoenix Contact USA  
586 Fulling Mill Road  
Middletown, PA 17057, United States  
(+717) 944-1300  
[info@phoenixcon.com](mailto:info@phoenixcon.com)