

TU-Z2003 - Plastic protective cap

1606023

<https://www.phoenixcontact.com/us/products/1606023>

Please be informed that the data shown in this PDF document is generated from our online catalog. Please find the complete data in the user documentation. Our general terms of use for downloads are valid.



Plastic dust protection cap for bayonet cable connectors of TU series

The figure shows the product version for M23 circular connectors

Commercial data

Item number	1606023
Packing unit	25 pc
Minimum order quantity	1 pc
Note	Made to order (non-returnable)
Sales key	AB36
Product key	ABRGAA
GTIN	4046356256797
Weight per piece (including packing)	3.09 g
Weight per piece (excluding packing)	3.09 g
Customs tariff number	39235090
Country of origin	DE

TU-Z2003 - Plastic protective cap



1606023

<https://www.phoenixcontact.com/us/products/1606023>

Technical data

Product properties

Product type	Mounting material
Series	TU

Environmental and real-life conditions

Ambient conditions

Degree of protection	IP20
----------------------	------

TU-Z2003 - Plastic protective cap

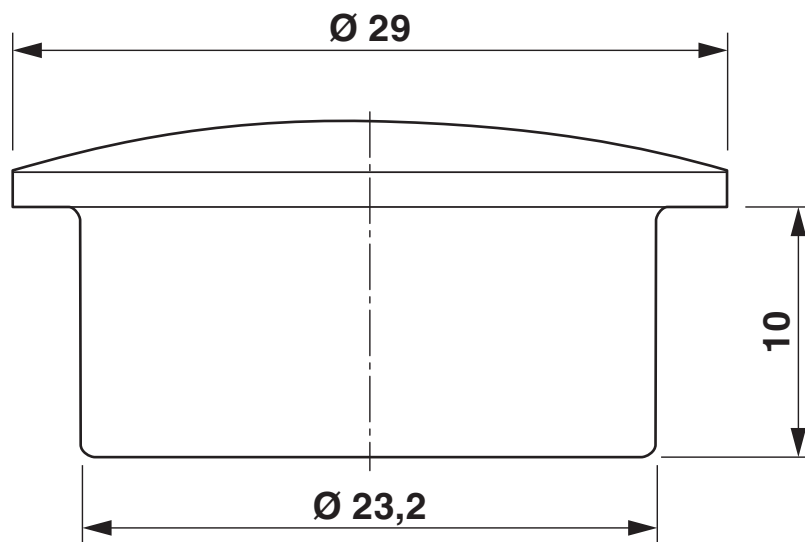
1606023

<https://www.phoenixcontact.com/us/products/1606023>



Drawings

Dimensional drawing



Dimensional drawing

TU-Z2003 - Plastic protective cap



1606023

<https://www.phoenixcontact.com/us/products/1606023>

Classifications

ECLASS

ECLASS-13.0	27440312
ECLASS-15.0	27440312

ETIM

ETIM 9.0	EC002641
----------	----------

UNSPSC

UNSPSC 21.0	39121400
-------------	----------

TU-Z2003 - Plastic protective cap



1606023

<https://www.phoenixcontact.com/us/products/1606023>

Environmental product compliance

EU RoHS

Fulfills EU RoHS substance requirements	Yes, No exemptions
---	--------------------

China RoHS

Environment friendly use period (EFUP)	EFUP-E
	No hazardous substances above the limits

EU REACH SVHC

REACH candidate substance (CAS No.)	No substance above 0.1 wt%
-------------------------------------	----------------------------

Phoenix Contact 2026 © - all rights reserved
<https://www.phoenixcontact.com>

Phoenix Contact USA
586 Fulling Mill Road
Middletown, PA 17057, United States
(+717) 944-1300
info@phoenixcon.com