

# TU-00000004300 - Panel mounting base



1605883

<https://www.phoenixcontact.com/us/products/1605883>

Please be informed that the data shown in this PDF document is generated from our online catalog. Please find the complete data in the user documentation. Our general terms of use for downloads are valid.



Panel mounting base, application: Signal, straight, Bayonet locking, M23, number of positions: 12, contact connection type: Socket, Radial O-ring, 4xM3, shielded: yes, connection method: Crimp connection, series: TU, Alternative product in accordance with RoHS II without Exemption 6c (Pb < 0.1 %) item no.: 1242017

## Commercial data

Item number	1605883
Packing unit	20 pc
Minimum order quantity	1 pc
Note	Made to order (non-returnable)
Product key	ABRAHS
GTIN	4046356255448
Weight per piece (including packing)	44.21 g
Weight per piece (excluding packing)	44.21 g
Country of origin	DE

# TU-00000004300 - Panel mounting base



1605883

<https://www.phoenixcontact.com/us/products/1605883>

## Technical data

### Notes

Order information:	Order contact inserts separately
--------------------	----------------------------------

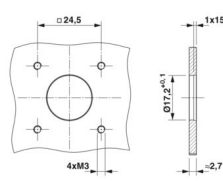
### Product properties

Product type	Panel mounting base
Series	TU
Application	Signal
Connection profile	12
Shielded	yes
Thread type	M23

### Connection data

Connection method	Crimp connection
-------------------	------------------

### Dimensions

Dimensional drawing	
Length of the solder pin	16.5 mm 2.5 mm 3.5 mm 9 mm 16.5 mm 2.5 mm 3.5 mm 9 mm

### Material specifications

Seal material	FPM or NBR or EPDM
Housing material	Metal

### Connector

Type	straight
------	----------

### Environmental and real-life conditions

#### Ambient conditions

Degree of protection	IP67
Ambient temperature (operation)	-20 °C ... 125 °C
Altitude	2000 m

# TU-00000004300 - Panel mounting base



1605883

<https://www.phoenixcontact.com/us/products/1605883>

## Mounting

Mounting	4x M3
----------	-------

# TU-00000004300 - Panel mounting base

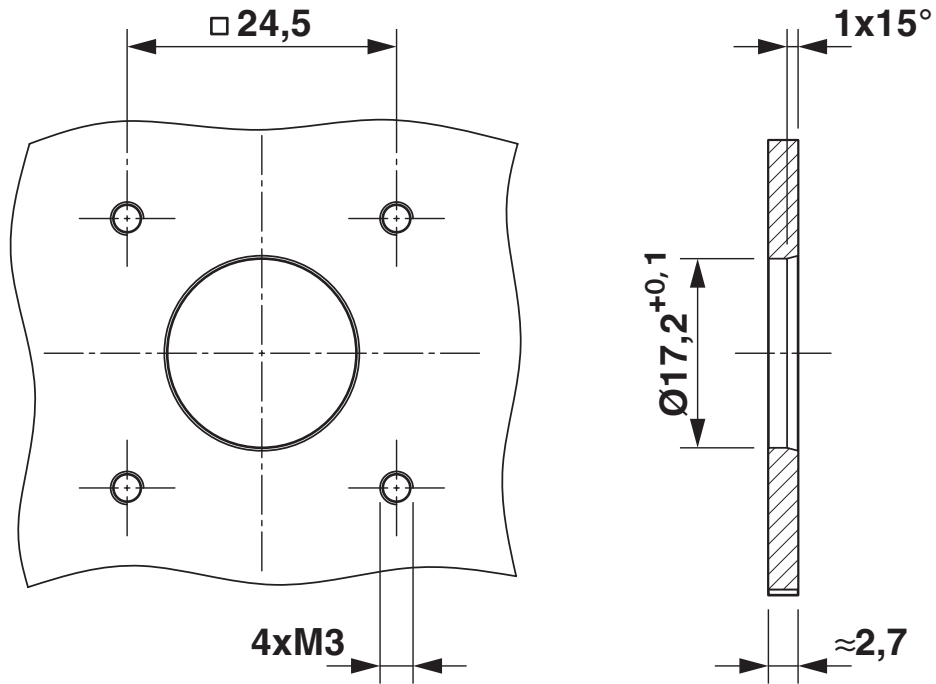


1605883

<https://www.phoenixcontact.com/us/products/1605883>

## Drawings

Dimensional drawing



Installation dimensions

# TU-00000004300 - Panel mounting base



1605883

<https://www.phoenixcontact.com/us/products/1605883>

## Classifications

### UNSPSC

UNSPSC 21.0	39121400
-------------	----------

# TU-00000004300 - Panel mounting base



1605883

<https://www.phoenixcontact.com/us/products/1605883>

## Environmental product compliance

### EU RoHS

Fulfills EU RoHS substance requirements	Yes
Exemption	6(c)

### China RoHS

Environment friendly use period (EFUP)	EFUP-50
	An article-related China RoHS declaration table can be found in the download area for the respective article under "Manufacturer declaration". For all articles with EFUP-E, no China RoHS declaration table issued and required.

### EU REACH SVHC

REACH candidate substance (CAS No.)	Lead(CAS: 7439-92-1)
SCIP	c718ae01-8f4c-4285-a033-778665dee2d5

Phoenix Contact 2026 © - all rights reserved

<https://www.phoenixcontact.com>

Phoenix Contact USA  
586 Fulling Mill Road  
Middletown, PA 17057, United States  
(+717) 944-1300  
[info@phoenixcon.com](mailto:info@phoenixcon.com)