

TU-00000004100 - Housing for circular connector



1605881

<https://www.phoenixcontact.com/us/products/1605881>

Please be informed that the data shown in this PDF document is generated from our online catalog. Please find the complete data in the user documentation. Our general terms of use for downloads are valid.



Housing for circular connector, series: TU, straight, Bayonet locking, M23, number of positions: 12, contact connection type: Socket, Crimp connection, Flat gasket, shielded: yes, panel thickness max.: 2.5 mm. This product is in the process of being discontinued. This product must no longer be considered for new projects. Please contact your sales representative for alternatives.

Commercial data

Item number	1605881
Packing unit	20 pc
Minimum order quantity	1 pc
Note	Made to order (non-returnable)
Sales key	AB31
Product key	ABRAHS
GTIN	4046356255431
Weight per piece (including packing)	50.93 g
Weight per piece (excluding packing)	44.43 g
Customs tariff number	85366990
Country of origin	DE

TU-00000004100 - Housing for circular connector



1605881

<https://www.phoenixcontact.com/us/products/1605881>

Technical data

Notes

Order information:	Order contact inserts separately
--------------------	----------------------------------

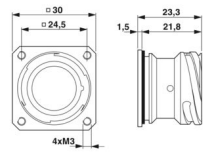
Product properties

Product type	Circular connector housing
Series	TU
Application	Signal
Connection profile	12
Shielded	yes
Thread type	M23

Connection data

Connection method	Crimp connection
-------------------	------------------

Dimensions

Dimensional drawing	
Length of the solder pin	16.5 mm
	2.5 mm
	3.5 mm
	9 mm
	16.5 mm
	2.5 mm
	3.5 mm
	9 mm
Panel thickness	< 2.5 mm

Material specifications

Material Housing	GD-Zn
Material Housing surface	Ni
Material Rotating parts	CuZn
Seal material	FPM or NBR or EPDM
Gasket and O-ring material	FPM

Connector

Type	straight
------	----------

Environmental and real-life conditions

TU-00000004100 - Housing for circular connector



1605881

<https://www.phoenixcontact.com/us/products/1605881>

Ambient conditions

Degree of protection	IP67
Ambient temperature (operation)	-40 °C ... 90 °C
Altitude	2000 m

Mounting

Mounting type	Rear mounting/square flange (4x M3)
---------------	-------------------------------------

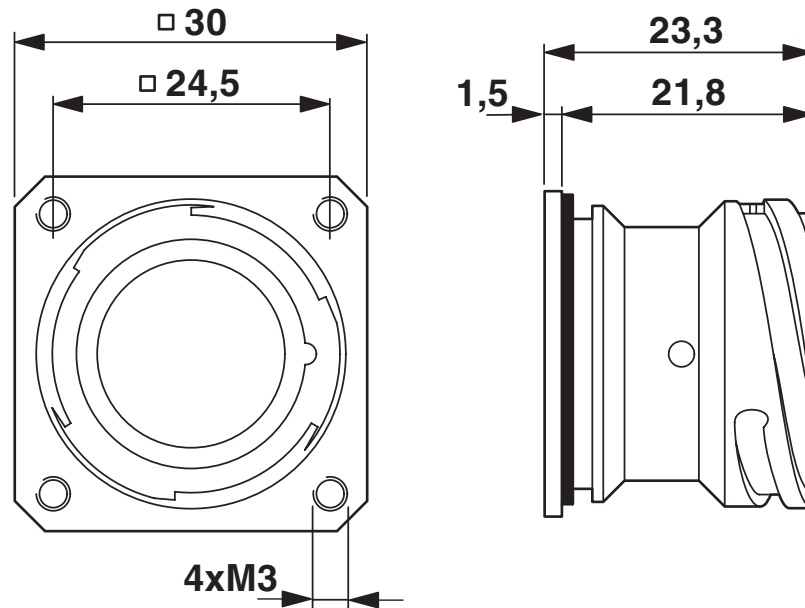
TU-00000004100 - Housing for circular connector

1605881

<https://www.phoenixcontact.com/us/products/1605881>

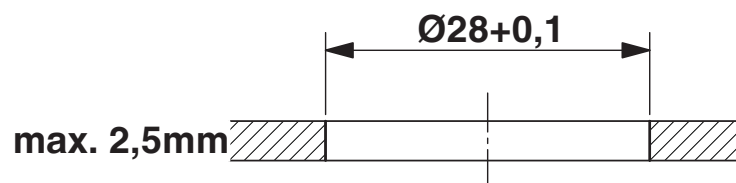
Drawings

Dimensional drawing



Dimensional drawing

Dimensional drawing



Installation dimensions

TU-00000004100 - Housing for circular connector



1605881

<https://www.phoenixcontact.com/us/products/1605881>

Classifications

ECLASS

ECLASS-13.0	27440224
ECLASS-15.0	27440224

ETIM

ETIM 10.0	EC003556
-----------	----------

UNSPSC

UNSPSC 21.0	31261500
-------------	----------

TU-00000004100 - Housing for circular connector



1605881

<https://www.phoenixcontact.com/us/products/1605881>

Environmental product compliance

EU RoHS

Fulfills EU RoHS substance requirements	Yes
Exemption	6(c)

China RoHS

Environment friendly use period (EFUP)	EFUP-50
	An article-related China RoHS declaration table can be found in the download area for the respective article under "Manufacturer declaration". For all articles with EFUP-E, no China RoHS declaration table issued and required.

EU REACH SVHC

REACH candidate substance (CAS No.)	Lead(CAS: 7439-92-1)
SCIP	8ce4a16a-1c46-4015-badc-de6bb6ad3e5d

Phoenix Contact 2026 © - all rights reserved

<https://www.phoenixcontact.com>

Phoenix Contact USA
586 Fulling Mill Road
Middletown, PA 17057, United States
(+717) 944-1300
info@phoenixcon.com