

SM-36KP002 - Crimp contact

1605744

<https://www.phoenixcontact.com/us/products/1605744>

Please be informed that the data shown in this PDF document is generated from our online catalog. Please find the complete data in the user documentation. Our general terms of use for downloads are valid.

Crimp contact, series: SM, Pin, turned



The figure may differ depending on the connection area

Your advantages

- Crimping connection: vibration- and temperature-resistant assembly
- High tensile strength of the connection
- Low contact resistance
- Easy production monitoring

Commercial data

Item number	1605744
Packing unit	1 pc
Note	Made to order (non-returnable)
Sales key	AB38
Product key	ABREAH
GTIN	4046356182317
Weight per piece (including packing)	3.89 g
Weight per piece (excluding packing)	3.89 g
Customs tariff number	85366990
Country of origin	DE

SM-36KP002 - Crimp contact



1605744

<https://www.phoenixcontact.com/us/products/1605744>

Technical data

Product properties

Product type	Crimp contact
Series	SM
Contact material type	turned

Connection data

Connection technology

Contact connection type	Pin
-------------------------	-----

Mechanical properties

Mechanical data

Insertion/withdrawal cycles	100
-----------------------------	-----

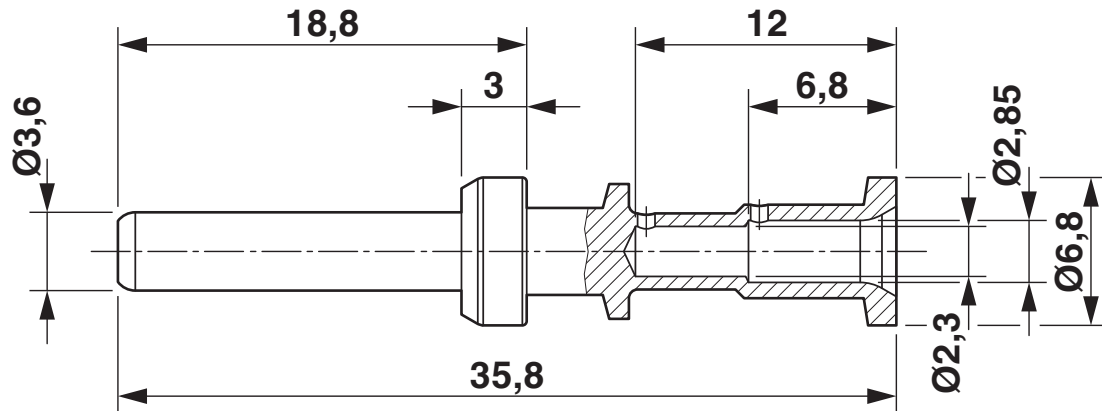
SM-36KP002 - Crimp contact

1605744

<https://www.phoenixcontact.com/us/products/1605744>

Drawings

Dimensional drawing



SM-36KP002 - Crimp contact



1605744

<https://www.phoenixcontact.com/us/products/1605744>

Environmental product compliance

EU RoHS

Fulfills EU RoHS substance requirements	Yes
Exemption	6(c)

China RoHS

Environment friendly use period (EFUP)	EFUP-50
	An article-related China RoHS declaration table can be found in the download area for the respective article under "Manufacturer declaration". For all articles with EFUP-E, no China RoHS declaration table issued and required.

EU REACH SVHC

REACH candidate substance (CAS No.)	No substance above 0.1 wt%
-------------------------------------	----------------------------

Phoenix Contact 2026 © - all rights reserved
<https://www.phoenixcontact.com>

Phoenix Contact USA
586 Fulling Mill Road
Middletown, PA 17057, United States
(+717) 944-1300
info@phoenixcon.com