

HC-B 24-ESTQ-2,5-48-OLOGO - Contact insert



1605671

<https://www.phoenixcontact.com/us/products/1605671>

Please be informed that the data shown in this PDF document is generated from our online catalog. Please find the complete data in the user documentation. Our general terms of use for downloads are valid.

Contact insert, size: B24, QUICKON connection, 500 V, 16 A, 0.34 mm² ... 2.5 mm²



Product description

Contact insert

With QUICKON connection technology, the wires are connected with just a turn of the screwdriver. The wires do not have to be stripped first. This reduces connection time by at least 60%.

Your advantages

- Shock and vibration-resistant in accordance with DIN EN 61373

Commercial data

Item number	1605671
Packing unit	10 pc
Minimum order quantity	10 pc
Product key	AF7ABC
GTIN	4017918940874
Weight per piece (including packing)	118.56 g
Weight per piece (excluding packing)	118.56 g
Country of origin	PL

HC-B 24-ESTQ-2,5-48-OLOGO - Contact insert



1605671

<https://www.phoenixcontact.com/us/products/1605671>

Technical data

Mounting

Assembly note	To ensure correct use, installation in housing with IP54 protection or better is required
---------------	---

Product properties

Product type	Contact insert with a fixed no. of positions
Type	B24
	B48
Number of positions	24

Insulation characteristics

Overvoltage category	III
Degree of pollution	3

Dimensions

Mechanical characteristics

Contact diameter	2.5 mm
------------------	--------

Connection data

Connection technology

Connection technology	QUICKON connection
	QUICKON connection

Conductor connection

Conductor cross-section	0.34 mm ² ... 2.5 mm ² (Litz wire structure VDE 0295, Class 1 - 5/litz wire diameter \geq 0.2 mm)
Connection cross section AWG	22 ... 14
Tightening torque	0.8 Nm ... 1.2 Nm (PE connection)
	0.5 Nm ... 0.8 Nm (Mounting screws for mounting in the HEAVYCON housing)

Electrical properties

Rated voltage (III/3)	500 V
	500 V
Rated surge voltage	6 kV
	6 kV
Rated current	16 A
	16 A

Mechanical properties

Mechanical data

Insertion/withdrawal cycles	\geq 500
-----------------------------	------------

HC-B 24-ESTQ-2,5-48-OLOGO - Contact insert



1605671

<https://www.phoenixcontact.com/us/products/1605671>

Material specifications

Flammability rating according to UL 94	V0
--	----

Environmental and real-life conditions

Ambient conditions

Ambient temperature (operation)	-40 °C ... 125 °C
---------------------------------	-------------------

HC-B 24-ESTQ-2,5-48-OLOGO - Contact insert

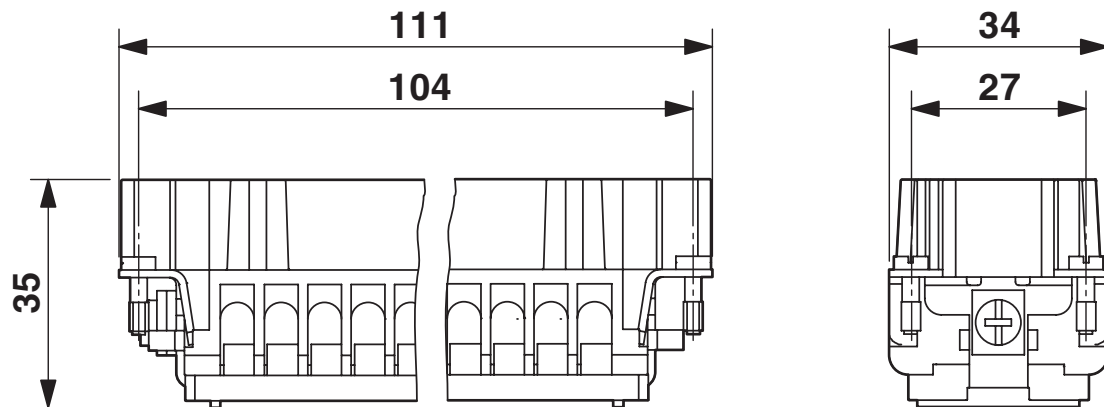


1605671

<https://www.phoenixcontact.com/us/products/1605671>

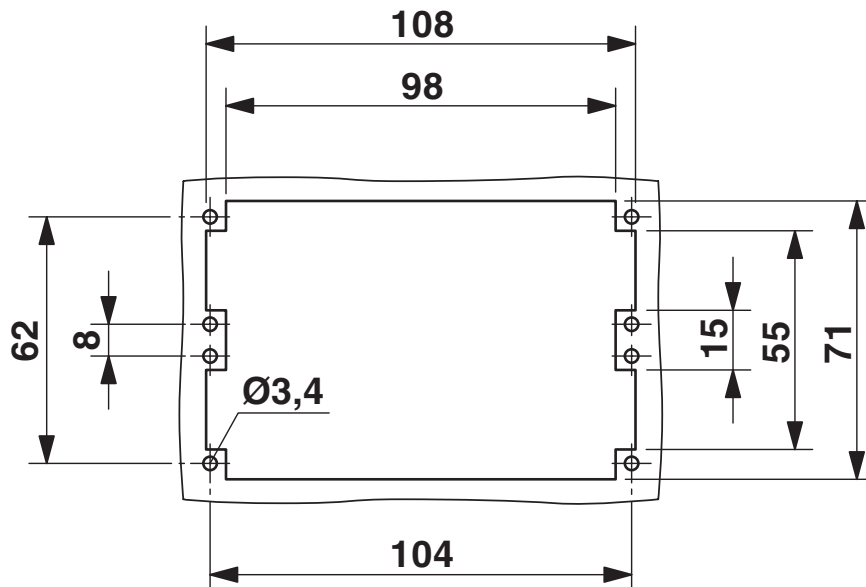
Drawings

Dimensional drawing



Male insert

Dimensional drawing



Mounting cutout when used without housing

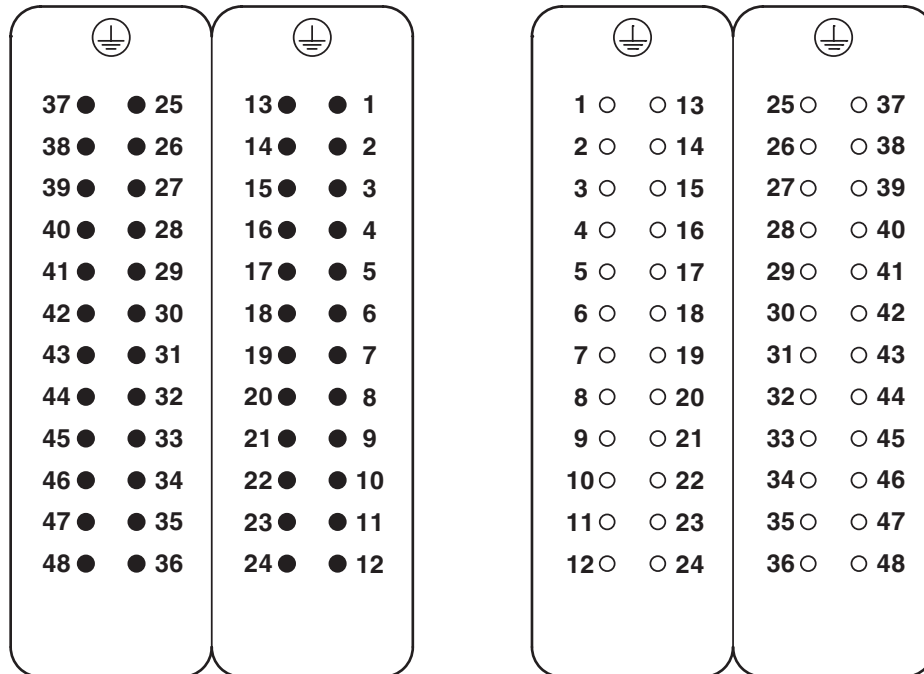
HC-B 24-ESTQ-2,5-48-OLOGO - Contact insert



1605671

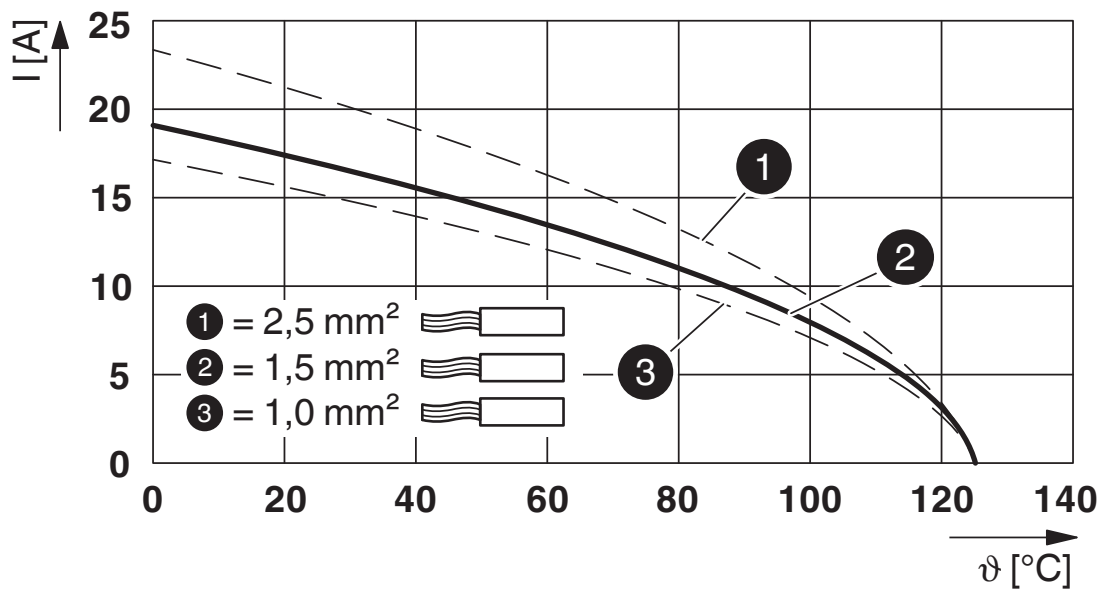
<https://www.phoenixcontact.com/us/products/1605671>

Schematic diagram



Connector pin assignment, connection side

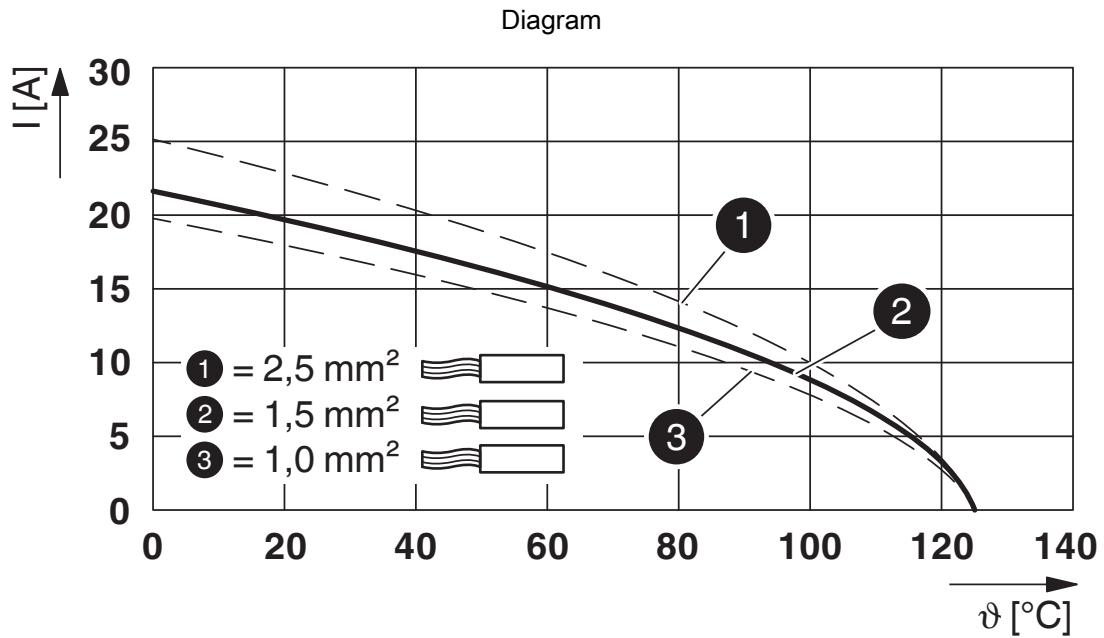
Diagram



Derating diagram for flexible conductors

1605671

<https://www.phoenixcontact.com/us/products/1605671>



Derating diagram for solid conductors

HC-B 24-ESTQ-2,5-48-OLOGO - Contact insert



1605671

<https://www.phoenixcontact.com/us/products/1605671>

Approvals

To download certificates, visit the product detail page: <https://www.phoenixcontact.com/us/products/1605671>



EAC

Approval ID: RU C-DE.AI30.B.01102

HC-B 24-ESTQ-2,5-48-OLOGO - Contact insert



1605671

<https://www.phoenixcontact.com/us/products/1605671>

Classifications

ECLASS

ECLASS-13.0	27440205
ECLASS-15.0	27440205

ETIM

ETIM 10.0	EC000438
-----------	----------

UNSPSC

UNSPSC 21.0	39121500
-------------	----------

HC-B 24-ESTQ-2,5-48-OLOGO - Contact insert



1605671

<https://www.phoenixcontact.com/us/products/1605671>

Environmental product compliance

EU RoHS

Fulfills EU RoHS substance requirements	Yes, No exemptions
---	--------------------

China RoHS

Environment friendly use period (EFUP)	EFUP-E
	No hazardous substances above the limits

EU REACH SVHC

REACH candidate substance (CAS No.)	No substance above 0.1 wt%
-------------------------------------	----------------------------

Phoenix Contact 2026 © - all rights reserved
<https://www.phoenixcontact.com>

Phoenix Contact USA
586 Fulling Mill Road
Middletown, PA 17057, United States
(+717) 944-1300
info@phoenixcon.com