

# HC-B 24-ESTQ-2,5-48 - Contact insert



1605666

<https://www.phoenixcontact.com/us/products/1605666>

Please be informed that the data shown in this PDF document is generated from our online catalog. Please find the complete data in the user documentation. Our general terms of use for downloads are valid.



Contact insert, number of positions: 24+PE, size: B24, Pin, QUICKON connection, 500 V, 16 A, 0.34 mm<sup>2</sup> ... 2.5 mm<sup>2</sup>

## Product description

Contact insert

With QUICKON connection technology, the wires are connected with just a turn of the screwdriver. The wires do not have to be stripped first. This reduces connection time by at least 60%.

## Your advantages

- Shock and vibration-resistant in accordance with DIN EN 61373

## Commercial data

Item number	1605666
Packing unit	10 pc
Minimum order quantity	1 pc
Sales key	BF61
Product key	AF7ABC
GTIN	4017918940751
Weight per piece (including packing)	119.14 g
Weight per piece (excluding packing)	119.14 g
Customs tariff number	85366990
Country of origin	PL

# HC-B 24-ESTQ-2,5-48 - Contact insert



1605666

<https://www.phoenixcontact.com/us/products/1605666>

## Technical data

### Mounting

Assembly note	To ensure correct use, installation in housing with IP54 protection or better is required
---------------	---

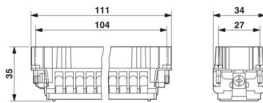
### Product properties

Product type	Contact insert with a fixed no. of positions
Series	HC-B
Type	B24 B48
Number of positions	24
Connection profile	24+PE
Contact numbering	1 - 24
Contact material type	rolled

### Insulation characteristics

Overvoltage category	III
Degree of pollution	3

### Dimensions

Dimensional drawing	
Width	34 mm
Height	35 mm
Length	111 mm
Drill hole distance, horizontal	104 mm
Drill hole distance, vertical	27 mm

### Mechanical characteristics

Contact diameter	2.5 mm
------------------	--------

### Connection data

#### Connection technology

Connection technology	QUICKON connection
-----------------------	--------------------

#### Conductor connection

Conductor cross-section	0.34 mm <sup>2</sup> ... 2.5 mm <sup>2</sup> (Litz wire structure VDE 0295, Class 1 - 5/litz wire diameter $\geq$ 0.2 mm)
Connection cross section AWG	22 ... 14
Tightening torque	0.8 Nm ... 1.2 Nm (PE connection) 0.5 Nm ... 0.8 Nm (Mounting screws for mounting in the

# HC-B 24-ESTQ-2,5-48 - Contact insert



1605666

<https://www.phoenixcontact.com/us/products/1605666>

HEAVYCON housing)

## Electrical properties

Rated voltage (III/3)	500 V
	500 V
Rated surge voltage	6 kV
	6 kV
Rated current	16 A
	16 A

## Mechanical properties

### Mechanical data

Insertion/withdrawal cycles	≥ 500
-----------------------------	-------

## Material specifications

Flammability rating according to UL 94	V0
Contact material	Copper alloy
Contact surface material	Ag
Contact carrier material	PA
Standards/regulations	PA
	PA

## Environmental and real-life conditions

### Ambient conditions

Ambient temperature (operation)	-40 °C ... 125 °C (including heating up of contacts)
Ambient temperature (assembly)	-25 °C ... 50 °C

## Standards and regulations

### Testing

Standards/regulations	PA: Fire protection in rail vehicles - requirement sets R22 and R23 acc. to DIN EN 45545-2 (Risk level HL1 - HL2)
	PA: Fire protection in rail vehicles - requirement set R24 acc. to DIN EN 45545-2 (Risk level HL1 - HL3)

# HC-B 24-ESTQ-2,5-48 - Contact insert

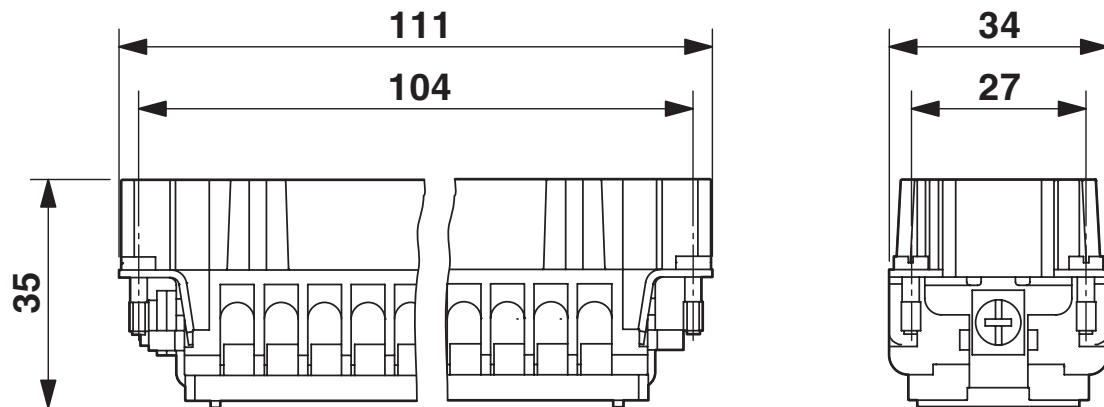


1605666

<https://www.phoenixcontact.com/us/products/1605666>

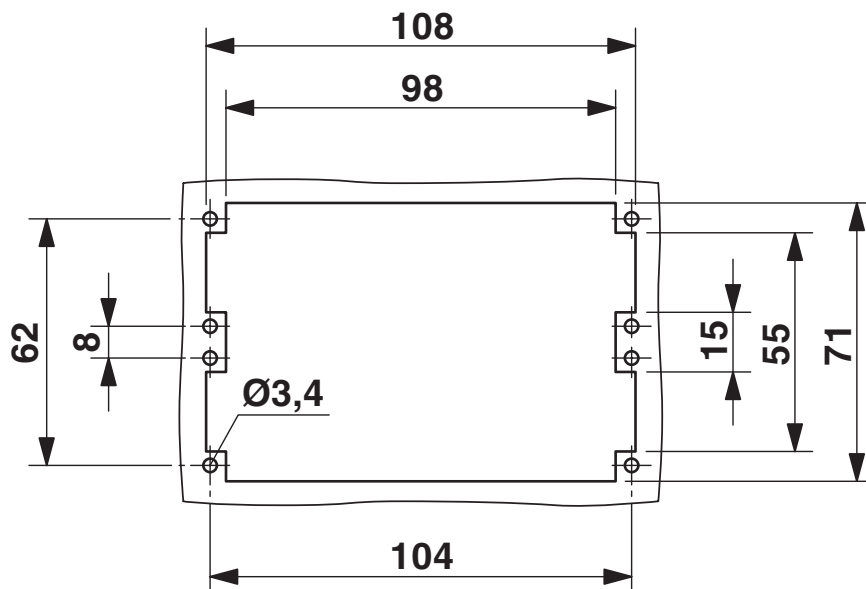
## Drawings

Dimensional drawing



## Male insert

Dimensional drawing



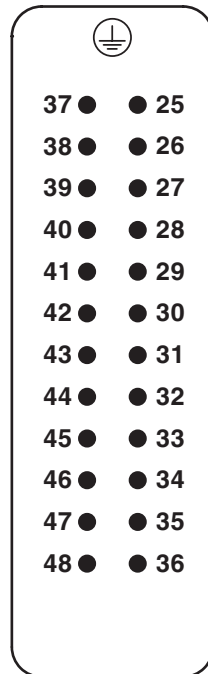
Mounting cutout when used without housing

# HC-B 24-ESTQ-2,5-48 - Contact insert

1605666

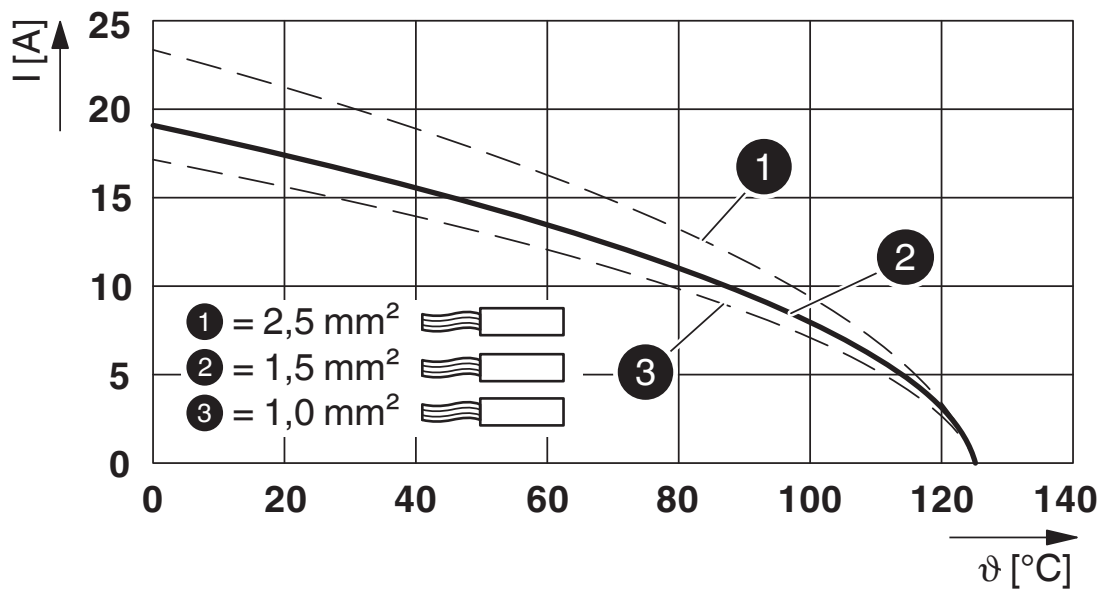
<https://www.phoenixcontact.com/us/products/1605666>

Schematic diagram



Connector pin assignment, connection side

Diagram



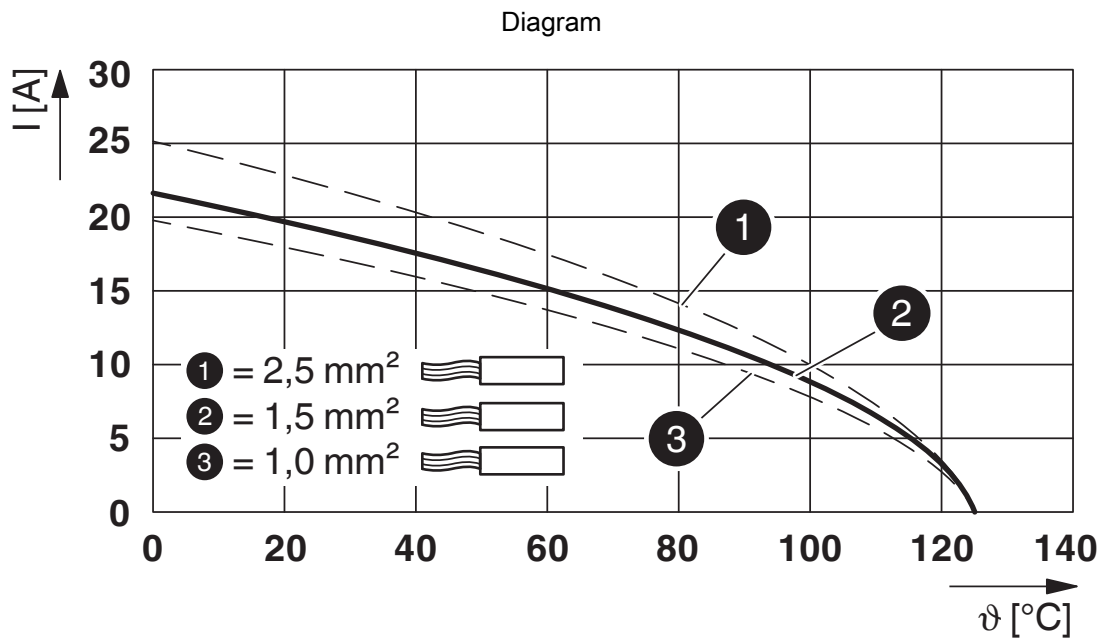
Derating diagram for flexible conductors

# HC-B 24-ESTQ-2,5-48 - Contact insert



1605666

<https://www.phoenixcontact.com/us/products/1605666>



Derating diagram for solid conductors

# HC-B 24-ESTQ-2,5-48 - Contact insert



1605666

<https://www.phoenixcontact.com/us/products/1605666>

## Approvals

To download certificates, visit the product detail page: <https://www.phoenixcontact.com/us/products/1605666>

**DNV**

Approval ID: TAE000037S



**CSA**

Approval ID: 013631\_6233\_01



**cUL Recognized**

Approval ID: E118976



**UL Recognized**

Approval ID: E118976

# HC-B 24-ESTQ-2,5-48 - Contact insert



1605666

<https://www.phoenixcontact.com/us/products/1605666>

## Classifications

### ECLASS

ECLASS-13.0	27440205
ECLASS-15.0	27440205

### ETIM

ETIM 10.0	EC000438
-----------	----------

### UNSPSC

UNSPSC 21.0	39121500
-------------	----------

# HC-B 24-ESTQ-2,5-48 - Contact insert



1605666

<https://www.phoenixcontact.com/us/products/1605666>

## Environmental product compliance

### EU RoHS

Fulfills EU RoHS substance requirements	Yes, No exemptions
---	--------------------

### China RoHS

Environment friendly use period (EFUP)	EFUP-E
	No hazardous substances above the limits

### EU REACH SVHC

REACH candidate substance (CAS No.)	No substance above 0.1 wt%
-------------------------------------	----------------------------

### EF3.1 Climate Change

CO2e kg	1.116 kg CO2e
---------	---------------

Phoenix Contact 2026 © - all rights reserved  
<https://www.phoenixcontact.com>

Phoenix Contact USA  
586 Fulling Mill Road  
Middletown, PA 17057, United States  
(+717) 944-1300  
[info@phoenixcon.com](mailto:info@phoenixcon.com)