

HC-B 16-ESTQ-2,5-OLOGO - Contact insert



1605642

<https://www.phoenixcontact.com/us/products/1605642>

Please be informed that the data shown in this PDF document is generated from our online catalog. Please find the complete data in the user documentation. Our general terms of use for downloads are valid.

Contact insert, size: B16, QUICKON connection, 500 V, 16 A, 0.34 mm² ... 2.5 mm²



Product description

Contact insert

With QUICKON connection technology, the wires are connected with just a turn of the screwdriver. The wires do not have to be stripped first. This reduces connection time by at least 60%.

Your advantages

- Shock and vibration-resistant in accordance with DIN EN 61373

Commercial data

Item number	1605642
Packing unit	10 pc
Minimum order quantity	10 pc
Product key	AF7ABC
GTIN	4017918940843
Weight per piece (including packing)	90.4 g
Weight per piece (excluding packing)	90.4 g
Country of origin	PL

HC-B 16-ESTQ-2,5-OLOGO - Contact insert



1605642

<https://www.phoenixcontact.com/us/products/1605642>

Technical data

Mounting

Assembly note	To ensure correct use, installation in housing with IP54 protection or better is required
---------------	---

Product properties

Product type	Contact insert with a fixed no. of positions
Type	B16 B32
Number of positions	16

Insulation characteristics

Overvoltage category	III
Degree of pollution	3

Dimensions

Mechanical characteristics

Contact diameter	2.5 mm
------------------	--------

Connection data

Connection technology

Connection technology	QUICKON connection QUICKON connection
-----------------------	--

Conductor connection

Conductor cross-section	0.34 mm ² ... 2.5 mm ² (Litz wire structure VDE 0295, Class 1 - 5/litz wire diameter \geq 0.2 mm)
Connection cross section AWG	22 ... 14
Tightening torque	0.8 Nm ... 1.2 Nm (PE connection) 0.5 Nm ... 0.8 Nm (Mounting screws for mounting in the HEAVYCON housing)

Electrical properties

Rated voltage (III/3)	500 V
	500 V
Rated surge voltage	6 kV
	6 kV
Rated current	16 A
	16 A

Mechanical properties

Mechanical data

Insertion/withdrawal cycles	\geq 500
-----------------------------	------------

HC-B 16-ESTQ-2,5-OLOGO - Contact insert



1605642

<https://www.phoenixcontact.com/us/products/1605642>

Material specifications

Flammability rating according to UL 94	V0
--	----

Environmental and real-life conditions

Ambient conditions

Ambient temperature (operation)	-40 °C ... 125 °C
---------------------------------	-------------------

HC-B 16-ESTQ-2,5-OLOGO - Contact insert

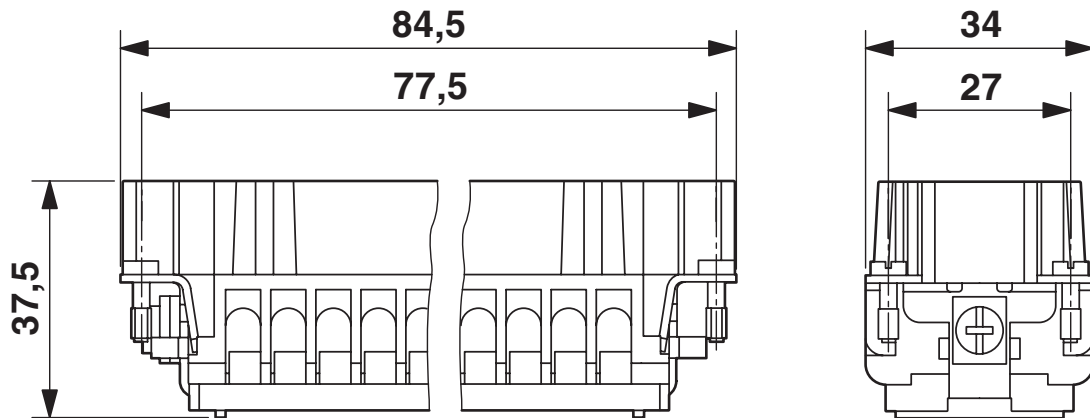


1605642

<https://www.phoenixcontact.com/us/products/1605642>

Drawings

Dimensional drawing



Male insert

Dimensional drawing



Mounting cutout when used without housing

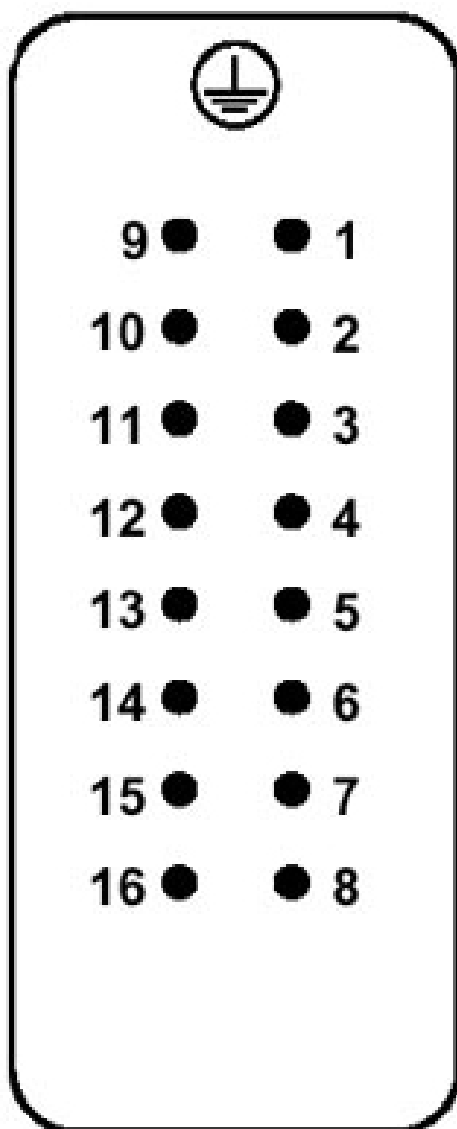
HC-B 16-ESTQ-2,5-OLOGO - Contact insert

1605642

<https://www.phoenixcontact.com/us/products/1605642>

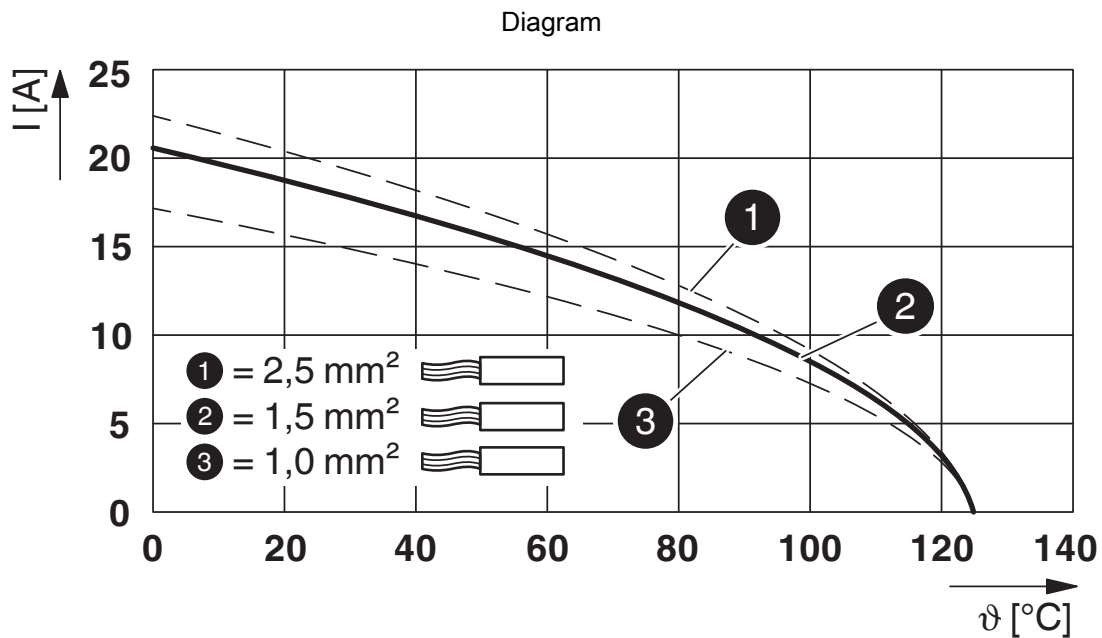


Schematic diagram

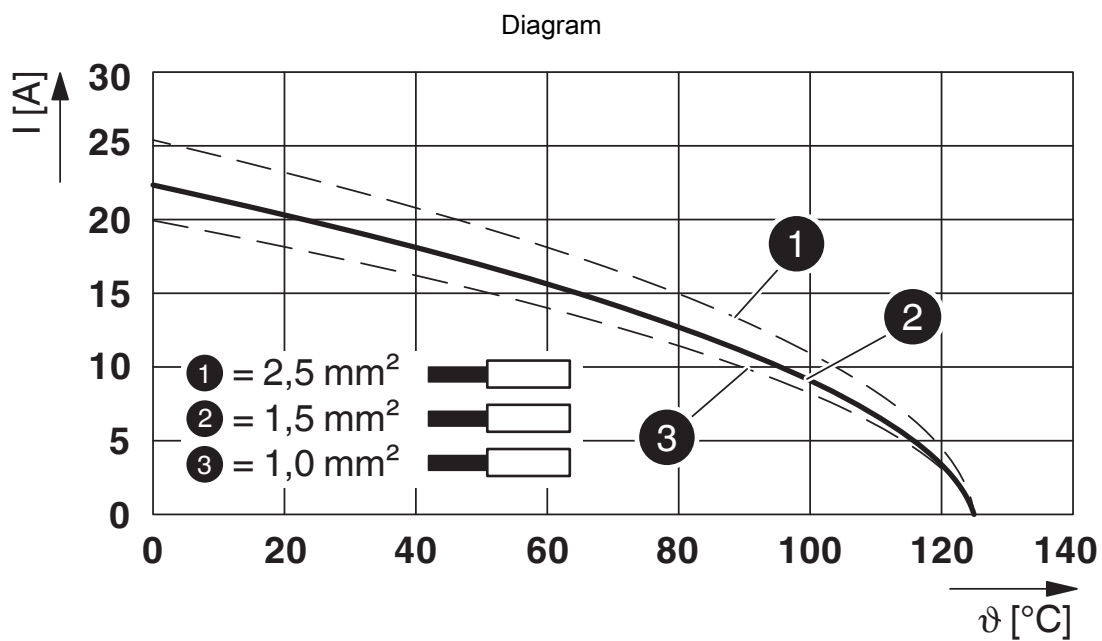


1605642

<https://www.phoenixcontact.com/us/products/1605642>



Derating diagram for flexible conductors



Derating diagram for solid conductors

HC-B 16-ESTQ-2,5-OLOGO - Contact insert



1605642

<https://www.phoenixcontact.com/us/products/1605642>

Approvals

To download certificates, visit the product detail page: <https://www.phoenixcontact.com/us/products/1605642>



EAC

Approval ID: RU C-DE.AI30.B.01102

HC-B 16-ESTQ-2,5-OLOGO - Contact insert



1605642

<https://www.phoenixcontact.com/us/products/1605642>

Classifications

ECLASS

ECLASS-13.0	27440205
ECLASS-15.0	27440205

ETIM

ETIM 10.0	EC000438
-----------	----------

UNSPSC

UNSPSC 21.0	39121500
-------------	----------

HC-B 16-ESTQ-2,5-OLOGO - Contact insert



1605642

<https://www.phoenixcontact.com/us/products/1605642>

Environmental product compliance

EU RoHS

Fulfills EU RoHS substance requirements	Yes, No exemptions
---	--------------------

China RoHS

Environment friendly use period (EFUP)	EFUP-E
	No hazardous substances above the limits

EU REACH SVHC

REACH candidate substance (CAS No.)	No substance above 0.1 wt%
-------------------------------------	----------------------------

EF3.1 Climate Change

CO2e kg	0.838 kg CO2e
---------	---------------

Phoenix Contact 2026 © - all rights reserved
<https://www.phoenixcontact.com>

Phoenix Contact USA
586 Fulling Mill Road
Middletown, PA 17057, United States
(+717) 944-1300
info@phoenixcon.com