

# HC-B 24-EBUQ-2,5-48-OLOGO - Contact insert



1605613

<https://www.phoenixcontact.com/us/products/1605613>

Please be informed that the data shown in this PDF document is generated from our online catalog. Please find the complete data in the user documentation. Our general terms of use for downloads are valid.

Contact insert, size: B24, QUICKON connection, 500 V, 16 A, 0.34 mm<sup>2</sup> ... 2.5 mm<sup>2</sup>



## Product description

### Contact insert

With QUICKON connection technology, the wires are connected with just a turn of the screwdriver. The wires do not have to be stripped first. This reduces connection time by at least 60%.

## Your advantages

- Shock and vibration-resistant in accordance with DIN EN 61373

## Commercial data

Item number	1605613
Packing unit	10 pc
Minimum order quantity	10 pc
Product key	AF7ABC
GTIN	4017918940812
Weight per piece (including packing)	126.7 g
Weight per piece (excluding packing)	126.7 g
Country of origin	PL

# HC-B 24-EBUQ-2,5-48-OLOGO - Contact insert



1605613

<https://www.phoenixcontact.com/us/products/1605613>

## Technical data

### Mounting

Assembly note	To ensure correct use, installation in housing with IP54 protection or better is required
---------------	---

### Product properties

Product type	Contact insert with a fixed no. of positions
Type	B24
	B48
Number of positions	24

### Insulation characteristics

Overvoltage category	III
Degree of pollution	3

### Dimensions

#### Mechanical characteristics

Contact diameter	2.5 mm
------------------	--------

### Connection data

#### Connection technology

Connection technology	QUICKON connection
	QUICKON connection

#### Conductor connection

Conductor cross-section	0.34 mm <sup>2</sup> ... 2.5 mm <sup>2</sup> (Litz wire structure VDE 0295, Class 1 - 5/litz wire diameter $\geq$ 0.2 mm)
Connection cross section AWG	22 ... 14
Tightening torque	0.8 Nm ... 1.2 Nm (PE connection)
	0.5 Nm ... 0.8 Nm (Mounting screws for mounting in the HEAVYCON housing)

### Electrical properties

Rated voltage (III/3)	500 V
	500 V
Rated surge voltage	6 kV
	6 kV
Rated current	16 A
	16 A

### Mechanical properties

#### Mechanical data

Insertion/withdrawal cycles	$\geq$ 500
-----------------------------	------------

# HC-B 24-EBUQ-2,5-48-OLOGO - Contact insert



1605613

<https://www.phoenixcontact.com/us/products/1605613>

## Material specifications

Flammability rating according to UL 94	V0
--	----

## Environmental and real-life conditions

### Ambient conditions

Ambient temperature (operation)	-40 °C ... 125 °C
---------------------------------	-------------------

# HC-B 24-EBUQ-2,5-48-OLOGO - Contact insert

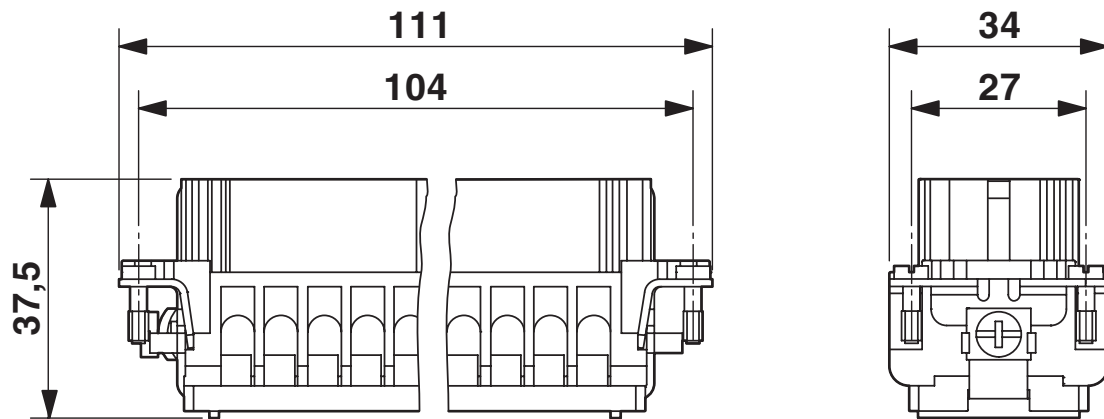


1605613

<https://www.phoenixcontact.com/us/products/1605613>

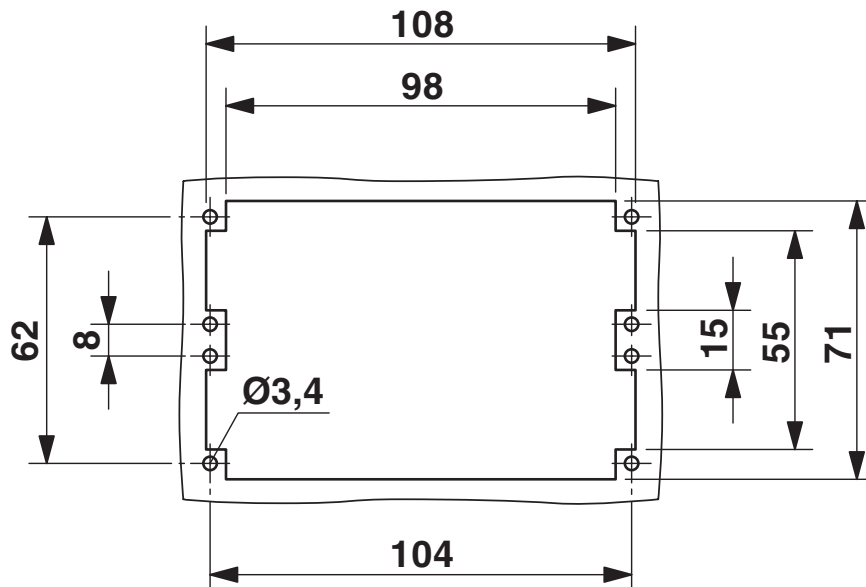
## Drawings

Dimensional drawing



## Female insert

Dimensional drawing

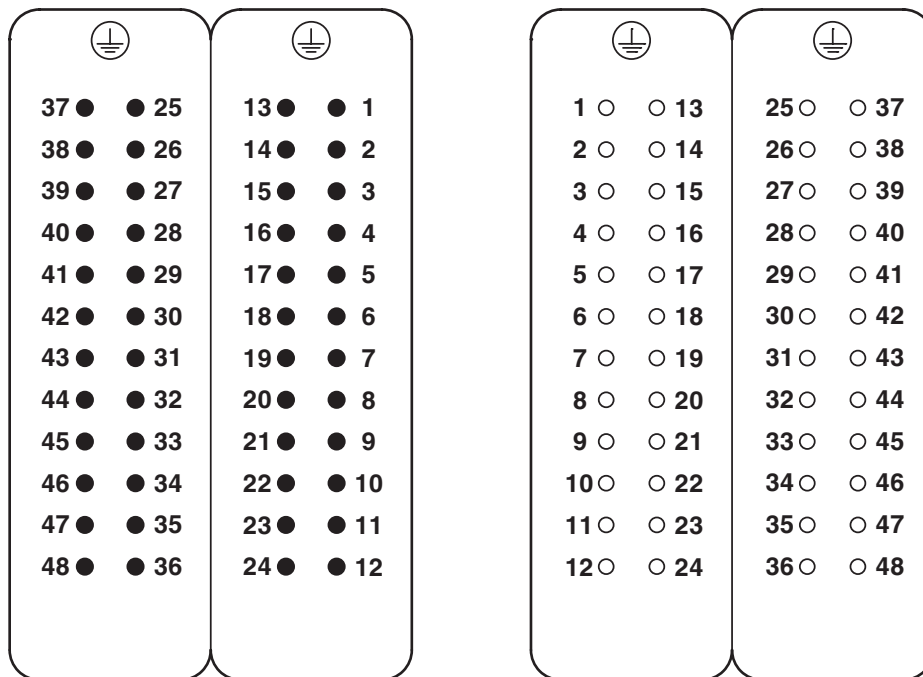


Mounting cutout when used without housing

1605613

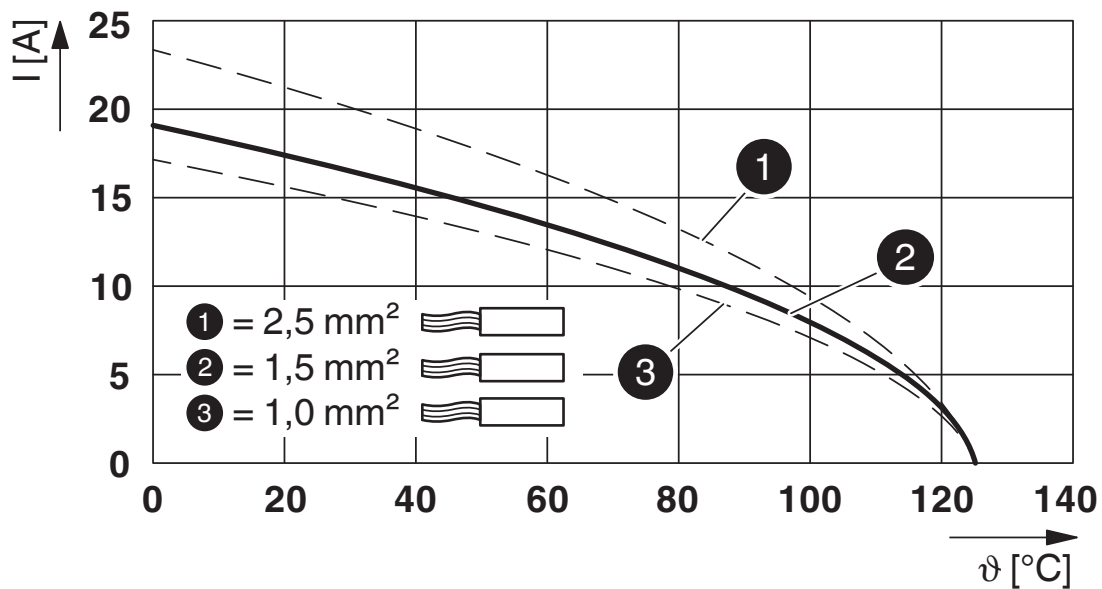
<https://www.phoenixcontact.com/us/products/1605613>

Schematic diagram



Connector pin assignment, connection side

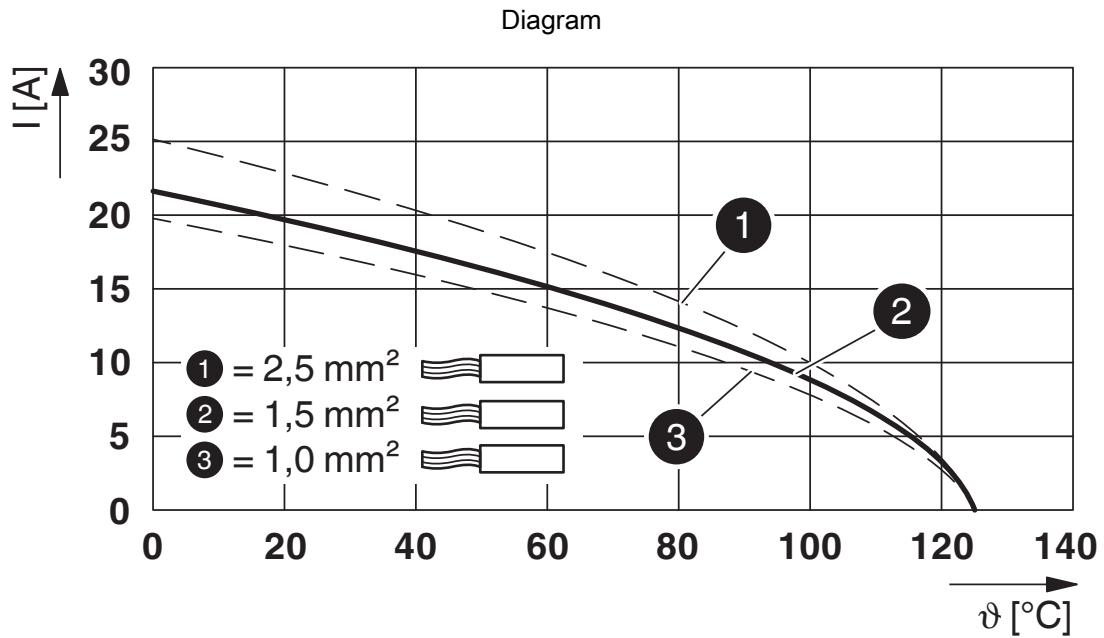
Diagram



Derating diagram for flexible conductors

1605613

<https://www.phoenixcontact.com/us/products/1605613>



Derating diagram for solid conductors

# HC-B 24-EBUQ-2,5-48-OLOGO - Contact insert



1605613

<https://www.phoenixcontact.com/us/products/1605613>

## Approvals

To download certificates, visit the product detail page: <https://www.phoenixcontact.com/us/products/1605613>



**EAC**

Approval ID: RU C-DE.AI30.B.01102

# HC-B 24-EBUQ-2,5-48-OLOGO - Contact insert



1605613

<https://www.phoenixcontact.com/us/products/1605613>

## Classifications

### ECLASS

ECLASS-13.0	27440205
ECLASS-15.0	27440205

### ETIM

ETIM 10.0	EC000438
-----------	----------

### UNSPSC

UNSPSC 21.0	39121500
-------------	----------

# HC-B 24-EBUQ-2,5-48-OLOGO - Contact insert



1605613

<https://www.phoenixcontact.com/us/products/1605613>

## Environmental product compliance

### EU RoHS

Fulfills EU RoHS substance requirements	Yes, No exemptions
---	--------------------

### China RoHS

Environment friendly use period (EFUP)	EFUP-E
	No hazardous substances above the limits

### EU REACH SVHC

REACH candidate substance (CAS No.)	No substance above 0.1 wt%
-------------------------------------	----------------------------

### EF3.1 Climate Change

CO2e kg	1.206 kg CO2e
---------	---------------

Phoenix Contact 2026 © - all rights reserved  
<https://www.phoenixcontact.com>

Phoenix Contact USA  
586 Fulling Mill Road  
Middletown, PA 17057, United States  
(+717) 944-1300  
[info@phoenixcon.com](mailto:info@phoenixcon.com)