

HC-B 16-EBUQ-2,5-32 - Contact insert



1605598

<https://www.phoenixcontact.com/us/products/1605598>

Please be informed that the data shown in this PDF document is generated from our online catalog. Please find the complete data in the user documentation. Our general terms of use for downloads are valid.



Contact insert, number of positions: 16+PE, size: B16, Socket, QUICKON connection, 500 V, 16 A, 0.34 mm² ... 2.5 mm²

Product description

Contact insert

With QUICKON connection technology, the wires are connected with just a turn of the screwdriver. The wires do not have to be stripped first. This reduces connection time by at least 60%.

Your advantages

- Shock and vibration-resistant in accordance with DIN EN 61373

Commercial data

Item number	1605598
Packing unit	10 pc
Minimum order quantity	1 pc
Sales key	BF61
Product key	AF7ABC
GTIN	4017918940683
Weight per piece (including packing)	96.41 g
Weight per piece (excluding packing)	95.93 g
Customs tariff number	85366990
Country of origin	PL

HC-B 16-EBUQ-2,5-32 - Contact insert



1605598

<https://www.phoenixcontact.com/us/products/1605598>

Technical data

Mounting

Assembly note	To ensure correct use, installation in housing with IP54 protection or better is required
---------------	---

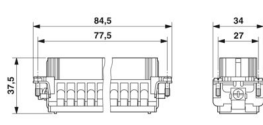
Product properties

Product type	Contact insert with a fixed no. of positions
Series	HC-B
Type	B16 B32
Number of positions	16
Connection profile	16+PE
Contact numbering	17 - 32
Contact material type	rolled

Insulation characteristics

Overvoltage category	III
Degree of pollution	3

Dimensions

Dimensional drawing	
Width	34 mm
Height	37 mm
Length	84.5 mm
Drill hole distance, horizontal	77.5 mm
Drill hole distance, vertical	27 mm

Mechanical characteristics

Contact diameter	2.5 mm
------------------	--------

Connection data

Connection technology

Connection technology	QUICKON connection
-----------------------	--------------------

Conductor connection

Conductor cross-section	0.34 mm ² ... 2.5 mm ² (Litz wire structure VDE 0295, Class 1 - 5/litz wire diameter \geq 0.2 mm)
Connection cross section AWG	22 ... 14
Tightening torque	0.8 Nm ... 1.2 Nm (PE connection) 0.5 Nm ... 0.8 Nm (Mounting screws for mounting in the HEAVYCON housing)

HC-B 16-EBUQ-2,5-32 - Contact insert



1605598

<https://www.phoenixcontact.com/us/products/1605598>

Electrical properties

Rated voltage (III/3)	500 V
	500 V
Rated surge voltage	6 kV
	6 kV
Rated current	16 A
	16 A

Mechanical properties

Mechanical data

Insertion/withdrawal cycles	≥ 500
-----------------------------	-------

Material specifications

Material Wire insulation	PVC / PE
Flammability rating according to UL 94	V0
Contact material	Copper alloy
Contact surface material	Ag
Contact carrier material	PA
Standards/regulations	PA
	PA

Environmental and real-life conditions

Ambient conditions

Ambient temperature (operation)	-40 °C ... 125 °C (including heating up of contacts)
Ambient temperature (assembly)	-25 °C ... 50 °C

Standards and regulations

Testing

Standards/regulations	PA: Fire protection in rail vehicles - requirement sets R22 and R23 acc. to DIN EN 45545-2 (Risk level HL1 - HL2)
	PA: Fire protection in rail vehicles - requirement set R24 acc. to DIN EN 45545-2 (Risk level HL1 - HL3)

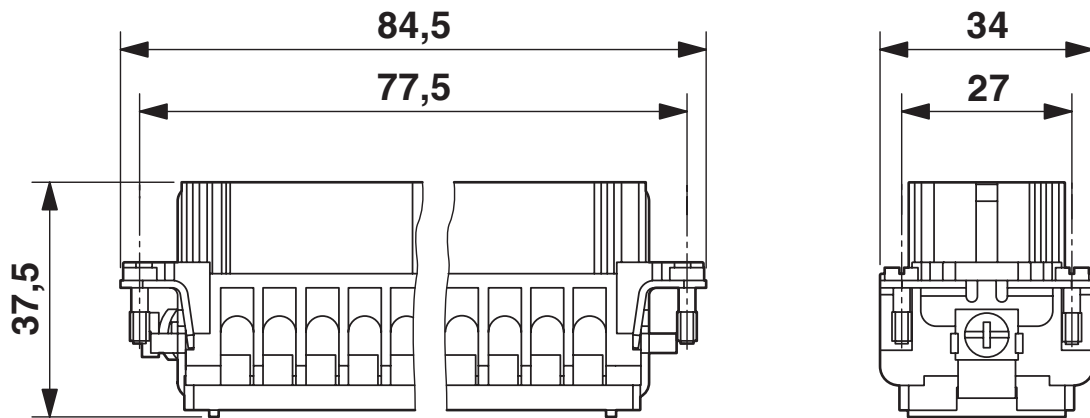
HC-B 16-EBUQ-2,5-32 - Contact insert

1605598

<https://www.phoenixcontact.com/us/products/1605598>

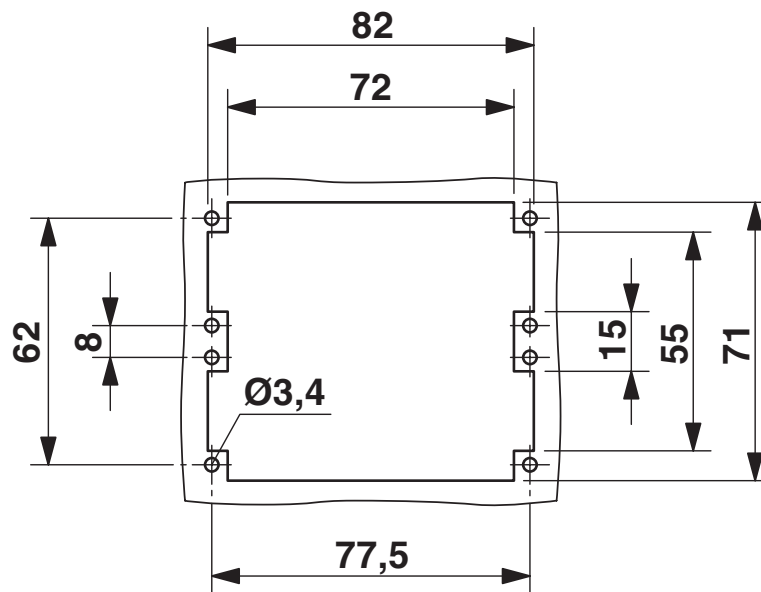
Drawings

Dimensional drawing



Female insert

Dimensional drawing



Mounting cutout when used without housing

HC-B 16-EBUQ-2,5-32 - Contact insert



1605598

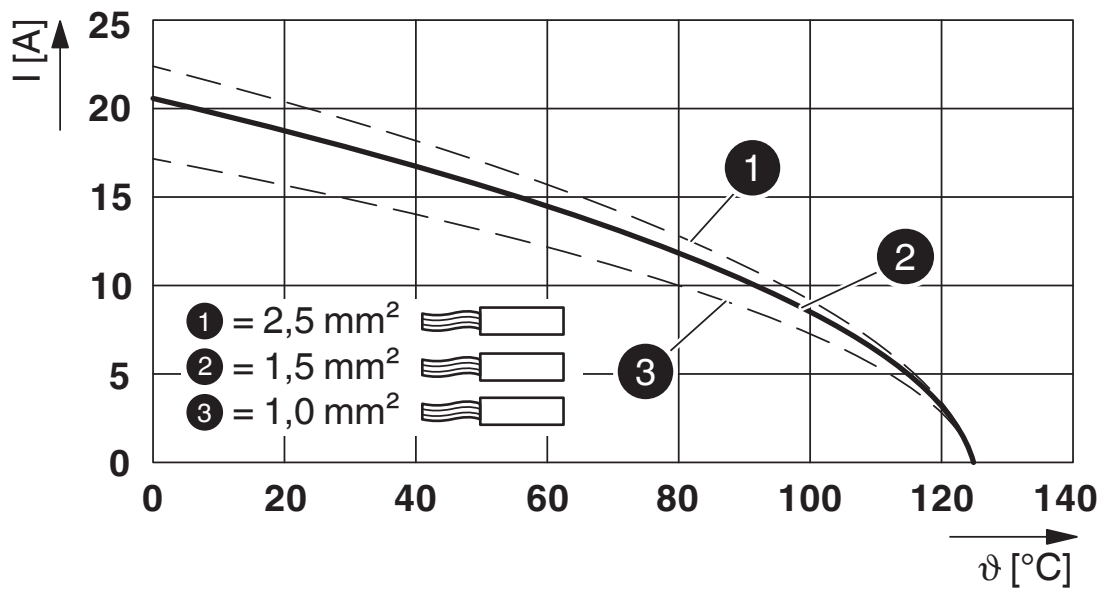
<https://www.phoenixcontact.com/us/products/1605598>

Schematic diagram



Connector pin assignment, connection side

Diagram



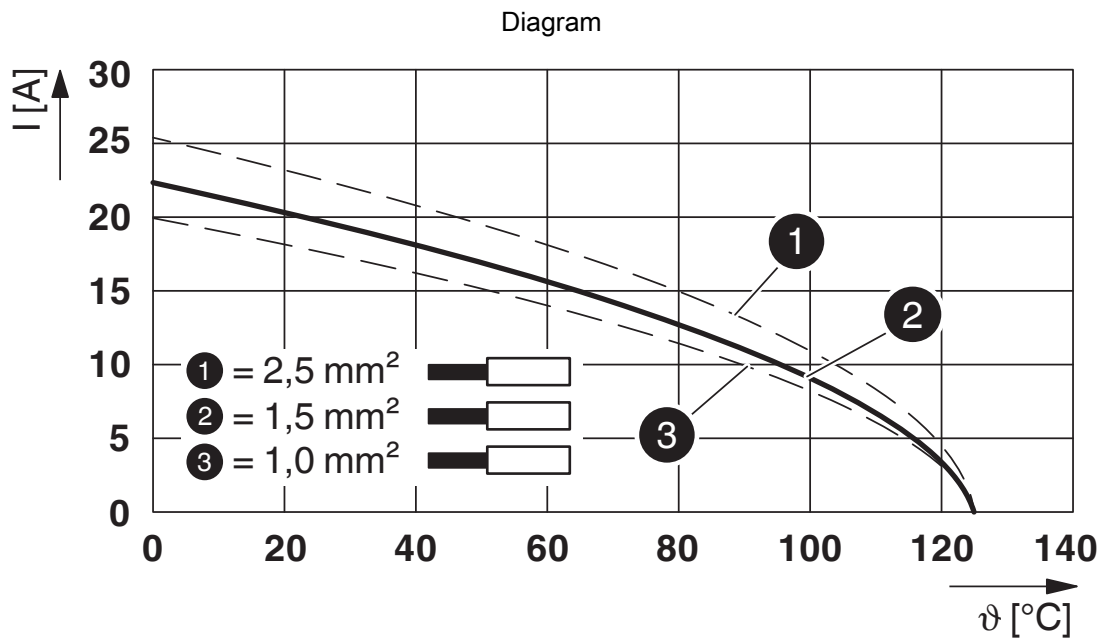
Derating diagram for flexible conductors

HC-B 16-EBUQ-2,5-32 - Contact insert



1605598

<https://www.phoenixcontact.com/us/products/1605598>



Derating diagram for solid conductors

HC-B 16-EBUQ-2,5-32 - Contact insert



1605598

<https://www.phoenixcontact.com/us/products/1605598>

Approvals

To download certificates, visit the product detail page: <https://www.phoenixcontact.com/us/products/1605598>

DNV

Approval ID: TAE000037S



CSA

Approval ID: 013631_6233_01



cUL Recognized

Approval ID: E118976



UL Recognized

Approval ID: E118976

HC-B 16-EBUQ-2,5-32 - Contact insert



1605598

<https://www.phoenixcontact.com/us/products/1605598>

Classifications

ECLASS

ECLASS-13.0	27440205
ECLASS-15.0	27440205

ETIM

ETIM 10.0	EC000438
-----------	----------

UNSPSC

UNSPSC 21.0	39121500
-------------	----------

HC-B 16-EBUQ-2,5-32 - Contact insert



1605598

<https://www.phoenixcontact.com/us/products/1605598>

Environmental product compliance

EU RoHS

Fulfills EU RoHS substance requirements	Yes, No exemptions
---	--------------------

China RoHS

Environment friendly use period (EFUP)	EFUP-E
	No hazardous substances above the limits

EU REACH SVHC

REACH candidate substance (CAS No.)	No substance above 0.1 wt%
-------------------------------------	----------------------------

EF3.1 Climate Change

CO2e kg	1.092 kg CO2e
---------	---------------

Phoenix Contact 2026 © - all rights reserved
<https://www.phoenixcontact.com>

Phoenix Contact USA
586 Fulling Mill Road
Middletown, PA 17057, United States
(+717) 944-1300
info@phoenixcon.com