

# SC-Z2322 - Metal protective cap

1605459

<https://www.phoenixcontact.com/us/products/1605459>

Please be informed that the data shown in this PDF document is generated from our online catalog. Please find the complete data in the user documentation. Our general terms of use for downloads are valid.

Metal dust protection cap with steel wire for power plugs with M23 knurled nuts



## Commercial data

Item number	1605459
Packing unit	1 pc
Note	Made to order (non-returnable)
Sales key	AB39
Product key	ABRIFA
GTIN	4046356252959
Weight per piece (including packing)	27.72 g
Weight per piece (excluding packing)	25.25 g
Customs tariff number	74199990
Country of origin	DE

# SC-Z2322 - Metal protective cap



1605459

<https://www.phoenixcontact.com/us/products/1605459>

## Technical data

### Product properties

Product type	Protective cover
Series	RC
	UC
	RF
	SF
Thread type	M23

### Electrical properties

#### Contact

Rated surge voltage	6 kV
---------------------	------

### Material specifications

Housing material	Metal
Housing material	CuZn

### Environmental and real-life conditions

#### Ambient conditions

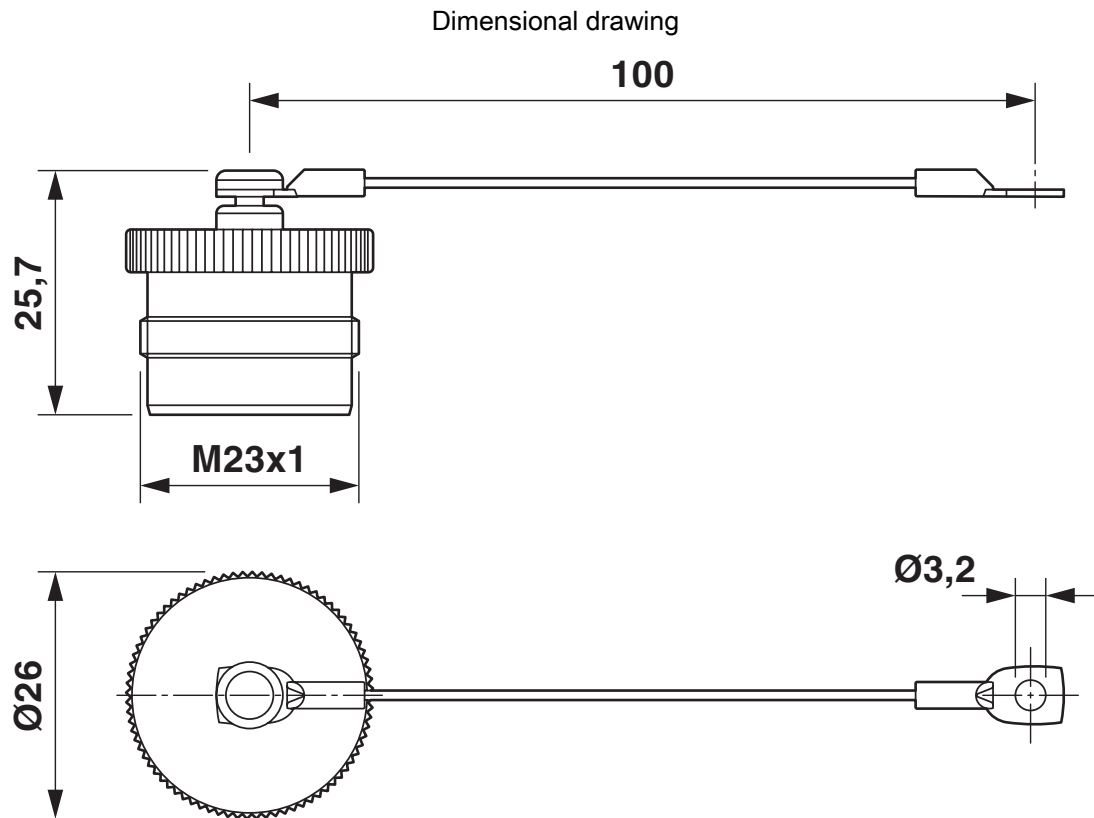
Degree of protection	IP67
----------------------	------

# SC-Z2322 - Metal protective cap

1605459

<https://www.phoenixcontact.com/us/products/1605459>

## Drawings



# SC-Z2322 - Metal protective cap



1605459

<https://www.phoenixcontact.com/us/products/1605459>

## Environmental product compliance

### China RoHS

Environment friendly use period (EFUP)	EFUP-50
	An article-related China RoHS declaration table can be found in the download area for the respective article under "Manufacturer declaration". For all articles with EFUP-E, no China RoHS declaration table issued and required.

### EU REACH SVHC

REACH candidate substance (CAS No.)	No substance above 0.1 wt%
-------------------------------------	----------------------------

Phoenix Contact 2026 © - all rights reserved  
<https://www.phoenixcontact.com>

Phoenix Contact USA  
586 Fulling Mill Road  
Middletown, PA 17057, United States  
(+717) 944-1300  
[info@phoenixcon.com](mailto:info@phoenixcon.com)