

SC-Z2320 - Metal protective cap

1605457

<https://www.phoenixcontact.com/us/products/1605457>

Please be informed that the data shown in this PDF document is generated from our online catalog. Please find the complete data in the user documentation. Our general terms of use for downloads are valid.

Metal protection cap with steel wire for power connectors with M23 external thread



Commercial data

Item number	1605457
Packing unit	10 pc
Minimum order quantity	1 pc
Sales key	AB35
Product key	ABRIFA
GTIN	4046356252935
Weight per piece (including packing)	15.9 g
Weight per piece (excluding packing)	15.399 g
Customs tariff number	74198090
Country of origin	DE

SC-Z2320 - Metal protective cap



1605457

<https://www.phoenixcontact.com/us/products/1605457>

Technical data

Product properties

Product type	Protective cap
Series	RC
	UC
	RF
	SF
Thread type	M23

Material specifications

Housing material	Metal
Housing material	CuZn

Environmental and real-life conditions

Ambient conditions

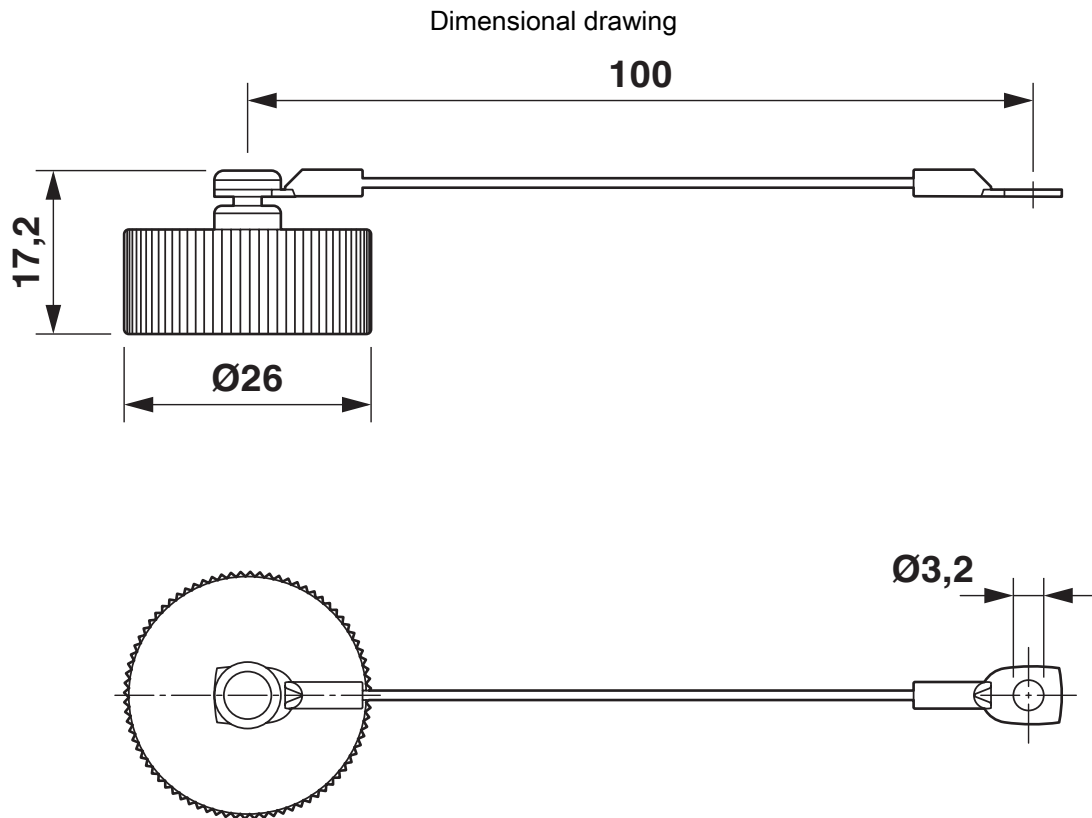
Degree of protection	IP67
----------------------	------

SC-Z2320 - Metal protective cap

1605457

<https://www.phoenixcontact.com/us/products/1605457>

Drawings



Dimensional drawing

SC-Z2320 - Metal protective cap



1605457

<https://www.phoenixcontact.com/us/products/1605457>

Classifications

ECLASS

ECLASS-13.0	27440208
ECLASS-15.0	27440208

ETIM

ETIM 10.0	EC002314
-----------	----------

UNSPSC

UNSPSC 21.0	39121400
-------------	----------

SC-Z2320 - Metal protective cap



1605457

<https://www.phoenixcontact.com/us/products/1605457>

Environmental product compliance

EU RoHS

Fulfills EU RoHS substance requirements	Yes
Exemption	6(c)

China RoHS

Environment friendly use period (EFUP)	EFUP-50
	An article-related China RoHS declaration table can be found in the download area for the respective article under "Manufacturer declaration". For all articles with EFUP-E, no China RoHS declaration table issued and required.

EU REACH SVHC

REACH candidate substance (CAS No.)	Lead(CAS: 7439-92-1)
SCIP	932a7a20-dae0-46f1-a66b-8fc67c6e0291

Phoenix Contact 2026 © - all rights reserved

<https://www.phoenixcontact.com>

Phoenix Contact USA
586 Fulling Mill Road
Middletown, PA 17057, United States
(+717) 944-1300
info@phoenixcon.com