

# HC-B 24-ESTZZ - Contact insert

1605255

<https://www.phoenixcontact.com/us/products/1605255>

Please be informed that the data shown in this PDF document is generated from our online catalog. Please find the complete data in the user documentation. Our general terms of use for downloads are valid.

HEAVYCON male insert, B24 series, 24-pos., 2 spring-cage connections per contact



## Commercial data

Item number	1605255
Packing unit	1 pc
Note	Made to order (non-returnable)
Sales key	BF61
Product key	AF7ABC
GTIN	4017918924102
Weight per piece (including packing)	169.5 g
Weight per piece (excluding packing)	169.5 g
Customs tariff number	85366990
Country of origin	RO

# HC-B 24-ESTZZ - Contact insert



1605255

<https://www.phoenixcontact.com/us/products/1605255>

## Technical data

### Mounting

Assembly note	For housing $h \geq 72$ mm. Connectors may be operated only when there is no load/voltage.
	For housings of type B16/B32. Connectors may only be actuated when there is no load/voltage.

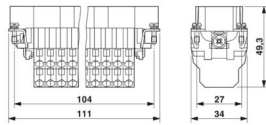
### Product properties

Product type	Contact insert with a fixed no. of positions
Series	HC-B
Type	B24 B48
Number of positions	24
Connection profile	24+PE
Contact numbering	1 - 24

### Insulation characteristics

Overvoltage category	III
Degree of pollution	3

### Dimensions

Dimensional drawing	
Width	34 mm
Height	35.5 mm
Length	111 mm

### Mechanical characteristics

Minimum housing height	72 mm
------------------------	-------

### Connection data

#### Connection technology

Connection technology	Spring-cage connection
-----------------------	------------------------

#### Conductor connection

Conductor cross-section	0.14 mm <sup>2</sup> ... 2.5 mm <sup>2</sup>
Connection cross section AWG	26 ... 14
Stripping length of the individual wire	10 mm $\pm$ 1 mm

### Electrical properties

Rated voltage (III/3)	500 V
-----------------------	-------

# HC-B 24-ESTZZ - Contact insert



1605255

<https://www.phoenixcontact.com/us/products/1605255>

Rated surge voltage	6 kV
Rated current	16 A

## Mechanical properties

### Mechanical data

Insertion/withdrawal cycles	≥ 500
-----------------------------	-------

## Material specifications

Flammability rating according to UL 94	V0
Contact material	Copper alloy
Contact surface material	Ag
Contact carrier material	PC

## Environmental and real-life conditions

### Ambient conditions

Ambient temperature (operation)	-40 °C ... 125 °C (including heating up of contacts)
---------------------------------	--

# HC-B 24-ESTZZ - Contact insert

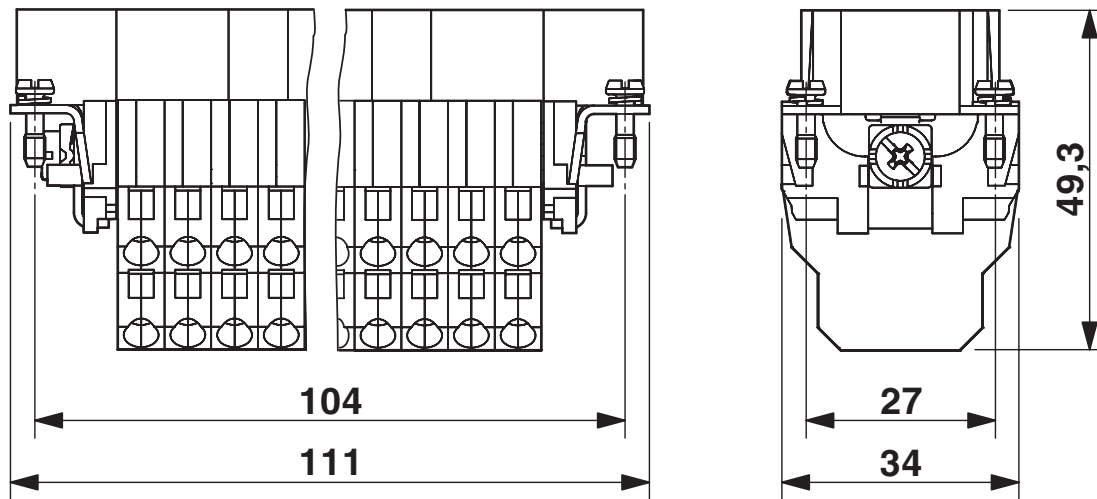


1605255

<https://www.phoenixcontact.com/us/products/1605255>

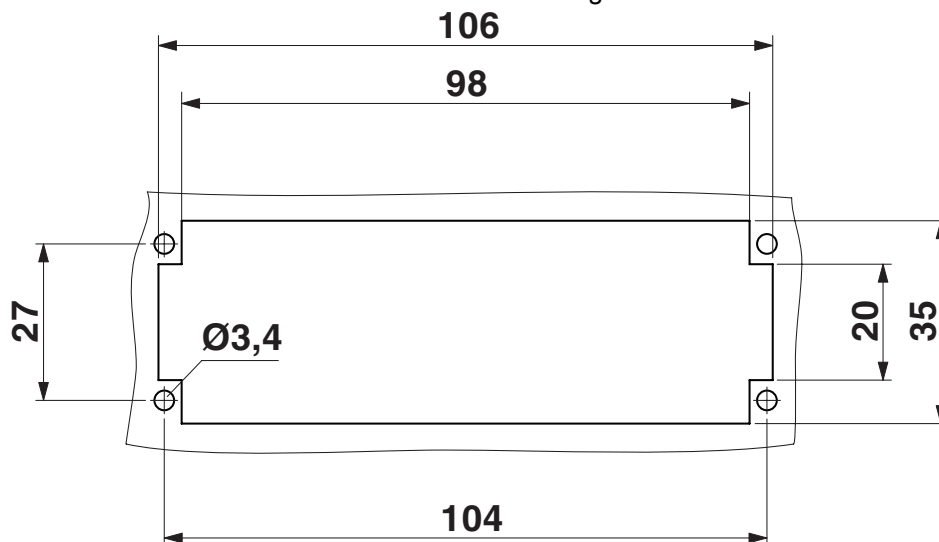
## Drawings

Dimensional drawing



## Male contact insert

Dimensional drawing



## Mounting cutout

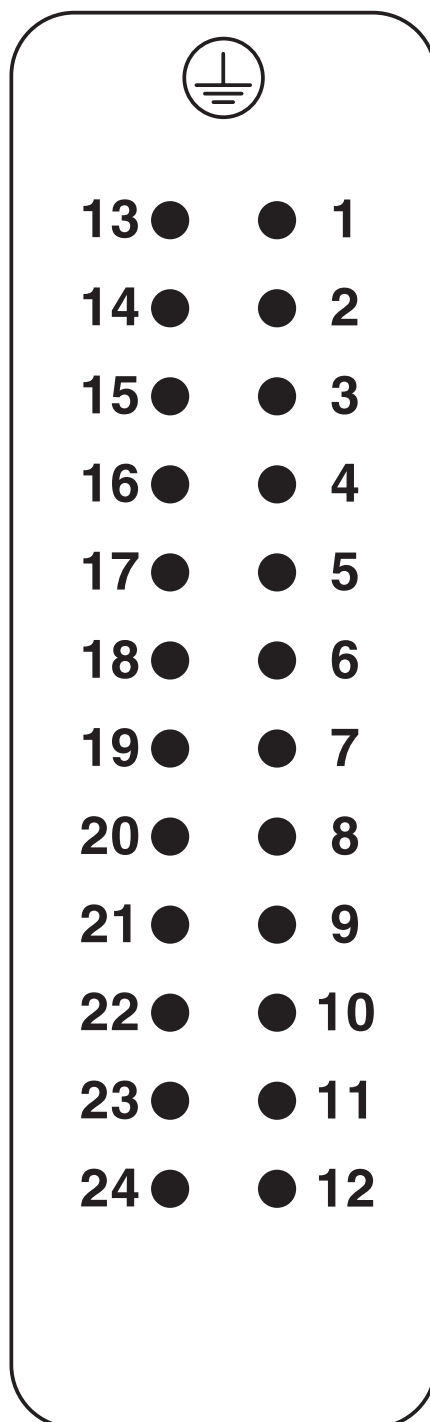
# HC-B 24-ESTZZ - Contact insert

1605255

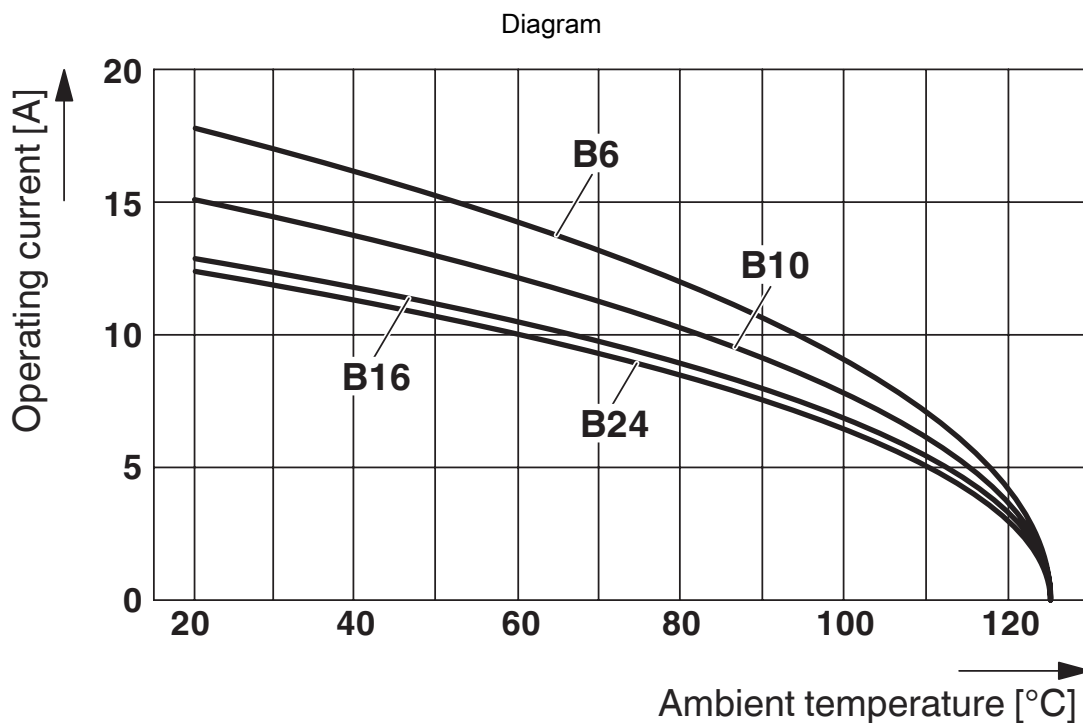
<https://www.phoenixcontact.com/us/products/1605255>



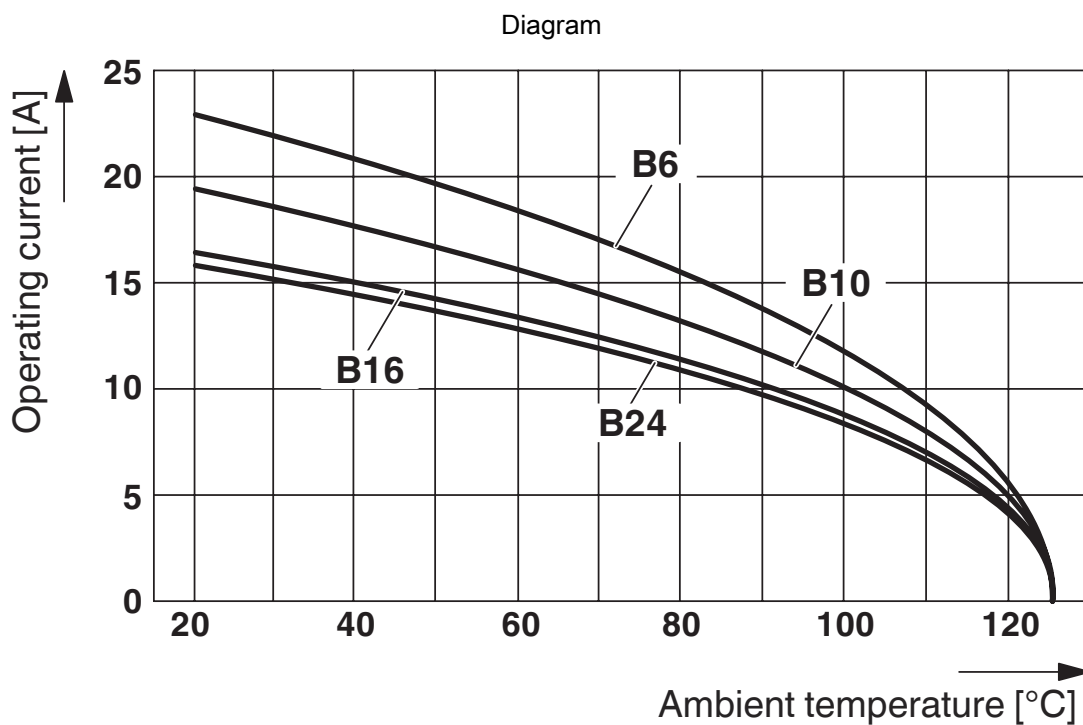
Schematic diagram



Connector pin assignment, connection side



The figure shows the derating diagram of various series B contact inserts (B6 to B24), conductor cross-section 1.5 mm<sup>2</sup>



The figure shows the derating diagram of various series B contact inserts (B6 to B24), conductor cross-section 2.5 mm<sup>2</sup>

# HC-B 24-ESTZZ - Contact insert



1605255

<https://www.phoenixcontact.com/us/products/1605255>

## Classifications

### ECLASS

ECLASS-13.0	27440205
ECLASS-15.0	27440205

Phoenix Contact 2026 © - all rights reserved

<https://www.phoenixcontact.com>

Phoenix Contact USA  
586 Fulling Mill Road  
Middletown, PA 17057, United States  
(+717) 944-1300  
[info@phoenixcon.com](mailto:info@phoenixcon.com)