

# HC-B-PES - Screw

1604997

<https://www.phoenixcontact.com/us/products/1604997>

Please be informed that the data shown in this PDF document is generated from our online catalog. Please find the complete data in the user documentation. Our general terms of use for downloads are valid.

PE screw, for contact inserts HC-B / HC-BB / HC-DD / HC-D40 / HC-D64



## Commercial data

Item number	1604997
Packing unit	10 pc
Minimum order quantity	1 pc
Sales key	BF61
Product key	AF7ABZ
GTIN	4017918893354
Weight per piece (including packing)	2.1 g
Weight per piece (excluding packing)	2 g
Customs tariff number	73181558
Country of origin	CN

# HC-B-PES - Screw



1604997

<https://www.phoenixcontact.com/us/products/1604997>

## Technical data

### Notes

General	PE screw, for contact inserts HC-B / HC-BB / HC-DD / HC-D40 / HC-D64, M4
---------	--

### Product properties

Product type	Mounting material
Type	PE screw

### Connection data

Screw thread	M4
--------------	----

### Material specifications

Material	Steel, galvanized
----------	-------------------

# HC-B-PES - Screw

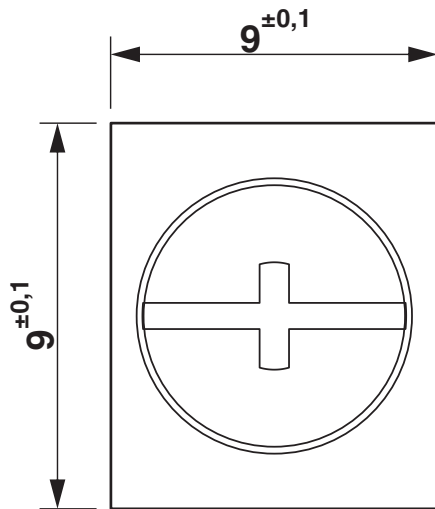
1604997

<https://www.phoenixcontact.com/us/products/1604997>

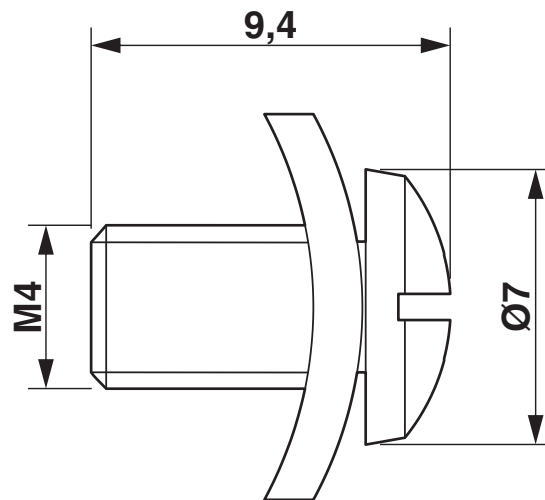


## Drawings

Dimensional drawing



Dimensional drawing



# HC-B-PES - Screw



1604997

<https://www.phoenixcontact.com/us/products/1604997>

## Classifications

### ECLASS

ECLASS-15.0	27144492
ECLASS-13.0	27144492

### ETIM

ETIM 10.0	EC002610
-----------	----------

### UNSPSC

UNSPSC 21.0	31161500
-------------	----------

# HC-B-PES - Screw



1604997

<https://www.phoenixcontact.com/us/products/1604997>

## Environmental product compliance

### EU RoHS

Fulfills EU RoHS substance requirements	Yes, No exemptions
---	--------------------

### China RoHS

Environment friendly use period (EFUP)	EFUP-E
	No hazardous substances above the limits

### EU REACH SVHC

REACH candidate substance (CAS No.)	No substance above 0.1 wt%
-------------------------------------	----------------------------

Phoenix Contact 2026 © - all rights reserved  
<https://www.phoenixcontact.com>

Phoenix Contact USA  
586 Fulling Mill Road  
Middletown, PA 17057, United States  
(+717) 944-1300  
[info@phoenixcon.com](mailto:info@phoenixcon.com)