

HC-D 7-TFL-57/O1M20G - Housing

1604888

<https://www.phoenixcontact.com/us/products/1604888>

Please be informed that the data shown in this PDF document is generated from our online catalog. Please find the complete data in the user documentation. Our general terms of use for downloads are valid.



HEAVYCON sleeve housing D7, for single locking latch, height 57 mm, with gland, straight cable outlet, zinc die-cast

Commercial data

Item number	1604888
Packing unit	1 pc
Note	Made to order (non-returnable)
Sales key	BF55
Product key	AF7AAE
GTIN	4017918881023
Weight per piece (including packing)	70.17 g
Weight per piece (excluding packing)	68.53 g
Customs tariff number	85389099
Country of origin	DE

HC-D 7-TFL-57/O1M20G - Housing

1604888

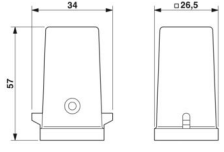
<https://www.phoenixcontact.com/us/products/1604888>

Technical data

Product properties

Product type	Housing with locking latch
Housing type	Sleeve housing
Application	Standard
Type	D7
No. of cable outlets	1
Type of the screw connection	1x M20
Shielded	no
Cable outlet	straight
Pg screw connection	none

Dimensions

Dimensional drawing	
Width	34 mm
Height	57 mm
Length	26.5 mm

Material specifications

Housing material	Die-cast zinc
Housing surface material	Powder-coated, gray

Mechanical properties

Mechanical data

Type of the screw connection	1x M20
Locking type	Pin

Environmental and real-life conditions

Ambient conditions

Degree of protection	IP54
	IP65 (with sealing screw)
Ambient temperature (operation)	-40 °C ... 125 °C

HC-D 7-TFL-57/O1M20G - Housing

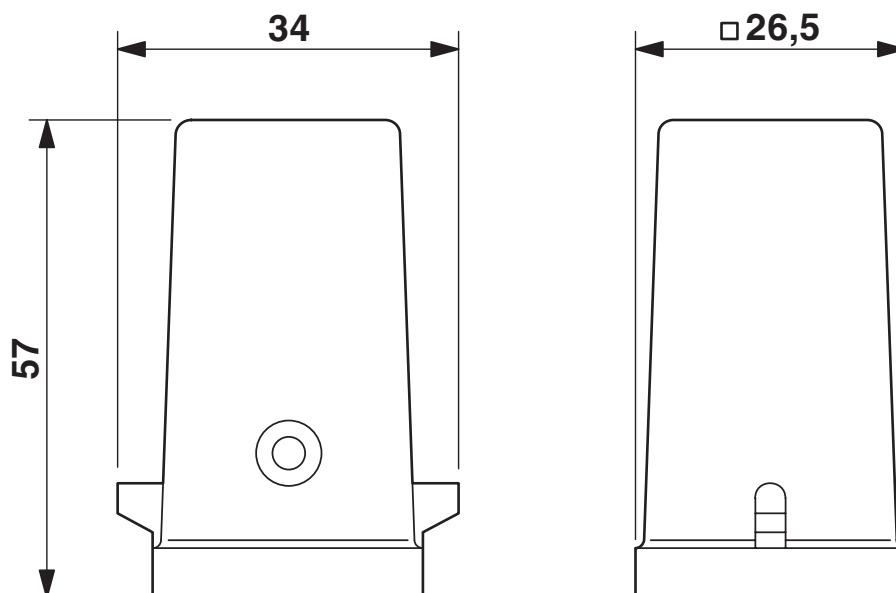
1604888

<https://www.phoenixcontact.com/us/products/1604888>



Drawings

Dimensional drawing



HC-D 7-TFL-57/O1M20G - Housing



1604888

<https://www.phoenixcontact.com/us/products/1604888>

Classifications

ECLASS

ECLASS-13.0	27440202
ECLASS-15.0	27440202

HC-D 7-TFL-57/O1M20G - Housing



1604888

<https://www.phoenixcontact.com/us/products/1604888>

Environmental product compliance

China RoHS

Environment friendly use period (EFUP)	EFUP-E
	No hazardous substances above the limits

EU REACH SVHC

REACH candidate substance (CAS No.)	No substance above 0.1 wt%
-------------------------------------	----------------------------

Phoenix Contact 2026 © - all rights reserved
<https://www.phoenixcontact.com>

Phoenix Contact USA
586 Fulling Mill Road
Middletown, PA 17057, United States
(+717) 944-1300
info@phoenixcon.com