

# HC-B 6-TMB-100/O1STM20G-EUA - Housing



1604162

<https://www.phoenixcontact.com/us/products/1604162>

Please be informed that the data shown in this PDF document is generated from our online catalog. Please find the complete data in the user documentation. Our general terms of use for downloads are valid.



HEAVYCON ADVANCE for increased environmental requirements, sleeve housing B6, with bayonet locking, height 100 mm, with 1xM20 thread, straight cable outlet

## Commercial data

|                                      |                                |
|--------------------------------------|--------------------------------|
| Item number                          | 1604162                        |
| Packing unit                         | 1 pc                           |
| Note                                 | Made to order (non-returnable) |
| Sales key                            | BF58                           |
| Product key                          | AF7AAA                         |
| GTIN                                 | 4017918947842                  |
| Weight per piece (including packing) | 311.48 g                       |
| Weight per piece (excluding packing) | 311.48 g                       |
| Customs tariff number                | 85389099                       |
| Country of origin                    | DE                             |

# HC-B 6-TMB-100/O1STM20G-EUA - Housing



1604162

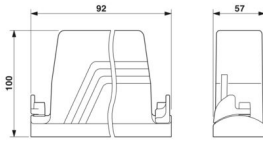
<https://www.phoenixcontact.com/us/products/1604162>

## Technical data

### Product properties

|                              |                                      |
|------------------------------|--------------------------------------|
| Product type                 | Housing with bayonet locking         |
| Housing type                 | Sleeve housing                       |
| Application                  | increased environmental requirements |
| Type                         | B6                                   |
| No. of cable outlets         | 1                                    |
| Type of the screw connection | 1x M20                               |
| Shielded                     | no                                   |
| Cable outlet                 | straight                             |
| Pg screw connection          | none                                 |

### Dimensions

|                     |   |
|---------------------|---|
| Dimensional drawing |  |
| Width               | 57 mm   |
| Height              | 100 mm  |
| Length              | 92 mm   |

### Installation dimensions

|                               |       |
|-------------------------------|-------|
| Width of the assembly cutout  | 35 mm |
| Length of the assembly cutout | 52 mm |

### Material specifications

|                          |   |
|--------------------------|---|
| Seal material            | Viton                                   |
| Housing material         | Die-cast aluminum, salt water resistant |
| Housing surface material | Powder-coated, black                    |
| Locking latch material   | High-grade steel, handle: PA-GF         |

### Environmental and real-life conditions

#### Ambient conditions

|                                 |                   |
|---------------------------------|-------------------|
| Degree of protection            | IP65<br>IP67      |
| Ambient temperature (operation) | -40 °C ... 125 °C |

### Mechanical properties

#### Mechanical data

|                              |        |
|------------------------------|--------|
| Type of the screw connection | 1x M20 |
| Locking type                 | Screw  |

1604162

<https://www.phoenixcontact.com/us/products/1604162>

## Mounting

### Assembly note

In order to guarantee that the protective conductor contact functions even when plugged in at an angle, the two panel-mount flanges must have sufficient electrical contact with the metal mounting panel.

1604162

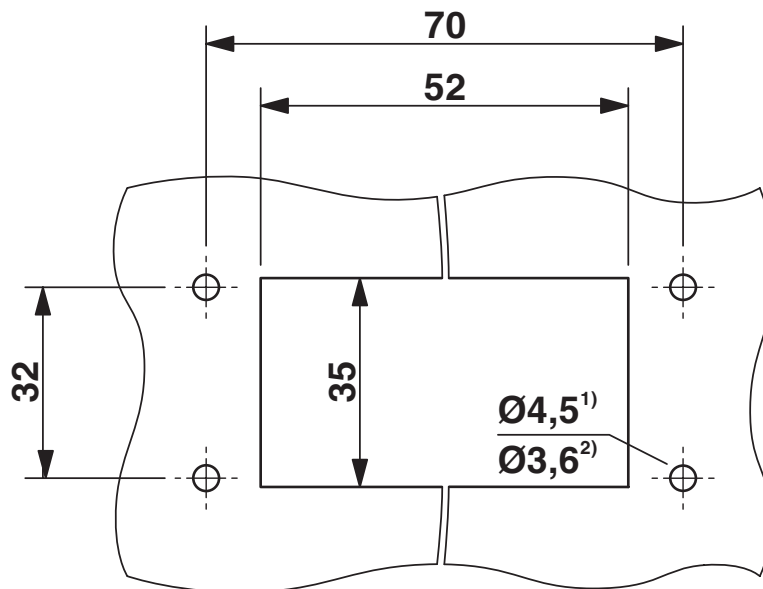
<https://www.phoenixcontact.com/us/products/1604162>

## Drawings

Dimensional drawing



Dimensional drawing



Mounting cutout

1) when M4 screws are used

2) when self-tapping Torx® screws are used (Torx® 20, M4)

# HC-B 6-TMB-100/O1STM20G-EUA - Housing



1604162

<https://www.phoenixcontact.com/us/products/1604162>

## Classifications

### ECLASS

|             |          |
|-------------|----------|
| ECLASS-13.0 | 27440202 |
| ECLASS-15.0 | 27440202 |

# HC-B 6-TMB-100/O1STM20G-EUA - Housing



1604162

<https://www.phoenixcontact.com/us/products/1604162>

## Environmental product compliance

### EU RoHS

|   |                    |
|---|--------------------|
| Fulfills EU RoHS substance requirements | Yes, No exemptions |
|---|--------------------|

### China RoHS

|  |  |
|--|--|
| Environment friendly use period (EFUP) | EFUP-E                                   |
|  | No hazardous substances above the limits |

### EU REACH SVHC

|                                     |                            |
|-------------------------------------|----------------------------|
| REACH candidate substance (CAS No.) | No substance above 0.1 wt% |
|-------------------------------------|----------------------------|

Phoenix Contact 2026 © - all rights reserved  
<https://www.phoenixcontact.com>

Phoenix Contact USA  
586 Fulling Mill Road  
Middletown, PA 17057, United States  
(+717) 944-1300  
[info@phoenixcon.com](mailto:info@phoenixcon.com)