

# HC-B 6-TMS-100/O1STM20G-EUA - Housing



1604049

<https://www.phoenixcontact.com/us/products/1604049>

Please be informed that the data shown in this PDF document is generated from our online catalog. Please find the complete data in the user documentation. Our general terms of use for downloads are valid.



HEAVYCON ADVANCE for increased environmental requirements, sleeve housing B6, with screw locking, height 100 mm, with 1xM20 thread, straight cable outlet

## Commercial data

Item number	1604049
Packing unit	1 pc
Minimum order quantity	1 pc
Note	Made to order (non-returnable)
Sales key	BF58
Product key	AF7AAA
GTIN	4017918883959
Weight per piece (including packing)	312.11 g
Weight per piece (excluding packing)	302.94 g
Customs tariff number	85389099
Country of origin	DE

1604049

<https://www.phoenixcontact.com/us/products/1604049>

## Technical data

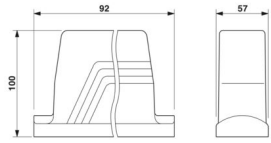
### Product properties

Product type	Housing with screw locking
Housing type	Sleeve housing
Application	increased environmental requirements
Type	B6
No. of cable outlets	1
Type of the screw connection	1x M20
Fixing screws	M6
Shielded	no
Cable outlet	straight
Pg screw connection	none

### Connection data

Tightening torque	3 Nm (Locking screw)
-------------------	----------------------

### Dimensions

Dimensional drawing	
Width	57 mm
Height	100 mm
Length	92 mm

### Installation dimensions

Width of the assembly cutout	35 mm
Length of the assembly cutout	52 mm

### Material specifications

Seal material	Viton
Housing material	Die-cast aluminum, salt water resistant
Housing surface material	Powder-coated, black
Locking latch material	Stainless steel

### Environmental and real-life conditions

#### Ambient conditions

Degree of protection	IP66
	IP68 (0.2 bar/24 h)
	IP69
	4 (NEMA 250)

# HC-B 6-TMS-100/O1STM20G-EUA - Housing



1604049

<https://www.phoenixcontact.com/us/products/1604049>

Enclosure rating (NEMA)	4X (NEMA 250)
	6P (NEMA 250)
	12 (NEMA 250)
Ambient temperature (operation)	-40 °C ... 125 °C

## Mechanical properties

### Mechanical data

Type of the screw connection	1x M20
Locking type	Screw

## Mounting

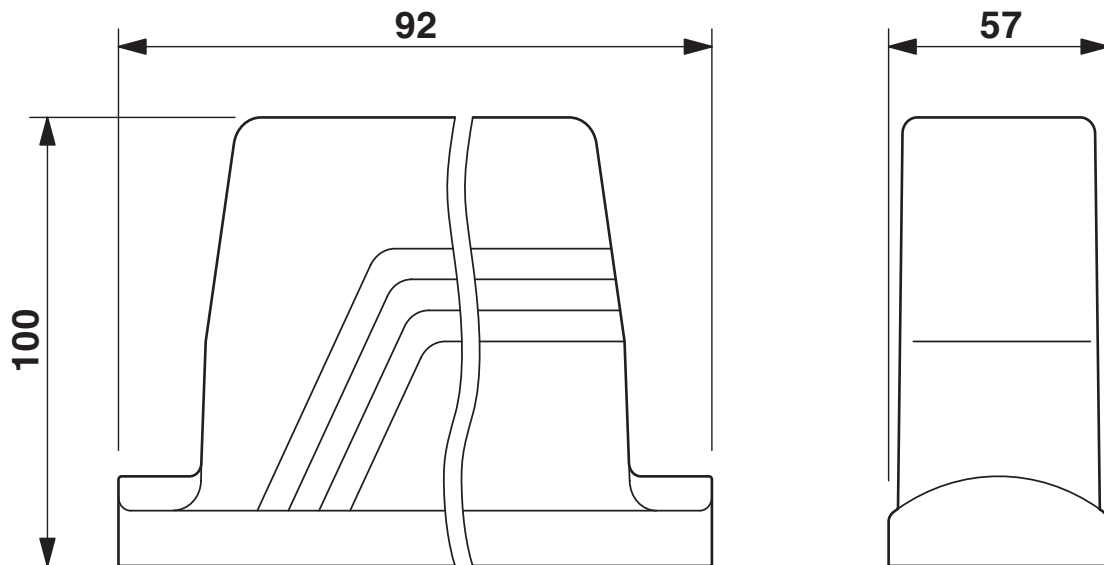
Assembly note	In order to guarantee that the protective conductor contact functions even when plugged in at an angle, the two panel-mount flanges must have sufficient electrical contact with the metal mounting panel.
	Tightening torque of locking screw 3 Nm.
Fixing screws	M6

1604049

<https://www.phoenixcontact.com/us/products/1604049>

## Drawings

Dimensional drawing



Dimensional drawing

Dimensional drawing



### Mounting cutout

1) when M4 screws are used

2) when self-tapping Torx® screws are used (Torx® 20, M4)

# HC-B 6-TMS-100/O1STM20G-EUA - Housing



1604049

<https://www.phoenixcontact.com/us/products/1604049>

## Classifications

### ECLASS

ECLASS-13.0	27440202
ECLASS-15.0	27440202

### UNSPSC

UNSPSC 21.0	31261500
-------------	----------

# HC-B 6-TMS-100/O1STM20G-EUA - Housing



1604049

<https://www.phoenixcontact.com/us/products/1604049>

## Environmental product compliance

### EU RoHS

Fulfills EU RoHS substance requirements	Yes, No exemptions
---	--------------------

### China RoHS

Environment friendly use period (EFUP)	EFUP-E
	No hazardous substances above the limits

### EU REACH SVHC

REACH candidate substance (CAS No.)	No substance above 0.1 wt%
-------------------------------------	----------------------------

Phoenix Contact 2026 © - all rights reserved  
<https://www.phoenixcontact.com>

Phoenix Contact USA  
586 Fulling Mill Road  
Middletown, PA 17057, United States  
(+717) 944-1300  
[info@phoenixcon.com](mailto:info@phoenixcon.com)