

# RC-6KS2000 - Crimp contact



1603816

<https://www.phoenixcontact.com/us/products/1603816>

Please be informed that the data shown in this PDF document is generated from our online catalog. Please find the complete data in the user documentation. Our general terms of use for downloads are valid.

Crimp contact, series: RC, Socket, turned



The figure may differ depending on the connection area

## Commercial data

|                                      |                                |
|--------------------------------------|--------------------------------|
| Item number                          | 1603816                        |
| Packing unit                         | 1 pc                           |
| Minimum order quantity               | 1 pc                           |
| Note                                 | Made to order (non-returnable) |
| Sales key                            | AB36                           |
| Product key                          | ABREAA                         |
| GTIN                                 | 4046356247252                  |
| Weight per piece (including packing) | 0.54 g                         |
| Weight per piece (excluding packing) | 0.27 g                         |
| Customs tariff number                | 85366990                       |
| Country of origin                    | DE                             |

# RC-6KS2000 - Crimp contact



1603816

<https://www.phoenixcontact.com/us/products/1603816>

## Technical data

### Product properties

|                       |               |
|-----------------------|---------------|
| Product type          | Crimp contact |
| Series                | RC            |
| Contact material type | turned        |

### Connection data

#### Connection technology

|                         |        |
|-------------------------|--------|
| Contact connection type | Socket |
|-------------------------|--------|

### Mechanical properties

#### Mechanical data

|                             |    |
|-----------------------------|----|
| Insertion/withdrawal cycles | 50 |
|-----------------------------|----|

# RC-6KS2000 - Crimp contact

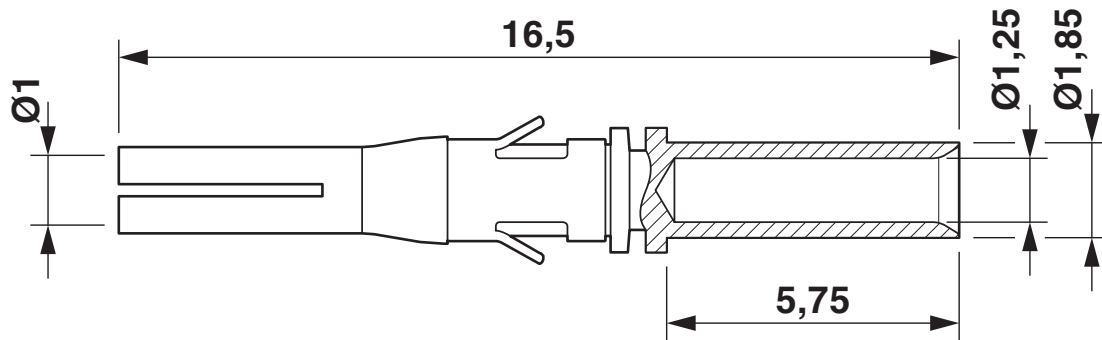
1603816

<https://www.phoenixcontact.com/us/products/1603816>



## Drawings

Dimensional drawing



# RC-6KS2000 - Crimp contact

1603816

<https://www.phoenixcontact.com/us/products/1603816>



## Classifications

### UNSPSC

|             |          |
|-------------|----------|
| UNSPSC 21.0 | 39121522 |
|-------------|----------|

# RC-6KS2000 - Crimp contact



1603816

<https://www.phoenixcontact.com/us/products/1603816>

## Environmental product compliance

### EU RoHS

|   |      |
|---|------|
| Fulfills EU RoHS substance requirements | Yes  |
| Exemption                               | 6(c) |

### China RoHS

|  |   |
|--|---|
| Environment friendly use period (EFUP) | EFUP-50   |
|  | An article-related China RoHS declaration table can be found in the download area for the respective article under "Manufacturer declaration". For all articles with EFUP-E, no China RoHS declaration table issued and required. |

### EU REACH SVHC

|                                     |                      |
|-------------------------------------|----------------------|
| REACH candidate substance (CAS No.) | Lead(CAS: 7439-92-1) |
|-------------------------------------|----------------------|

Phoenix Contact 2026 © - all rights reserved  
<https://www.phoenixcontact.com>

Phoenix Contact USA  
586 Fulling Mill Road  
Middletown, PA 17057, United States  
(+717) 944-1300  
[info@phoenixcon.com](mailto:info@phoenixcon.com)