

# RC-63S1N124000 - Device connector rear mounting



1603687

<https://www.phoenixcontact.com/us/products/1603687>

Please be informed that the data shown in this PDF document is generated from our online catalog. Please find the complete data in the user documentation. Our general terms of use for downloads are valid.



The figure shows the 12-pos.  
product version

M23, Device connector rear mounting, application: Signal, series: RC, straight, Screw locking mechanism, No. of pos.: 6+3, Direction of rotation: Standard, contact connection type: Socket, Solder cup, Flat gasket, coding: N, Alternative product in accordance with RoHS II without Exemption 6c (Pb < 0.1 %) item no.: 1241662

## Commercial data

Item number	1603687
Packing unit	40 pc
Minimum order quantity	1 pc
Note	Made to order (non-returnable)
Product key	ABRAFR
GTIN	4046356246668
Weight per piece (including packing)	33.322 g
Weight per piece (excluding packing)	29.44 g
Country of origin	DE

1603687

<https://www.phoenixcontact.com/us/products/1603687>

## Technical data

### Product properties

Product type	Circular connector (cable-side)
--------------	---------------------------------

### Connector

#### Insulating body

Coding	N
Material (Insulating body)	PBT
Material (Contact)	CuZn
Material (Contact surface)	Ni/Au
Insertion/withdrawal cycles	50
Connection method	Solder cup
Contact switching type	Socket
Application	Signal
Number of positions	9
Direction of rotation	Standard
Connection profile	6+3
Number (Contact group 1)	3
Contact diameter (Contact group 1)	2 mm
Litz wires Min. cross section (Contact group 1)	0.08 mm <sup>2</sup>
Litz wires Max. cross section (Contact group 1)	2.5 mm <sup>2</sup>
Rated current Contact (Contact group 1)	20 A (for max. connection cross section)
Rated voltage Contact (Contact group 1)	48 V AC 74 V DC
Rated surge voltage	1.5 kV
Overvoltage category	III
Degree of pollution	3
Number (Contact group 2)	6
Contact diameter (Contact group 2)	1 mm
Litz wires Max. cross section (Contact group 2)	1 mm <sup>2</sup>
Rated current Contact (Contact group 2)	8 A

#### Housing

Type	Flange housing
Thread type	M23
Design	straight
Type of locking	Screw locking mechanism
Pg screw connection	none
Mounting type	Rear mounting/square flange (4x M2,5)
Material (Housing)	Metal
Degree of protection (plugged in)	IP67
Seal for the device	Flat gasket

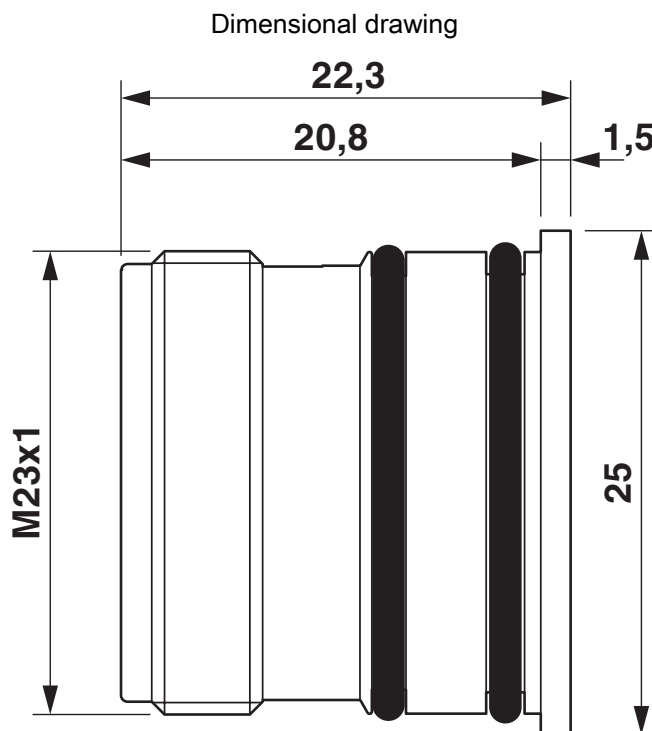
# RC-63S1N124000 - Device connector rear mounting



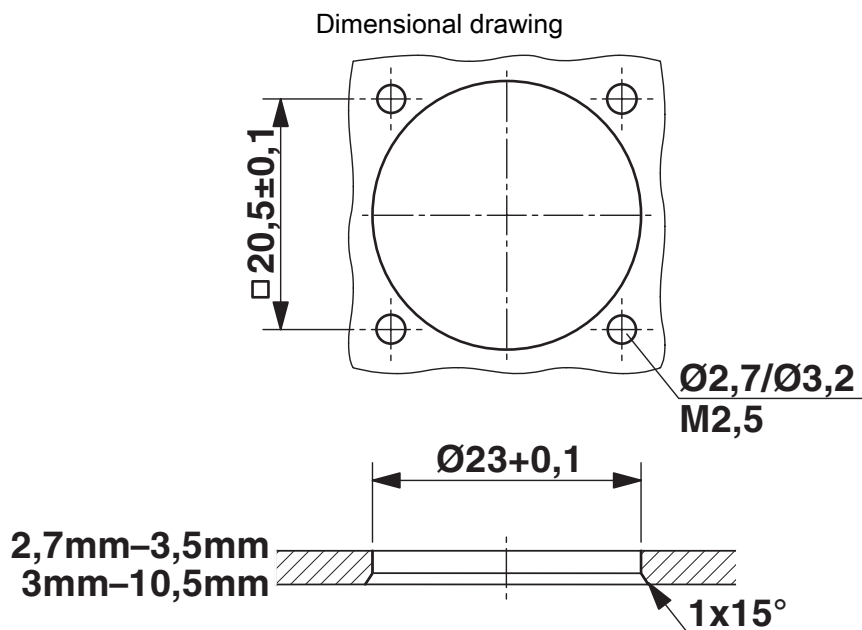
1603687

<https://www.phoenixcontact.com/us/products/1603687>

## Drawings



Dimensional drawing

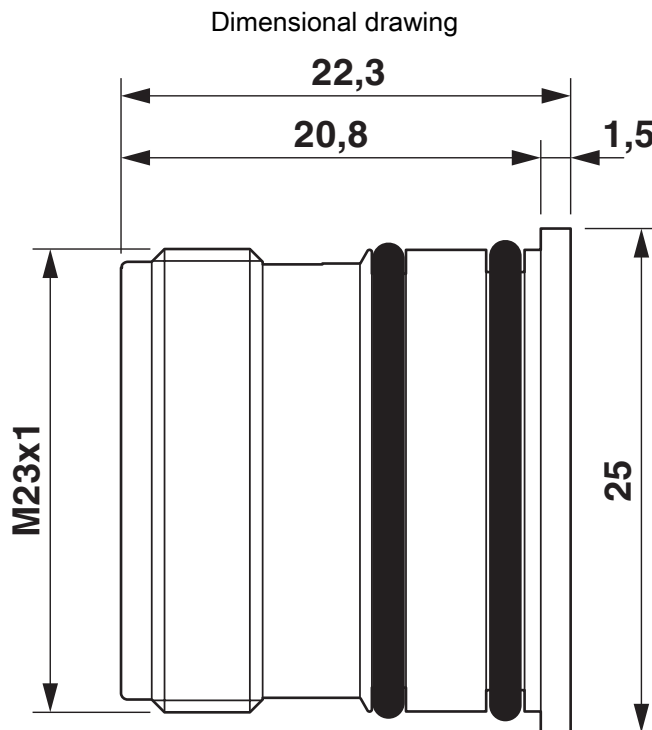


Installation dimensions

# RC-63S1N124000 - Device connector rear mounting

1603687

<https://www.phoenixcontact.com/us/products/1603687>

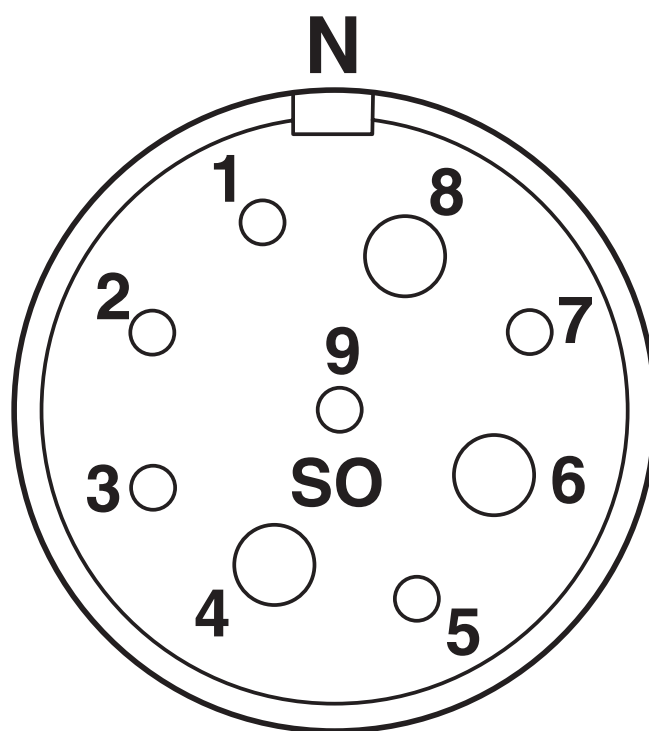


Dimensional drawing



Installation dimensions

Schematic diagram



Connector pin assignment

Schematic diagram



Dimensional drawing

# RC-63S1N124000 - Device connector rear mounting



1603687

<https://www.phoenixcontact.com/us/products/1603687>

## Classifications

### ECLASS

ECLASS-13.0	27440116
-------------	----------

### UNSPSC

UNSPSC 21.0	39121400
-------------	----------

1603687

<https://www.phoenixcontact.com/us/products/1603687>

## Environmental product compliance

### EU RoHS

Fulfills EU RoHS substance requirements	Yes
Exemption	6(c)

### China RoHS

Environment friendly use period (EFUP)	EFUP-50
	An article-related China RoHS declaration table can be found in the download area for the respective article under "Manufacturer declaration". For all articles with EFUP-E, no China RoHS declaration table issued and required.

### EU REACH SVHC

REACH candidate substance (CAS No.)	Lead(CAS: 7439-92-1)
SCIP	9362f746-72c8-48eb-b530-08c98213cfc0

Phoenix Contact 2026 © - all rights reserved

<https://www.phoenixcontact.com>

Phoenix Contact USA  
586 Fulling Mill Road  
Middletown, PA 17057, United States  
(+717) 944-1300  
[info@phoenixcon.com](mailto:info@phoenixcon.com)