

RC-63P1N1280N0 - Cable connector

1603581

<https://www.phoenixcontact.com/us/products/1603581>

Please be informed that the data shown in this PDF document is generated from our online catalog. Please find the complete data in the user documentation. Our general terms of use for downloads are valid.

Cable connector



The figure shows the 12-pos. product version

Commercial data

Item number	1603581
Packing unit	1 pc
Note	Made to order (non-returnable)
Sales key	AB31
Product key	ABRAFA
GTIN	4046356246187
Weight per piece (including packing)	75.02 g
Weight per piece (excluding packing)	69.25 g
Customs tariff number	85366990
Country of origin	DE

RC-63P1N1280N0 - Cable connector



1603581

<https://www.phoenixcontact.com/us/products/1603581>

Technical data

Product properties

Product type	Circular connectors (device side)
--------------	-----------------------------------

Connector

Insulating body

Coding	N
Material (Insulating body)	PBT
Material (Contact)	CuZn
Material (Contact surface)	Ni/Au
Insertion/withdrawal cycles	50
Connection method	Solder cup
Contact switching type	Pin
Application	Signal
Number of positions	9
Direction of rotation	Standard
Connection profile	6+3
Number (Contact group 1)	3
Contact diameter (Contact group 1)	2 mm
Litz wires Min. cross section (Contact group 1)	0.08 mm ²
Litz wires Max. cross section (Contact group 1)	2.5 mm ²
Rated current Contact (Contact group 1)	20 A (for max. connection cross section)
Rated voltage Contact (Contact group 1)	48 V AC 74 V DC
Rated surge voltage	1.5 kV
Overvoltage category	III
Degree of pollution	3
Number (Contact group 2)	6
Contact diameter (Contact group 2)	1 mm
Litz wires Max. cross section (Contact group 2)	1 mm ²
Rated current Contact (Contact group 2)	8 A

Housing

Note	Order contact inserts separately
Type	Cable connector housing
Thread type	M23
Design	straight
Type of locking	Screw locking mechanism
Pg screw connection	none
Material (Housing)	Metal
Degree of protection (plugged in)	IP65 IP67

RC-63P1N1280N0 - Cable connector



1603581

<https://www.phoenixcontact.com/us/products/1603581>

	IP68
Seal	
External cable diameter	9.5 mm ... 10.5 mm
Seal material	NBR

RC-63P1N1280N0 - Cable connector

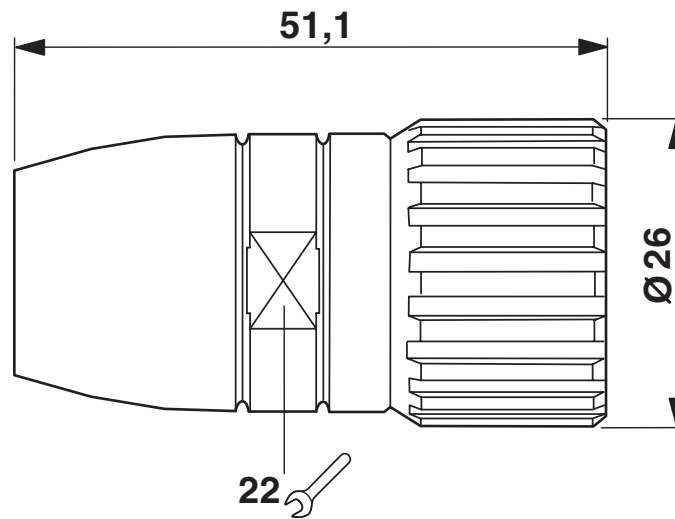
1603581

<https://www.phoenixcontact.com/us/products/1603581>



Drawings

Dimensional drawing

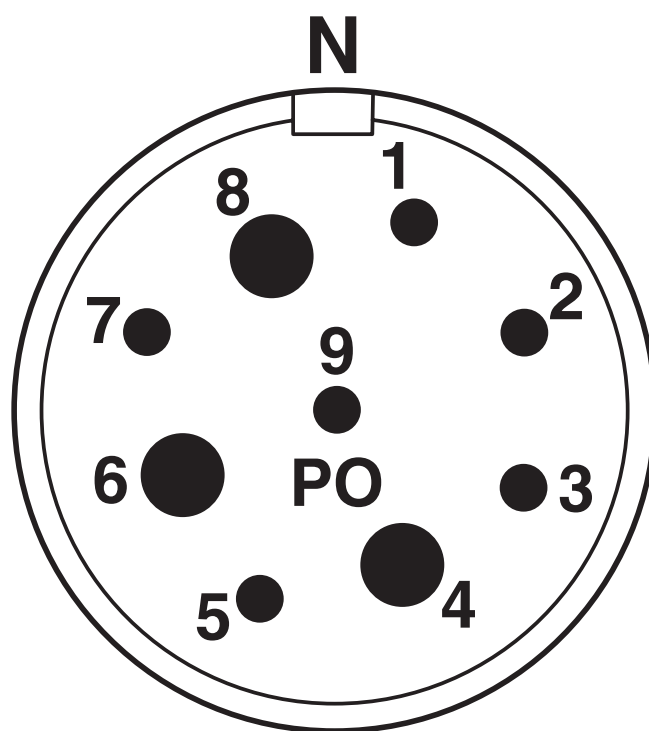


RC-63P1N1280N0 - Cable connector

1603581

<https://www.phoenixcontact.com/us/products/1603581>

Schematic diagram

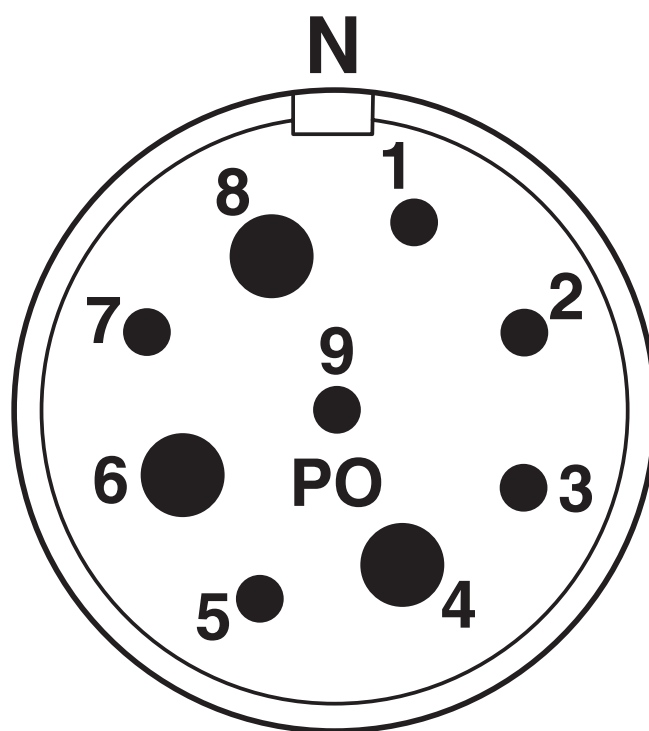


RC-63P1N1280N0 - Cable connector

1603581

<https://www.phoenixcontact.com/us/products/1603581>

Schematic diagram



Connector pin assignment

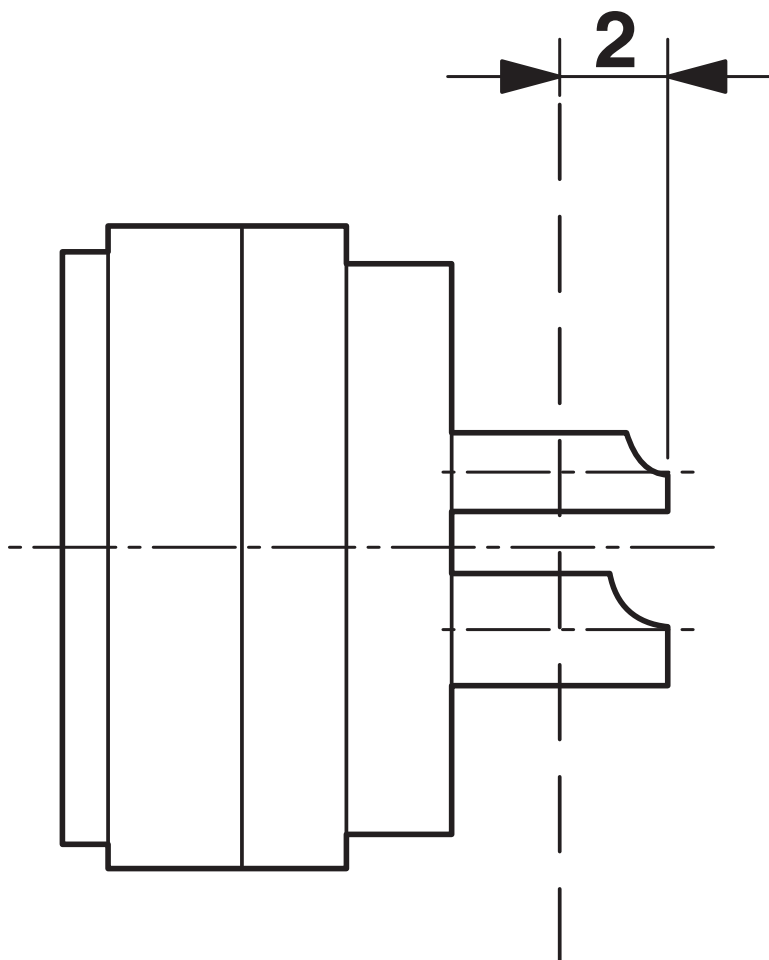
RC-63P1N1280N0 - Cable connector



1603581

<https://www.phoenixcontact.com/us/products/1603581>

Schematic diagram



Dimensional drawing

RC-63P1N1280N0 - Cable connector



1603581

<https://www.phoenixcontact.com/us/products/1603581>

Classifications

UNSPSC

UNSPSC 21.0	39121400
-------------	----------

RC-63P1N1280N0 - Cable connector



1603581

<https://www.phoenixcontact.com/us/products/1603581>

Environmental product compliance

EU RoHS

Fulfills EU RoHS substance requirements	Yes
Exemption	6(c)

China RoHS

Environment friendly use period (EFUP)	EFUP-50
	An article-related China RoHS declaration table can be found in the download area for the respective article under "Manufacturer declaration". For all articles with EFUP-E, no China RoHS declaration table issued and required.

EU REACH SVHC

REACH candidate substance (CAS No.)	Lead(CAS: 7439-92-1)
SCIP	12a0e731-c344-4414-aa41-9ef6b82fd8e5

Phoenix Contact 2026 © - all rights reserved

<https://www.phoenixcontact.com>

Phoenix Contact USA
586 Fulling Mill Road
Middletown, PA 17057, United States
(+717) 944-1300
info@phoenixcon.com