

RC-2RS1N124300 - Device connector rear mounting



1603416

<https://www.phoenixcontact.com/us/products/1603416>

Please be informed that the data shown in this PDF document is generated from our online catalog. Please find the complete data in the user documentation. Our general terms of use for downloads are valid.



M23, Device connector rear mounting, application: Signal, series: RC, straight, Screw locking mechanism, No. of pos.: 11+PE, Direction of rotation: Standard, contact connection type: Socket, Solder cup, Radial O-ring, Panel thickness min.: 2.7 mm, Panel thickness max.: 3.5 mm, coding: N

Commercial data

Item number	1603416
Packing unit	40 pc
Minimum order quantity	40 pc
Note	Made to order (non-returnable)
Product key	ABRAFR
GTIN	4046356245357
Weight per piece (including packing)	29.26 g
Weight per piece (excluding packing)	29.26 g
Country of origin	DE

RC-2RS1N124300 - Device connector rear mounting



1603416

<https://www.phoenixcontact.com/us/products/1603416>

Technical data

Notes

Order information:	Order 12 x 1 mm crimp contacts separately
--------------------	---

Product properties

Product type	Circular connectors (device side)
--------------	-----------------------------------

Connector

Insulating body

Note	Order information: Order 12 x 1 mm crimp contacts separately
Coding	N
Connection method	Solder cup
Contact switching type	Socket
Application	Signal
Number of positions	12
Direction of rotation	Standard
Connection profile	11+PE
Number (Contact group 1)	12
Contact diameter (Contact group 1)	1 mm
Litz wires Min. cross section (Contact group 1)	0.08 mm ²
Litz wires Max. cross section (Contact group 1)	1 mm ²
Rated current Contact (Contact group 1)	8 A (for max. connection cross section)
Rated voltage Contact (Contact group 1)	48 V AC 74 V DC
Rated surge voltage	1.5 kV
Overvoltage category	II
Degree of pollution	3

Housing

Type	Flange housing
Thread type	M23
Design	straight
Type of locking	Screw locking mechanism
Pg screw connection	none
Mounting type	Rear mounting/square flange (4x M3)
Material (Housing)	Metal
Degree of protection (plugged in)	IP67
Seal for the device	Radial O-ring

RC-2RS1N124300 - Device connector rear mounting

1603416

<https://www.phoenixcontact.com/us/products/1603416>

Drawings



Dimensional drawing

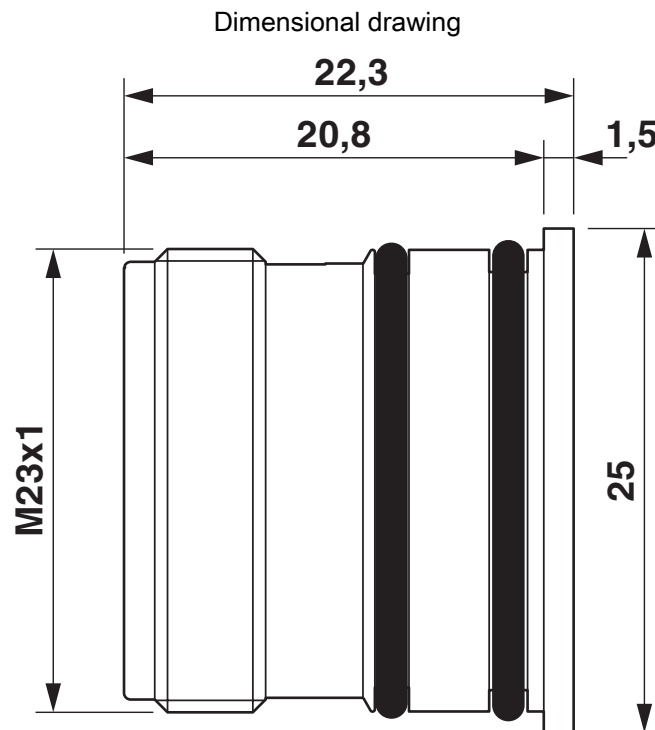


Installation dimensions

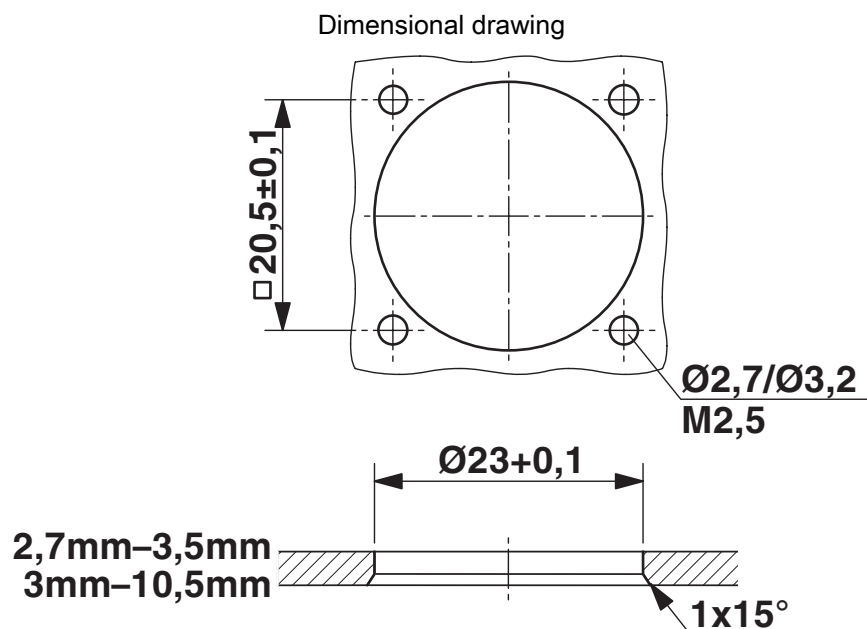
RC-2RS1N124300 - Device connector rear mounting

1603416

<https://www.phoenixcontact.com/us/products/1603416>



Dimensional drawing



Installation dimensions

RC-2RS1N124300 - Device connector rear mounting

1603416

<https://www.phoenixcontact.com/us/products/1603416>

Schematic diagram



Connector pin assignment

1603416

<https://www.phoenixcontact.com/us/products/1603416>

Environmental product compliance

China RoHS

Environment friendly use period (EFUP)	EFUP-50
	An article-related China RoHS declaration table can be found in the download area for the respective article under "Manufacturer declaration". For all articles with EFUP-E, no China RoHS declaration table issued and required.

EU REACH SVHC

REACH candidate substance (CAS No.)	No substance above 0.1 wt%
-------------------------------------	----------------------------

Phoenix Contact 2026 © - all rights reserved
<https://www.phoenixcontact.com>

Phoenix Contact USA
586 Fulling Mill Road
Middletown, PA 17057, United States
(+717) 944-1300
info@phoenixcon.com