

RC-1RS1NRA2S00 - Device connector front mounting



1603231

<https://www.phoenixcontact.com/us/products/1603231>

Please be informed that the data shown in this PDF document is generated from our online catalog. Please find the complete data in the user documentation. Our general terms of use for downloads are valid.



M23, Device connector front mounting, application: Signal, series: RC, straight, shielded: yes, Screw locking mechanism, No. of pos.: 16+2+FE, Direction of rotation: Standard, contact connection type: Socket, Crimp connection, Flat gasket, coding: N

Commercial data

Item number	1603231
Packing unit	40 pc
Minimum order quantity	1 pc
Note	Made to order (non-returnable)
Product key	ABRAFL
GTIN	4046356277907
Weight per piece (including packing)	22.07 g
Weight per piece (excluding packing)	20.61 g
Country of origin	DE

1603231

<https://www.phoenixcontact.com/us/products/1603231>

Technical data

Notes

Order information:	Order crimp contacts 16 x Ø 1 mm, 2 x Ø 1.5 mm, 1 x Ø 1.5 (PE) separately
--------------------	---

Product properties

Product type	Circular connectors (device side)
--------------	-----------------------------------

Connector

Insulating body

Note	Order information: Order crimp contacts 16 x Ø 1 mm, 2 x Ø 1.5 mm, 1 x Ø 1.5 (PE) separately
Coding	N
Material (Insulating body)	PA 6.6
Connection method	Crimp connection
Contact switching type	Socket
Application	Signal
Number of positions	19
Direction of rotation	Standard
Connection profile	16+2+FE
Number (Contact group 1)	3
Contact diameter (Contact group 1)	1.5 mm
Rated current Contact (Contact group 1)	10 A (for max. connection cross section)
Rated voltage Contact (Contact group 1)	48 V AC 74 V DC
Rated surge voltage	1.5 kV
Overvoltage category	II
Degree of pollution	3
Number (Contact group 2)	16
Contact diameter (Contact group 2)	1 mm
Litz wires Max. cross section (Contact group 2)	1 mm ²
Rated current Contact (Contact group 2)	8 A
Overvoltage category	II
Degree of pollution	3

Housing

Type	Flange housing
Thread type	M23
Design	straight
Type of locking	Screw locking mechanism
Pg screw connection	none
Mounting type	Front mounting/square flange (4x Ø 3.2 mm)
Material (Housing)	Metal

RC-1RS1NRA2S00 - Device connector front mounting



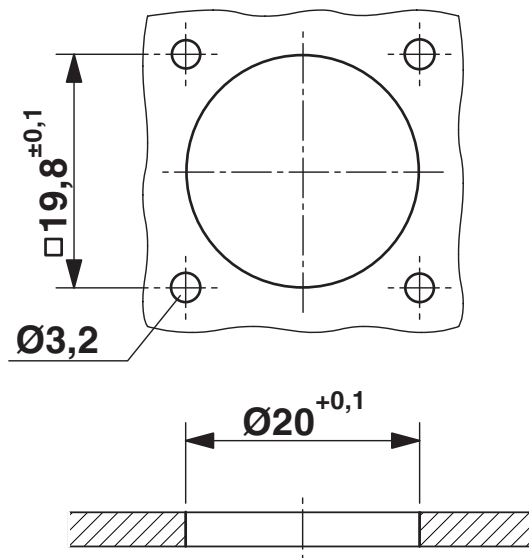
1603231

<https://www.phoenixcontact.com/us/products/1603231>

Degree of protection (plugged in)	IP67
Seal for the device	Flat gasket

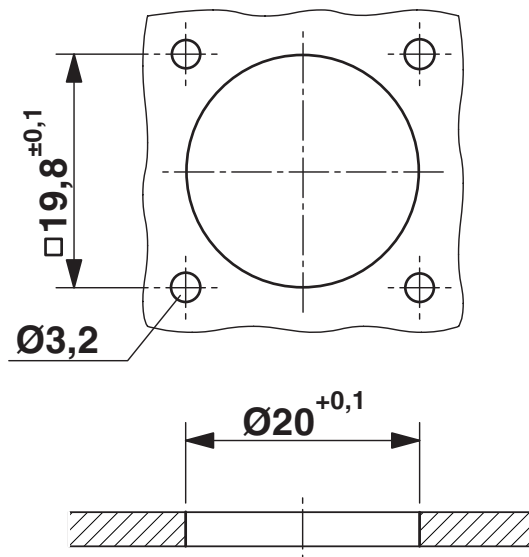
Drawings

Dimensional drawing



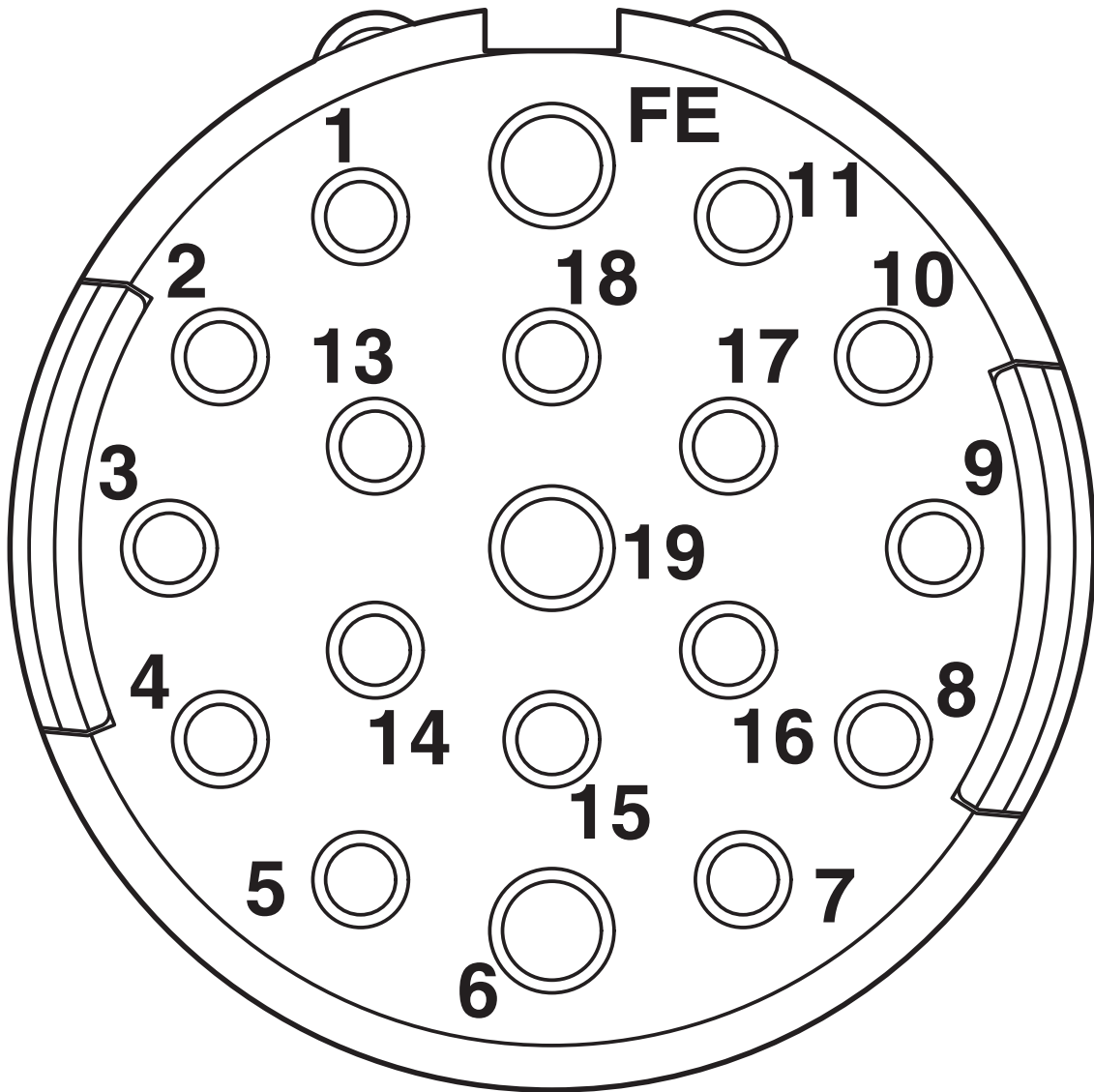
Installation dimensions

Dimensional drawing



Installation dimensions

Schematic diagram



Connector pin assignment

RC-1RS1NRA2S00 - Device connector front mounting



1603231

<https://www.phoenixcontact.com/us/products/1603231>

Classifications

UNSPSC

UNSPSC 21.0	39121413
-------------	----------

RC-1RS1NRA2S00 - Device connector front mounting



1603231

<https://www.phoenixcontact.com/us/products/1603231>

Environmental product compliance

EU RoHS

Fulfills EU RoHS substance requirements	Yes, No exemptions
---	--------------------

China RoHS

Environment friendly use period (EFUP)	EFUP-E
	No hazardous substances above the limits

EU REACH SVHC

REACH candidate substance (CAS No.)	No substance above 0.1 wt%
-------------------------------------	----------------------------

Phoenix Contact 2026 © - all rights reserved
<https://www.phoenixcontact.com>

Phoenix Contact USA
586 Fulling Mill Road
Middletown, PA 17057, United States
(+717) 944-1300
info@phoenixcon.com