

# RC-1RS1NP24100 - Device connector rear mounting



1603210

<https://www.phoenixcontact.com/us/products/1603210>

Please be informed that the data shown in this PDF document is generated from our online catalog. Please find the complete data in the user documentation. Our general terms of use for downloads are valid.



M23, Device connector rear mounting, series: RC, straight, Screw locking mechanism, Flat gasket, Panel thickness min.: 2.7 mm, Panel thickness max.: 3.5 mm

The figure shows the 12-pos.  
product version

## Commercial data

Item number	1603210
Packing unit	20 pc
Minimum order quantity	1 pc
Note	Made to order (non-returnable)
Product key	ABRAFR
GTIN	4046356244152
Weight per piece (including packing)	36.59 g
Weight per piece (excluding packing)	31.33 g
Country of origin	DE

# RC-1RS1NP24100 - Device connector rear mounting



1603210

<https://www.phoenixcontact.com/us/products/1603210>

## Technical data

### Product properties

Product type	Circular connectors (device side)
--------------	-----------------------------------

### Connector

#### Housing

Type	Flange housing
Thread type	M23
Design	straight
Type of locking	Screw locking mechanism
Pg screw connection	none
Mounting type	Rear mounting/square flange (4x M3)
Material (Housing)	Metal
Degree of protection (plugged in)	IP67
Seal for the device	Flat gasket

# RC-1RS1NP24100 - Device connector rear mounting

1603210

<https://www.phoenixcontact.com/us/products/1603210>

## Drawings



Dimensional drawing

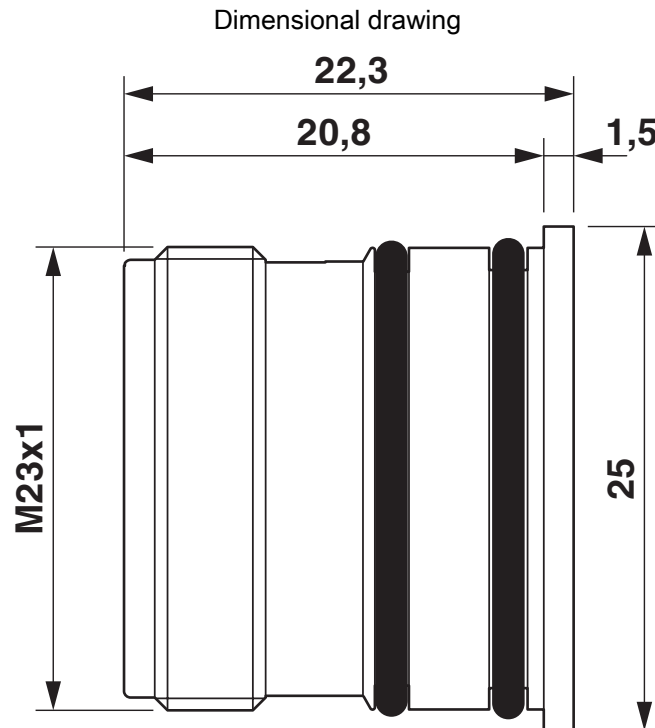


Installation dimensions

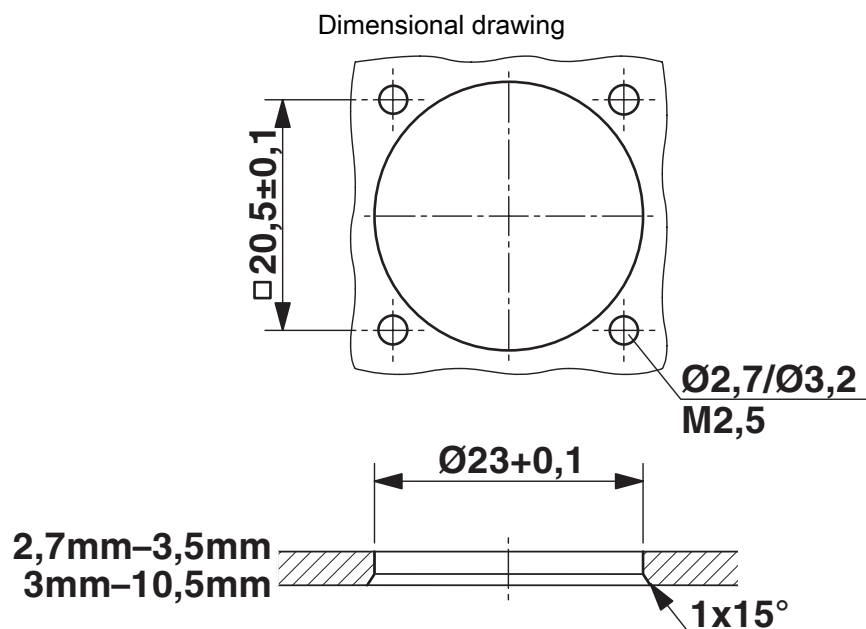
# RC-1RS1NP24100 - Device connector rear mounting

1603210

<https://www.phoenixcontact.com/us/products/1603210>



Dimensional drawing



Installation dimensions

# RC-1RS1NP24100 - Device connector rear mounting



1603210

<https://www.phoenixcontact.com/us/products/1603210>

Phoenix Contact 2026 © - all rights reserved

<https://www.phoenixcontact.com>

Phoenix Contact USA  
586 Fulling Mill Road  
Middletown, PA 17057, United States  
(+717) 944-1300  
[info@phoenixcon.com](mailto:info@phoenixcon.com)