

# RC-1RS1N12411A - Device connector rear mounting



1603171

<https://www.phoenixcontact.com/us/products/1603171>

Please be informed that the data shown in this PDF document is generated from our online catalog. Please find the complete data in the user documentation. Our general terms of use for downloads are valid.



The figure shows the 12-pos.  
product version

M23, Device connector rear mounting, application: Signal, series: RC, straight, Screw locking mechanism, Direction of rotation: Standard, contact connection type: Socket, Solder cup, Flat gasket, Panel thickness min.: 2.7 mm, Panel thickness max.: 3.5 mm, coding: N

## Commercial data

Item number	1603171
Packing unit	40 pc
Minimum order quantity	1 pc
Note	Made to order (non-returnable)
Product key	ABRAFR
GTIN	4046356243964
Weight per piece (including packing)	31.4 g
Weight per piece (excluding packing)	31.4 g
Country of origin	DE

# RC-1RS1N12411A - Device connector rear mounting



1603171

<https://www.phoenixcontact.com/us/products/1603171>

## Technical data

### Product properties

Product type	Circular connectors (device side)
--------------	-----------------------------------

### Connector

#### Insulating body

Coding	N
Connection method	Solder cup
Contact switching type	Socket
Application	Signal
Number of positions	19
Direction of rotation	Standard
Rated voltage Contact (Contact group 1)	48 V AC
	74 V DC
Rated surge voltage	1.5 kV
Overvoltage category	III
Degree of pollution	3

#### Housing

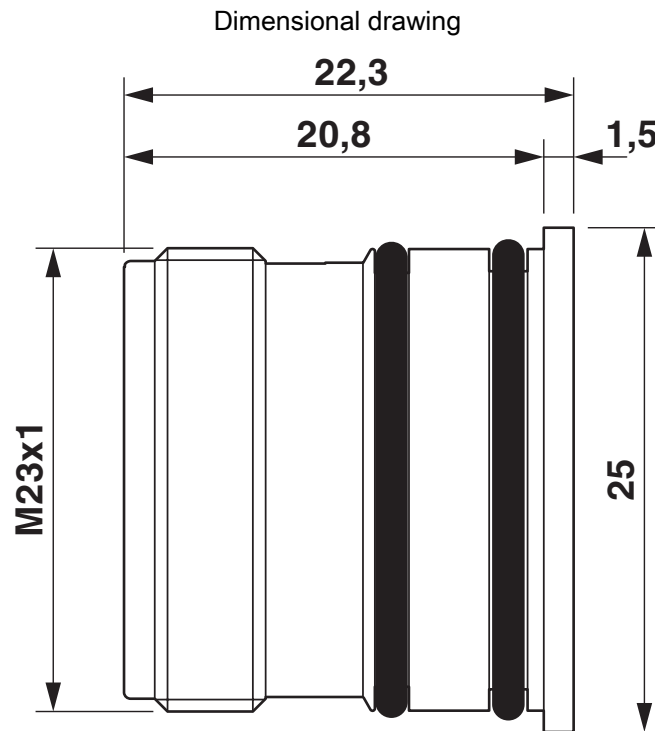
Type	Flange housing
Thread type	M23
Design	straight
Type of locking	Screw locking mechanism
Pg screw connection	none
Mounting type	Rear mounting/square flange (4x M3)
Material (Housing)	Metal
Degree of protection (plugged in)	IP67
Seal for the device	Flat gasket

# RC-1RS1N12411A - Device connector rear mounting

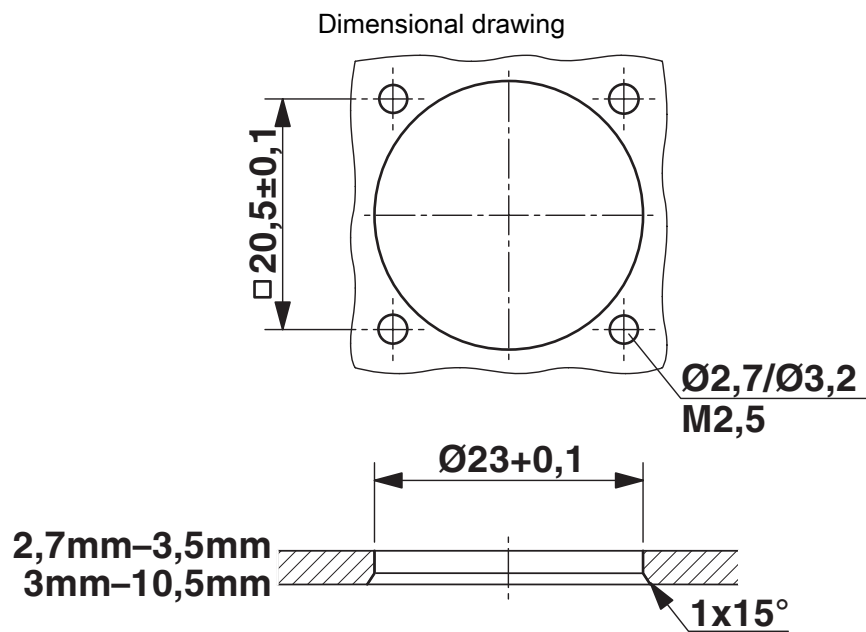
1603171

<https://www.phoenixcontact.com/us/products/1603171>

## Drawings



Dimensional drawing

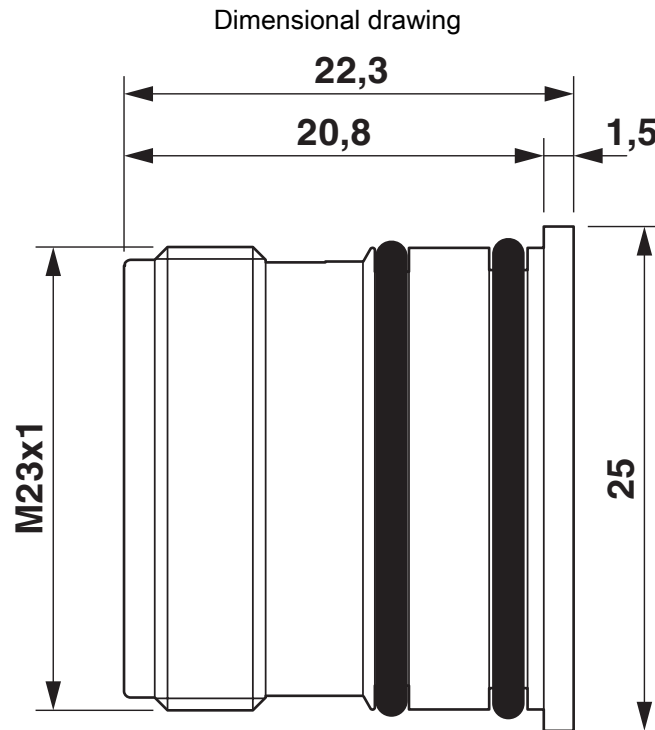


Installation dimensions

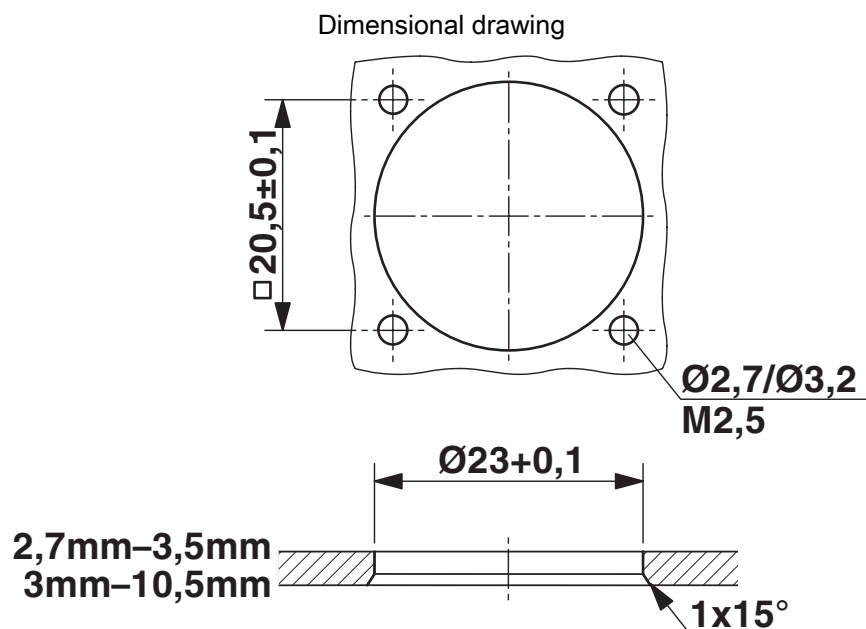
# RC-1RS1N12411A - Device connector rear mounting

1603171

<https://www.phoenixcontact.com/us/products/1603171>



Dimensional drawing



Installation dimensions

# RC-1RS1N12411A - Device connector rear mounting



1603171

<https://www.phoenixcontact.com/us/products/1603171>

Phoenix Contact 2026 © - all rights reserved

<https://www.phoenixcontact.com>

Phoenix Contact USA  
586 Fulling Mill Road  
Middletown, PA 17057, United States  
(+717) 944-1300  
[info@phoenixcon.com](mailto:info@phoenixcon.com)