

RC-1RP1NRA6000 - Crimp contact



1603081

<https://www.phoenixcontact.com/us/products/1603081>

Please be informed that the data shown in this PDF document is generated from our online catalog. Please find the complete data in the user documentation. Our general terms of use for downloads are valid.

Crimp contact



The figure shows the 12-pos. product version

Commercial data

| | |
|--------------------------------------|--------------------------------|
| Item number | 1603081 |
| Packing unit | 40 pc |
| Minimum order quantity | 1 pc |
| Note | Made to order (non-returnable) |
| Product key | ABRAFL |
| GTIN | 4046356243322 |
| Weight per piece (including packing) | 59.73 g |
| Weight per piece (excluding packing) | 59.73 g |
| Country of origin | DE |

RC-1RP1NRA6000 - Crimp contact



1603081

<https://www.phoenixcontact.com/us/products/1603081>

Technical data

Notes

Order information:

Order crimp contacts 16 x Ø 1 mm, 2 x Ø 1.5 mm, 1 x Ø 1.5 (PE) separately

Product properties

Product type

Circular connectors (device side)

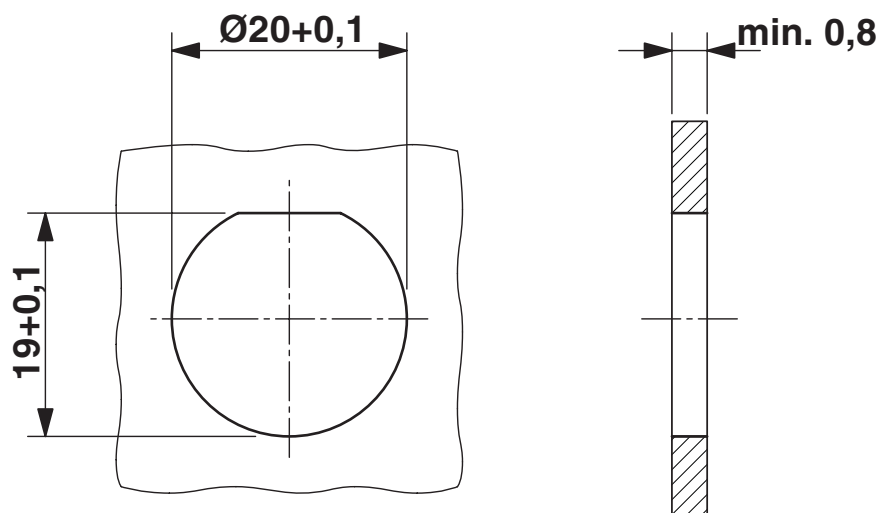
RC-1RP1NRA6000 - Crimp contact

1603081

<https://www.phoenixcontact.com/us/products/1603081>

Drawings

Dimensional drawing



Installation dimensions

RC-1RP1NRA6000 - Crimp contact



1603081

<https://www.phoenixcontact.com/us/products/1603081>

Classifications

UNSPSC

| | |
|-------------|----------|
| UNSPSC 21.0 | 39121413 |
|-------------|----------|

RC-1RP1NRA6000 - Crimp contact



1603081

<https://www.phoenixcontact.com/us/products/1603081>

Environmental product compliance

EU RoHS

| | |
|---|------|
| Fulfills EU RoHS substance requirements | Yes |
| Exemption | 6(c) |

China RoHS

| | |
|--|---|
| Environment friendly use period (EFUP) | EFUP-50 |
| | An article-related China RoHS declaration table can be found in the download area for the respective article under "Manufacturer declaration". For all articles with EFUP-E, no China RoHS declaration table issued and required. |

EU REACH SVHC

| | |
|-------------------------------------|----------------------------|
| REACH candidate substance (CAS No.) | No substance above 0.1 wt% |
|-------------------------------------|----------------------------|

Phoenix Contact 2026 © - all rights reserved
<https://www.phoenixcontact.com>

Phoenix Contact USA
586 Fulling Mill Road
Middletown, PA 17057, United States
(+717) 944-1300
info@phoenixcon.com