

RC-19P1NX241JS - Device connector rear mounting



1602734

<https://www.phoenixcontact.com/us/products/1602734>

Please be informed that the data shown in this PDF document is generated from our online catalog. Please find the complete data in the user documentation. Our general terms of use for downloads are valid.



M23, Device connector rear mounting, series: RC, straight, Screw locking mechanism, Flat gasket, Panel thickness min.: 2.7 mm, Panel thickness max.: 3.5 mm

The figure shows the 12-pos.
product version

Commercial data

Item number	1602734
Packing unit	20 pc
Minimum order quantity	20 pc
Sales key	AB31
Product key	ABRAFR
GTIN	4046356241274
Weight per piece (including packing)	39.56 g
Weight per piece (excluding packing)	36.501 g
Customs tariff number	85366990
Country of origin	DE

RC-19P1NX241JS - Device connector rear mounting



1602734

<https://www.phoenixcontact.com/us/products/1602734>

Technical data

Product properties

Product type	Circular connectors (device side)
--------------	-----------------------------------

Connector

Housing

Type	Flange housing
Thread type	M23
Design	straight
Type of locking	Screw locking mechanism
Pg screw connection	none
Mounting type	Rear mounting/square flange (4x M3)
Material (Housing)	Metal
Degree of protection (plugged in)	IP67
Seal for the device	Flat gasket

RC-19P1NX241JS - Device connector rear mounting

1602734

<https://www.phoenixcontact.com/us/products/1602734>

Drawings



Dimensional drawing

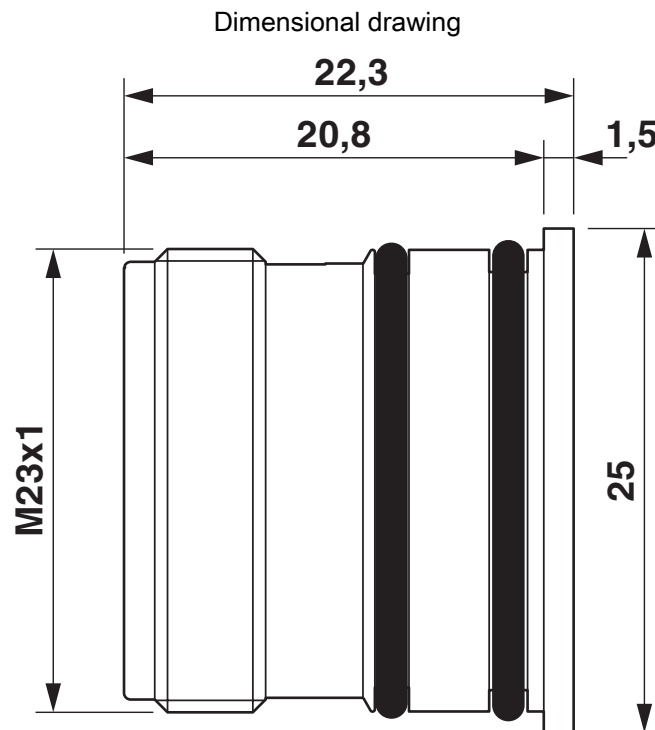


Installation dimensions

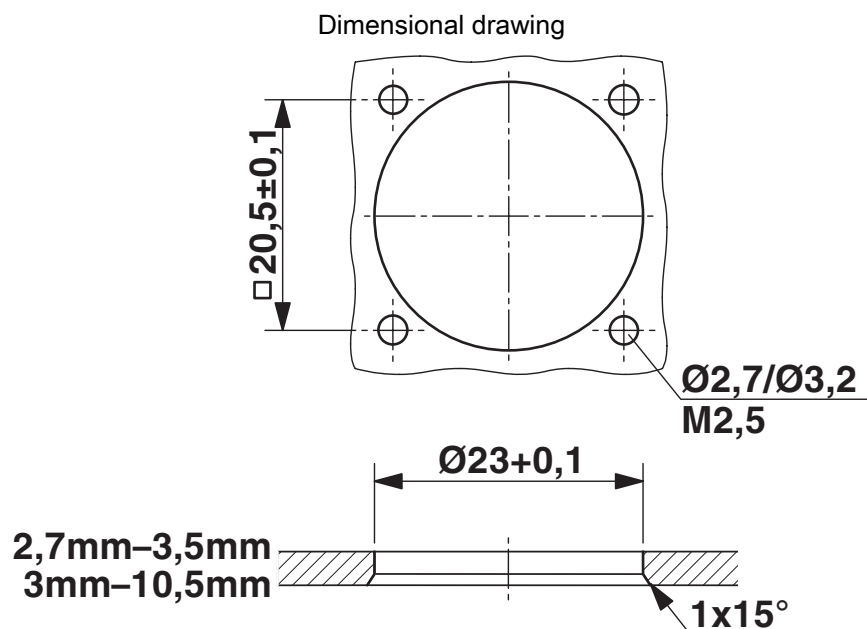
RC-19P1NX241JS - Device connector rear mounting

1602734

<https://www.phoenixcontact.com/us/products/1602734>



Dimensional drawing



Installation dimensions

RC-19P1NX241JS - Device connector rear mounting



1602734

<https://www.phoenixcontact.com/us/products/1602734>

Classifications

ECLASS

ECLASS-13.0

27440116

ETIM

ETIM 9.0

EC002635

UNSPSC

UNSPSC 21.0

39121400

1602734

<https://www.phoenixcontact.com/us/products/1602734>

Environmental product compliance

EU RoHS

Fulfills EU RoHS substance requirements	Yes
Exemption	6(c)

China RoHS

Environment friendly use period (EFUP)	EFUP-50
	An article-related China RoHS declaration table can be found in the download area for the respective article under "Manufacturer declaration". For all articles with EFUP-E, no China RoHS declaration table issued and required.

EU REACH SVHC

REACH candidate substance (CAS No.)	Lead(CAS: 7439-92-1)
SCIP	fa1c890d-575e-4125-a44f-2ca794726cb2

Phoenix Contact 2026 © - all rights reserved

<https://www.phoenixcontact.com>

Phoenix Contact USA
586 Fulling Mill Road
Middletown, PA 17057, United States
(+717) 944-1300
info@phoenixcon.com