

# RC-19P1NT24100 - Device connector rear mounting



1602721

<https://www.phoenixcontact.com/us/products/1602721>

Please be informed that the data shown in this PDF document is generated from our online catalog. Please find the complete data in the user documentation. Our general terms of use for downloads are valid.



M23, Device connector rear mounting, application: Signal, series: RC, straight, Screw locking mechanism, No. of pos.: 16+3, Direction of rotation: Standard, contact connection type: Pin, Solder-in connection, Flat gasket, Panel thickness min.: 2.7 mm, Panel thickness max.: 3.5 mm, coding: N

The figure shows the 12-pos. product version

## Commercial data

Item number	1602721
Packing unit	1 pc
Note	Made to order (non-returnable)
Sales key	AB31
Product key	ABRAFR
GTIN	4046356241199
Weight per piece (including packing)	39.31 g
Weight per piece (excluding packing)	33.64 g
Customs tariff number	85366990
Country of origin	DE

# RC-19P1NT24100 - Device connector rear mounting



1602721

<https://www.phoenixcontact.com/us/products/1602721>

## Technical data

### Product properties

Product type	Circular connectors (device side)
--------------	-----------------------------------

### Connector

#### Insulating body

Coding	N
Connection method	Solder-in connection
Contact switching type	Pin
Application	Signal
Number of positions	19
Direction of rotation	Standard
Connection profile	16+3
Number (Contact group 1)	3
Contact diameter (Contact group 1)	1.5 mm
Litz wires Min. cross section (Contact group 1)	0.08 mm <sup>2</sup>
Litz wires Max. cross section (Contact group 1)	1 mm <sup>2</sup>
Rated current Contact (Contact group 1)	10 A (for max. connection cross section)
Rated voltage Contact (Contact group 1)	48 V AC 74 V DC
Rated surge voltage	1.5 kV
Overvoltage category	III
Degree of pollution	3
Number (Contact group 2)	16
Contact diameter (Contact group 2)	1 mm
Litz wires Max. cross section (Contact group 2)	1 mm <sup>2</sup>
Rated current Contact (Contact group 2)	8 A

#### Housing

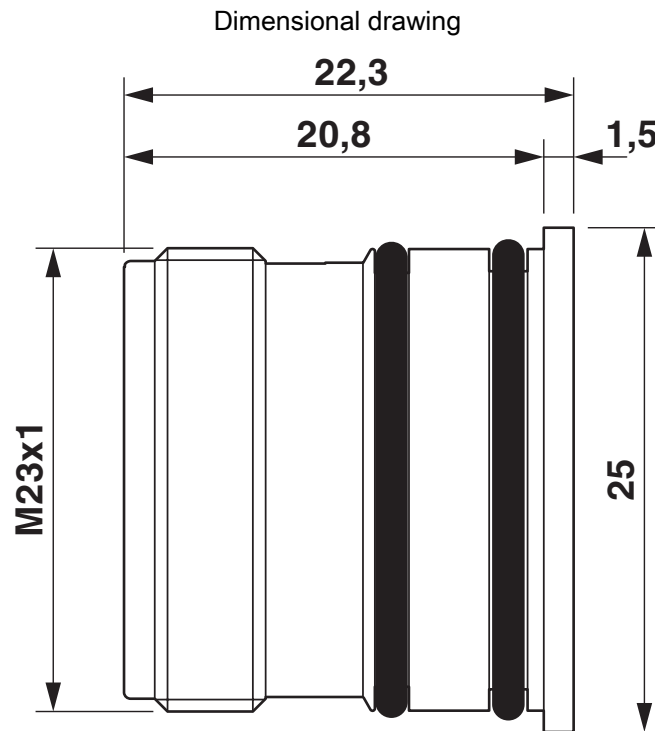
Type	Flange housing
Thread type	M23
Design	straight
Type of locking	Screw locking mechanism
Pg screw connection	none
Mounting type	Rear mounting/square flange (4x M3)
Material (Housing)	Metal
Degree of protection (plugged in)	IP67
Seal for the device	Flat gasket

# RC-19P1NT24100 - Device connector rear mounting

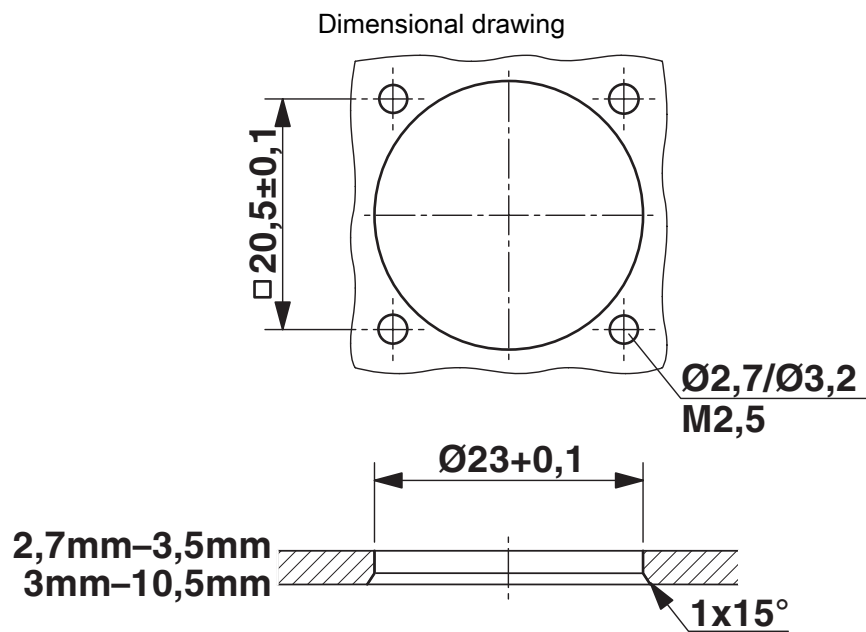
1602721

<https://www.phoenixcontact.com/us/products/1602721>

## Drawings



Dimensional drawing

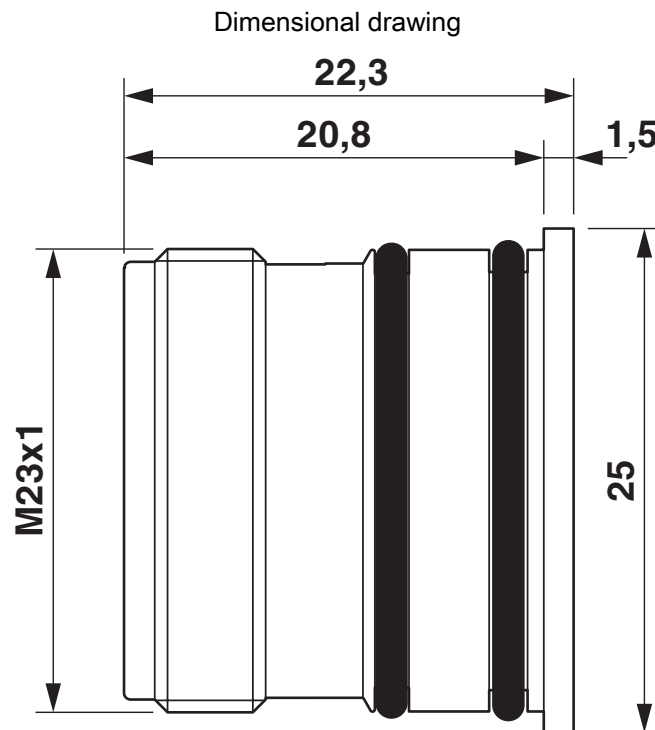


Installation dimensions

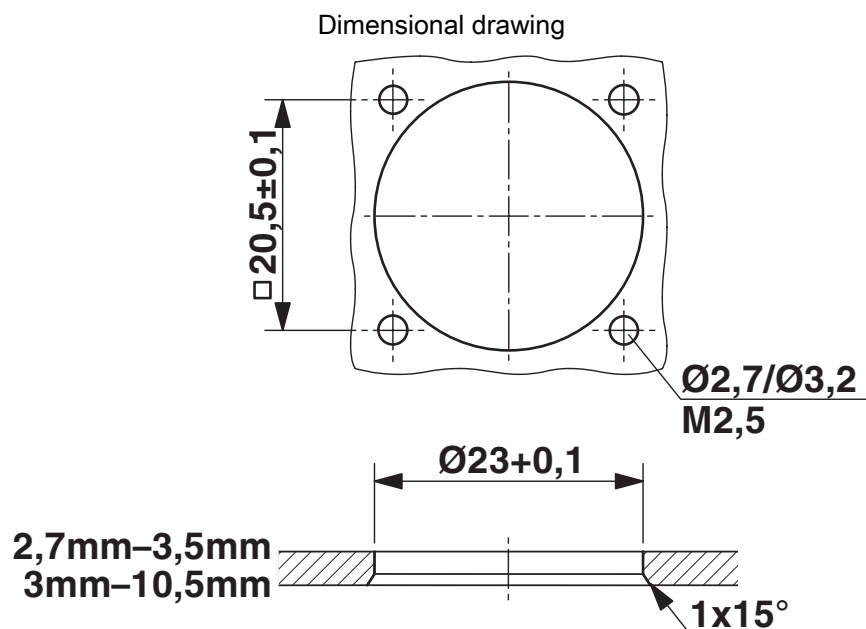
# RC-19P1NT24100 - Device connector rear mounting

1602721

<https://www.phoenixcontact.com/us/products/1602721>



Dimensional drawing



Installation dimensions

1602721

<https://www.phoenixcontact.com/us/products/1602721>

Schematic diagram



Connector pin assignment

# RC-19P1NT24100 - Device connector rear mounting



1602721

<https://www.phoenixcontact.com/us/products/1602721>

## Classifications

### UNSPSC

UNSPSC 21.0	39121413
-------------	----------

1602721

<https://www.phoenixcontact.com/us/products/1602721>

## Environmental product compliance

### EU RoHS

Fulfills EU RoHS substance requirements	Yes
Exemption	6(c)

### China RoHS

Environment friendly use period (EFUP)	EFUP-50
	An article-related China RoHS declaration table can be found in the download area for the respective article under "Manufacturer declaration". For all articles with EFUP-E, no China RoHS declaration table issued and required.

### EU REACH SVHC

REACH candidate substance (CAS No.)	No substance above 0.1 wt%
-------------------------------------	----------------------------

Phoenix Contact 2026 © - all rights reserved  
<https://www.phoenixcontact.com>

Phoenix Contact USA  
586 Fulling Mill Road  
Middletown, PA 17057, United States  
(+717) 944-1300  
[info@phoenixcon.com](mailto:info@phoenixcon.com)