

# RC-17S1N8AQ0GK - Device connector rear mounting



1602247

<https://www.phoenixcontact.com/us/products/1602247>

Please be informed that the data shown in this PDF document is generated from our online catalog. Please find the complete data in the user documentation. Our general terms of use for downloads are valid.



M23, Device connector rear mounting, application: Signal, series: RC, straight, shielded: yes, No. of pos.: 17, Direction of rotation: Standard, contact connection type: Socket, Crimp connection, Axial O-ring, cable diameter range: 7.5 mm ... 9.5 mm, coding: N, Alternative product in accordance with RoHS II without Exemption 6c (Pb < 0.1 %) item no.: 1241450

## Commercial data

Item number	1602247
Packing unit	12 pc
Minimum order quantity	1 pc
Note	Made to order (non-returnable)
Product key	ABRAFJ
GTIN	4046356238779
Weight per piece (including packing)	103.96 g
Weight per piece (excluding packing)	96.98 g
Country of origin	DE

1602247

<https://www.phoenixcontact.com/us/products/1602247>

## Technical data

### Notes

Order information:	Order crimp contacts Ø 1 mm separately
--------------------	--

### Product properties

Product type	Circular connector (cable-side)
--------------	---------------------------------

### Connector

#### Insulating body

Note	Order information: Order crimp contacts Ø 1 mm separately
Coding	N
Material (Insulating body)	PA 6.6
Connection method	Crimp connection
Contact switching type	Socket
Application	Signal
Number of positions	17
Direction of rotation	Standard
Connection profile	17
Number (Contact group 1)	17
Contact diameter (Contact group 1)	1 mm
Rated current Contact (Contact group 1)	8 A (for max. connection cross section)
Rated voltage Contact (Contact group 1)	48 V AC 74 V DC
Rated surge voltage	1.5 kV
Overvoltage category	III
Degree of pollution	3

#### Housing

Type	Feed-through header
Thread type	M23
Design	straight
Mounting type	Rear mounting
Assembly note	Central fastening
Material (Housing)	GD-Zn
Material (Housing surface)	Ni
Material (Rotating parts)	CuZn
Degree of protection (plugged in)	IP67
Seal for the device	Axial O-ring

#### Seal

External cable diameter	7.5 mm ... 9.5 mm
Seal material	NBR

1602247

<https://www.phoenixcontact.com/us/products/1602247>

## Environmental and real-life conditions

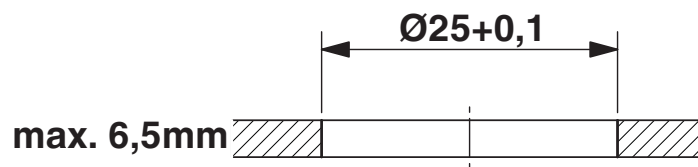
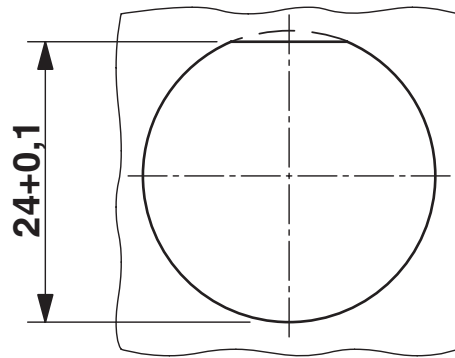
### Ambient conditions

Permissible humidity (storage/transport)
--

50 % ... 65 %
---------------

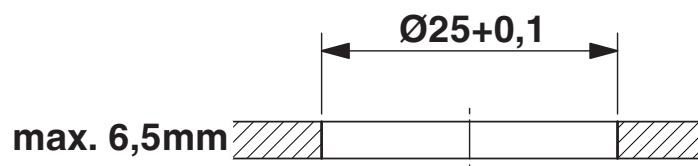
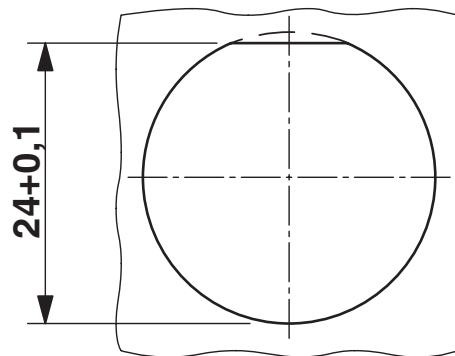
Drawings

Dimensional drawing



Installation dimensions

Dimensional drawing



Installation dimensions

Schematic diagram



Connector pin assignment

# RC-17S1N8AQ0GK - Device connector rear mounting



1602247

<https://www.phoenixcontact.com/us/products/1602247>

## Classifications

### ECLASS

ECLASS-13.0

27440116

### UNSPSC

UNSPSC 21.0

39121400

1602247

<https://www.phoenixcontact.com/us/products/1602247>

## Environmental product compliance

### EU RoHS

Fulfills EU RoHS substance requirements	Yes
Exemption	6(c)

### China RoHS

Environment friendly use period (EFUP)	EFUP-50
	An article-related China RoHS declaration table can be found in the download area for the respective article under "Manufacturer declaration". For all articles with EFUP-E, no China RoHS declaration table issued and required.

### EU REACH SVHC

REACH candidate substance (CAS No.)	Lead(CAS: 7439-92-1)
SCIP	85339601-bd1a-44b1-b883-55549beb8a46

Phoenix Contact 2026 © - all rights reserved

<https://www.phoenixcontact.com>

Phoenix Contact USA  
586 Fulling Mill Road  
Middletown, PA 17057, United States  
(+717) 944-1300  
[info@phoenixcon.com](mailto:info@phoenixcon.com)