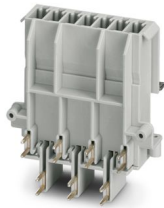


DC-B 6-IB-7X4-PCB- 90 - Contact insert

1602180

<https://www.phoenixcontact.com/us/products/1602180>

Please be informed that the data shown in this PDF document is generated from our online catalog. Please find the complete data in the user documentation. Our general terms of use for downloads are valid.



DUPLICON, panel mounting contact insert, 6 x 4 mm² + PE, 400/690 V, 25 A, 90° PCB connection, type B6, IP20 protection

Commercial data

Item number	1602180
Packing unit	1 pc
Note	Made to order (non-returnable)
Sales key	B10
Product key	AF7BBB
GTIN	4046356027885
Weight per piece (including packing)	49.44 g
Weight per piece (excluding packing)	49.44 g
Customs tariff number	85369010
Country of origin	DE

DC-B 6-IB-7X4-PCB- 90 - Contact insert



1602180

<https://www.phoenixcontact.com/us/products/1602180>

Technical data

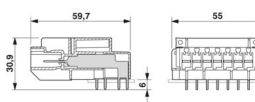
Product properties

Product type	Contact insert with a fixed no. of positions
Type	DC-B6
Number of positions	6
Connection profile	6+PE

Insulation characteristics

Overvoltage category	III
Degree of pollution	3

Dimensions

Dimensional drawing	
Width	55 mm
Height	30.9 mm
Length	59.7 mm

Connection data

Connection technology

Connection technology	Solder connection
-----------------------	-------------------

Electrical properties

Rated voltage (III/3)	400 V (Conductor-PE)
	690 V (Conductor-Conductor)
Rated surge voltage	6 kV
Rated current	25 A
	25 A

Mechanical properties

Mechanical data

Insertion/withdrawal cycles	≥ 100
-----------------------------	-------

Material specifications

Color	gray
Flammability rating according to UL 94	V0
Contact material	Cu
Contact surface material	Ag

DC-B 6-IB-7X4-PCB- 90 - Contact insert



1602180

<https://www.phoenixcontact.com/us/products/1602180>

Contact carrier material	PA
--------------------------	----

Environmental and real-life conditions

Ambient conditions

Degree of protection	IP20
Ambient temperature (operation)	-40 °C ... 100 °C

DC-B 6-IB-7X4-PCB- 90 - Contact insert

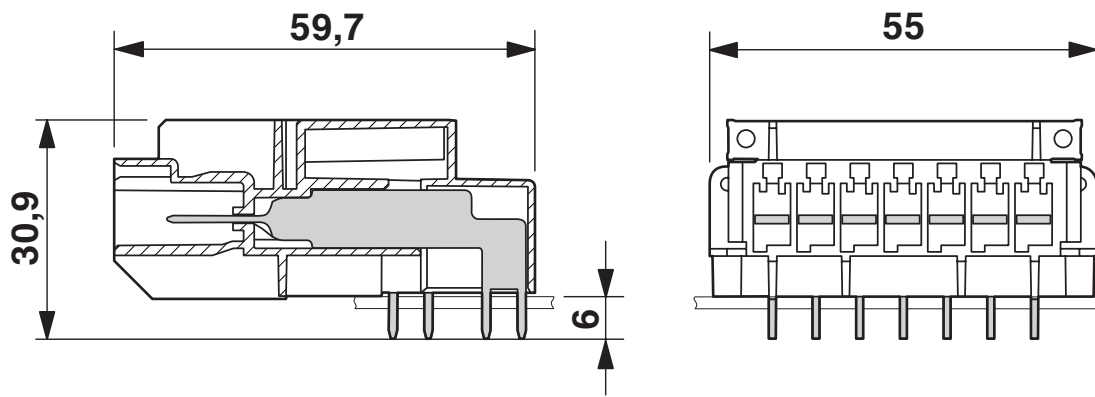


1602180

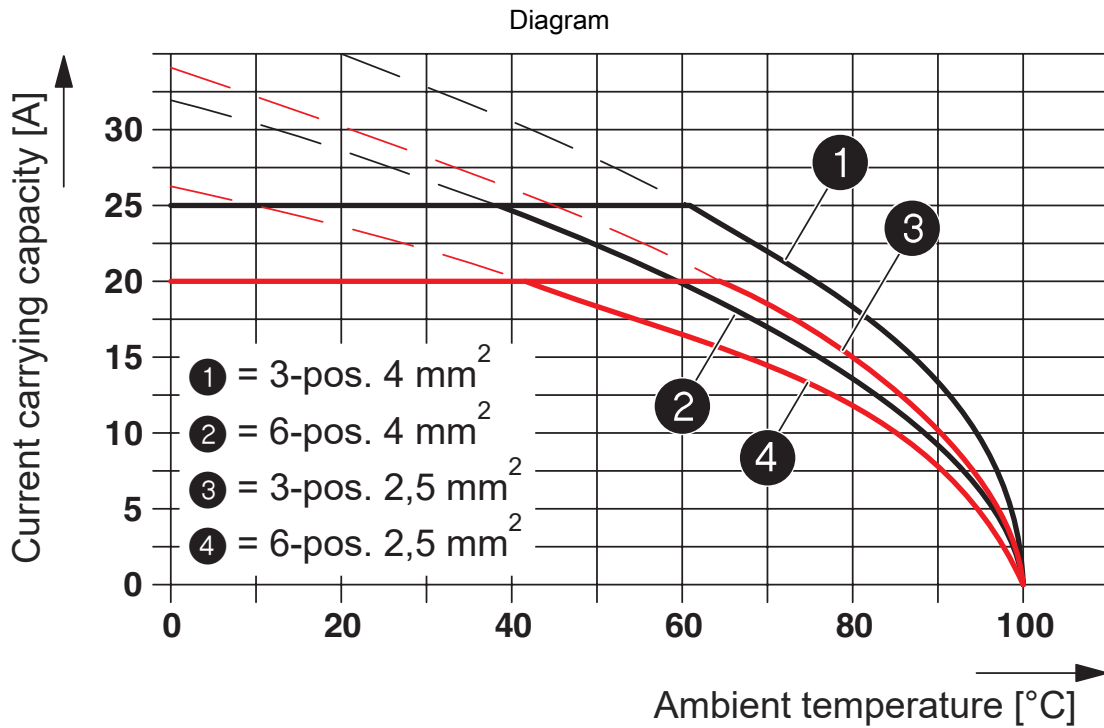
<https://www.phoenixcontact.com/us/products/1602180>

Drawings

Dimensional drawing

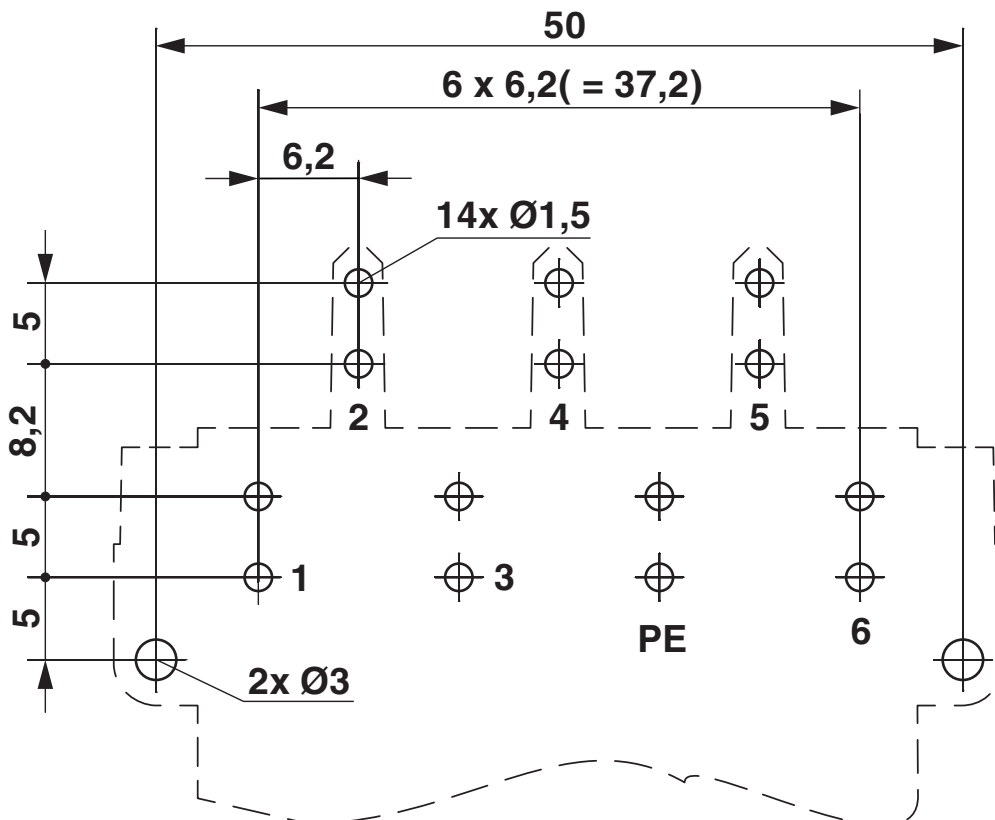


Dimensional drawing



Derating diagram

Drilling plan/solder pad geometry



Drilling diagram: DC-...PCB-90

DC-B 6-IB-7X4-PCB- 90 - Contact insert



1602180

<https://www.phoenixcontact.com/us/products/1602180>

Environmental product compliance

EU RoHS

Fulfills EU RoHS substance requirements	Yes, No exemptions
---	--------------------

China RoHS

Environment friendly use period (EFUP)	EFUP-E
	No hazardous substances above the limits

EU REACH SVHC

REACH candidate substance (CAS No.)	No substance above 0.1 wt%
-------------------------------------	----------------------------

Phoenix Contact 2026 © - all rights reserved

<https://www.phoenixcontact.com>

Phoenix Contact USA
586 Fulling Mill Road
Middletown, PA 17057, United States
(+717) 944-1300
info@phoenixcon.com