

# RC-17P1NC2H000 - Device connector rear mounting



1601654

<https://www.phoenixcontact.com/us/products/1601654>

Please be informed that the data shown in this PDF document is generated from our online catalog. Please find the complete data in the user documentation. Our general terms of use for downloads are valid.



M23, Device connector rear mounting, application: Signal, series: RC, straight, shielded: yes, Screw locking mechanism, No. of pos.: 17, Direction of rotation: Standard, contact connection type: Pin, Solder-in connection, Axial O-ring, Panel thickness min.: 0.8 mm, Panel thickness max.: 6.5 mm, coding: N

The figure shows the 12-pos.  
product version

## Commercial data

Item number	1601654
Packing unit	10 pc
Minimum order quantity	1 pc
Note	Made to order (non-returnable)
Product key	ABRAFR
GTIN	4046356235914
Weight per piece (including packing)	58.32 g
Weight per piece (excluding packing)	58.32 g
Country of origin	DE

# RC-17P1NC2H000 - Device connector rear mounting



1601654

<https://www.phoenixcontact.com/us/products/1601654>

## Technical data

### Product properties

Product type	Circular connectors (device side)
--------------	-----------------------------------

### Connector

#### Insulating body

Coding	N
Material (Insulating body)	PBT
Material (Contact)	CuZn
Material (Contact surface)	Ni/Au
Insertion/withdrawal cycles	50
Connection method	Solder-in connection
Contact switching type	Pin
Application	Signal
Number of positions	17
Direction of rotation	Standard
Connection profile	17
Number (Contact group 1)	17
Contact diameter (Contact group 1)	1 mm
Rated current Contact (Contact group 1)	8 A (for max. connection cross section)
Rated voltage Contact (Contact group 1)	48 V AC 74 V DC
Rated surge voltage	1.5 kV
Overvoltage category	III
Degree of pollution	3

#### Housing

Type	Feed-through header
Thread type	M23
Design	straight
Type of locking	Screw locking mechanism
Pg screw connection	none
Mounting type	Rear mounting (M25 x 1,5)
Assembly note	Central fastening
Material (Housing)	GD-Zn
Material (Housing surface)	Ni
Material (Rotating parts)	CuZn
Degree of protection (plugged in)	IP67
Seal for the device	Axial O-ring

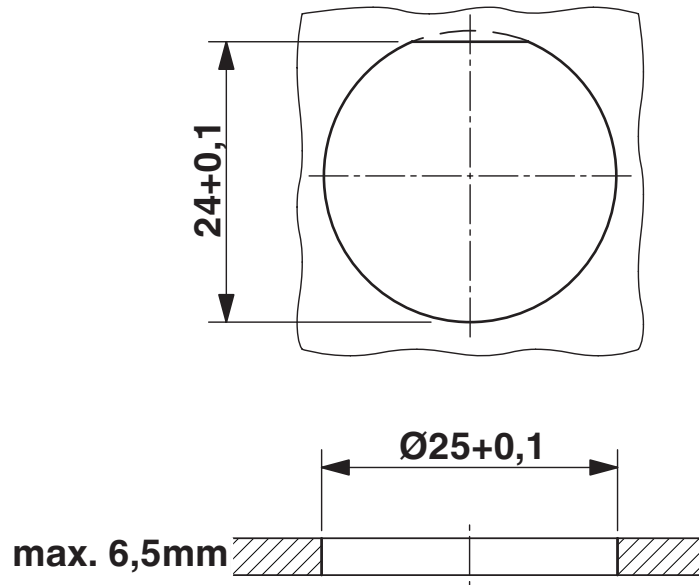
# RC-17P1NC2H000 - Device connector rear mounting

1601654

<https://www.phoenixcontact.com/us/products/1601654>

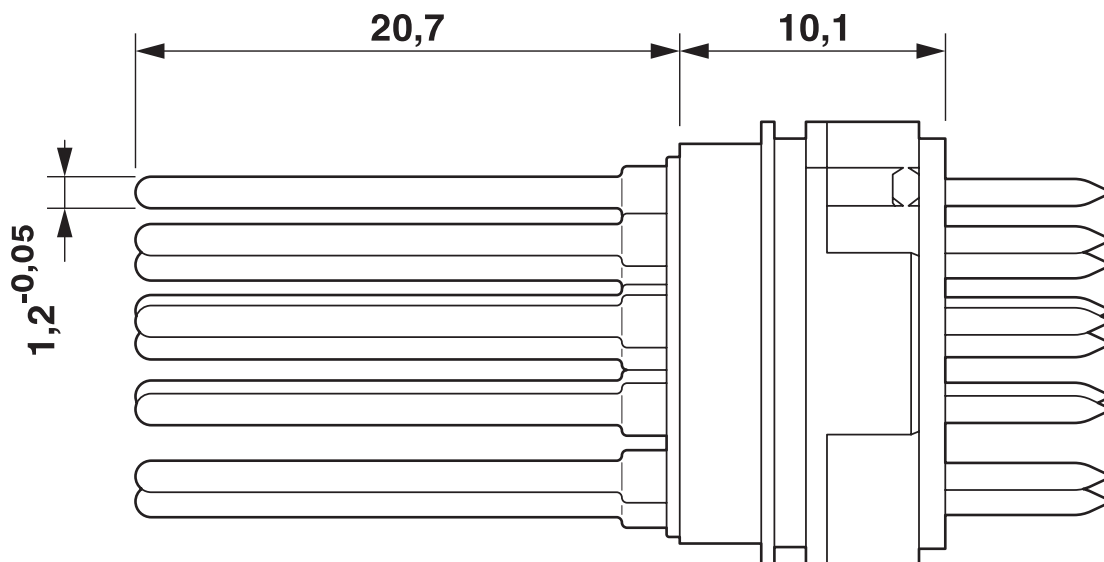
## Drawings

Dimensional drawing



Installation dimensions

Dimensional drawing



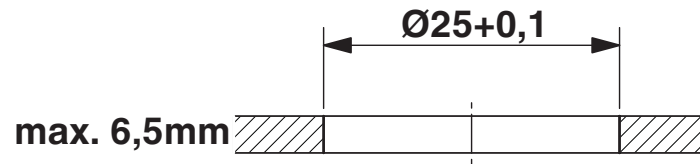
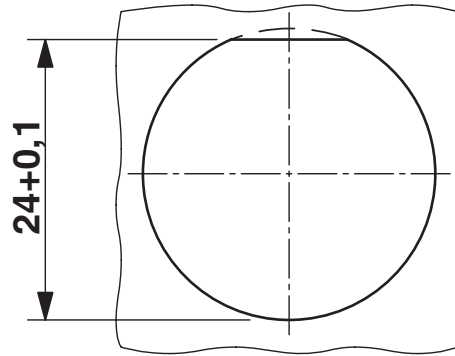
Dimensional drawing

# RC-17P1NC2H000 - Device connector rear mounting

1601654

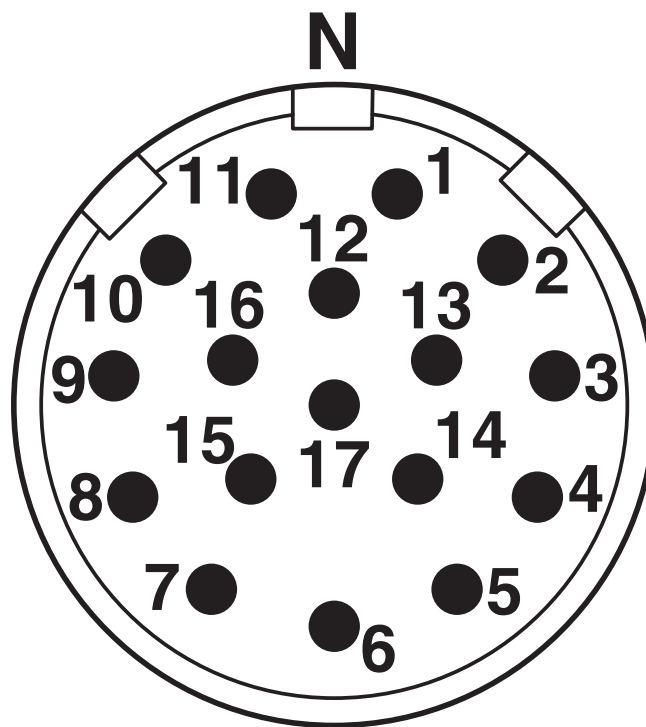
<https://www.phoenixcontact.com/us/products/1601654>

Dimensional drawing



Installation dimensions

Schematic diagram



Connector pin assignment

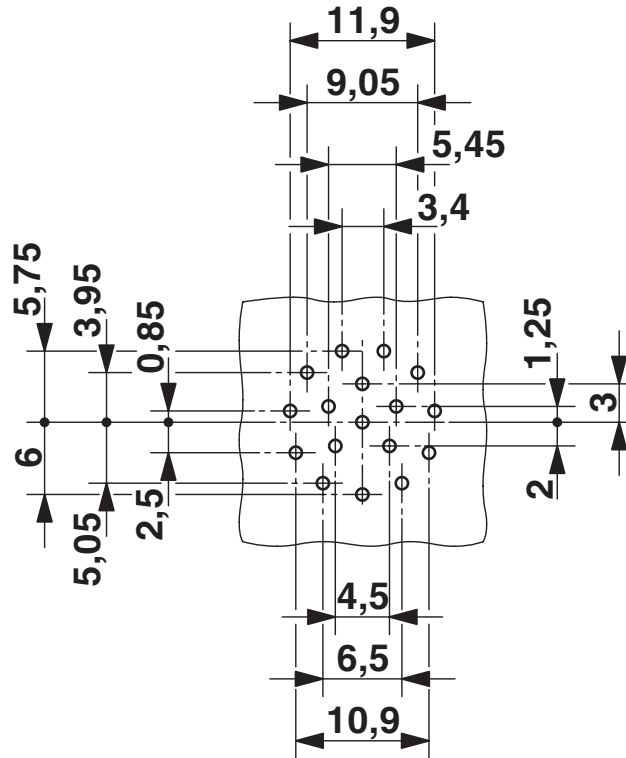
# RC-17P1NC2H000 - Device connector rear mounting



1601654

<https://www.phoenixcontact.com/us/products/1601654>

Drilling plan/solder pad geometry



1601654

<https://www.phoenixcontact.com/us/products/1601654>

## Environmental product compliance

### China RoHS

Environment friendly use period (EFUP)	EFUP-50
	An article-related China RoHS declaration table can be found in the download area for the respective article under "Manufacturer declaration". For all articles with EFUP-E, no China RoHS declaration table issued and required.

### EU REACH SVHC

REACH candidate substance (CAS No.)	No substance above 0.1 wt%
-------------------------------------	----------------------------

Phoenix Contact 2026 © - all rights reserved  
<https://www.phoenixcontact.com>

Phoenix Contact USA  
586 Fulling Mill Road  
Middletown, PA 17057, United States  
(+717) 944-1300  
[info@phoenixcon.com](mailto:info@phoenixcon.com)