

RC-17P1NC2E000 - Device connector rear mounting



1601652

<https://www.phoenixcontact.com/us/products/1601652>

Please be informed that the data shown in this PDF document is generated from our online catalog. Please find the complete data in the user documentation. Our general terms of use for downloads are valid.



M23, Device connector rear mounting, application: Signal, series: RC, straight, shielded: yes, Screw locking mechanism, No. of pos.: 17, Direction of rotation: Standard, contact connection type: Pin, Solder-in connection, Radial O-ring, Panel thickness min.: 3 mm, Panel thickness max.: 10.5 mm, coding: N. This product is in the process of being discontinued. This product must no longer be considered for new projects. Please contact your sales representative for alternatives.

Commercial data

Item number	1601652
Packing unit	20 pc
Minimum order quantity	1 pc
Note	Made to order (non-returnable)
Product key	ABRAFR
GTIN	4046356235907
Weight per piece (including packing)	50.255 g
Weight per piece (excluding packing)	46.437 g
Country of origin	DE

1601652

<https://www.phoenixcontact.com/us/products/1601652>

Technical data

Product properties

Product type	Circular connectors (device side)
--------------	-----------------------------------

Material specifications

Flammability rating according to UL 94	V0
--	----

Connector

Insulating body

Coding	N
Material (Insulating body)	PBT
Material (Contact)	CuZn
Material (Contact surface)	Ni/Au
Insertion/withdrawal cycles	50
Connection method	Solder-in connection
Contact switching type	Pin
Application	Signal
Number of positions	17
Direction of rotation	Standard
Connection profile	17
Number (Contact group 1)	17
Contact diameter (Contact group 1)	1 mm
Rated current Contact (Contact group 1)	8 A (for max. connection cross section)
Rated voltage Contact (Contact group 1)	48 V AC 74 V DC
Rated surge voltage	1.5 kV
Overvoltage category	III
Degree of pollution	3

Housing

Type	Flange housing
Thread type	M23
Design	straight
Type of locking	Screw locking mechanism
Pg screw connection	none
Mounting type	Rear mounting/square flange (4x M3)
Material (Housing)	GD-Zn
Material (Housing surface)	Ni
Material (Rotating parts)	CuZn
Degree of protection (plugged in)	IP67
Seal for the device	Radial O-ring

RC-17P1NC2E000 - Device connector rear mounting



1601652

<https://www.phoenixcontact.com/us/products/1601652>

Environmental and real-life conditions

Ambient conditions

Degree of protection	IP67
----------------------	------

RC-17P1NC2E000 - Device connector rear mounting

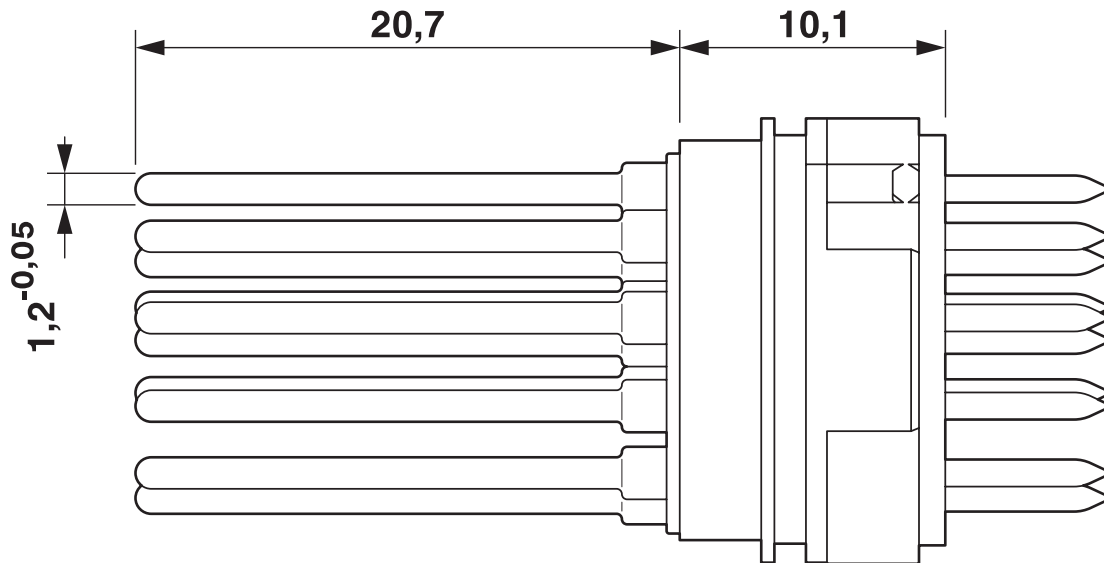


1601652

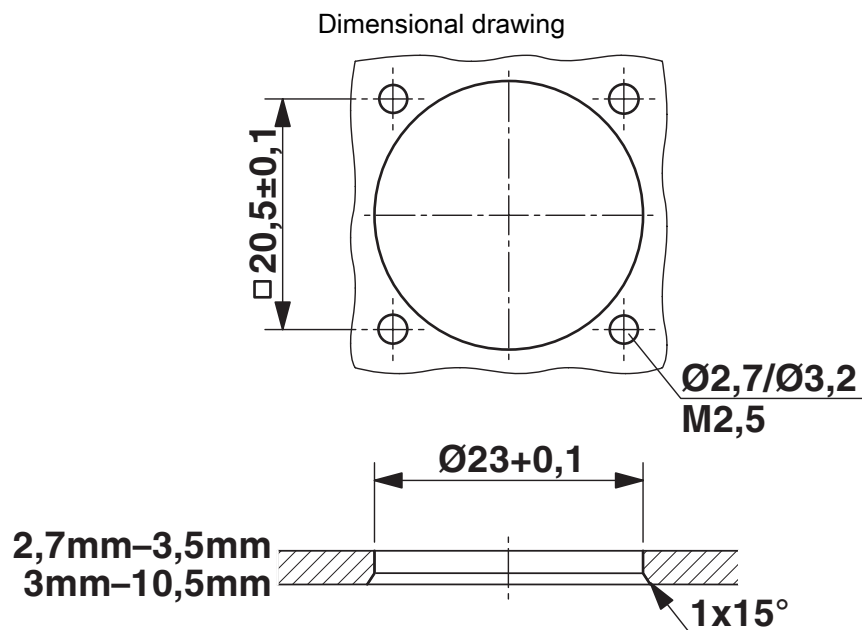
<https://www.phoenixcontact.com/us/products/1601652>

Drawings

Dimensional drawing



Dimensional drawing



Installation dimensions

RC-17P1NC2E000 - Device connector rear mounting

1601652

<https://www.phoenixcontact.com/us/products/1601652>

Schematic diagram



Connector pin assignment

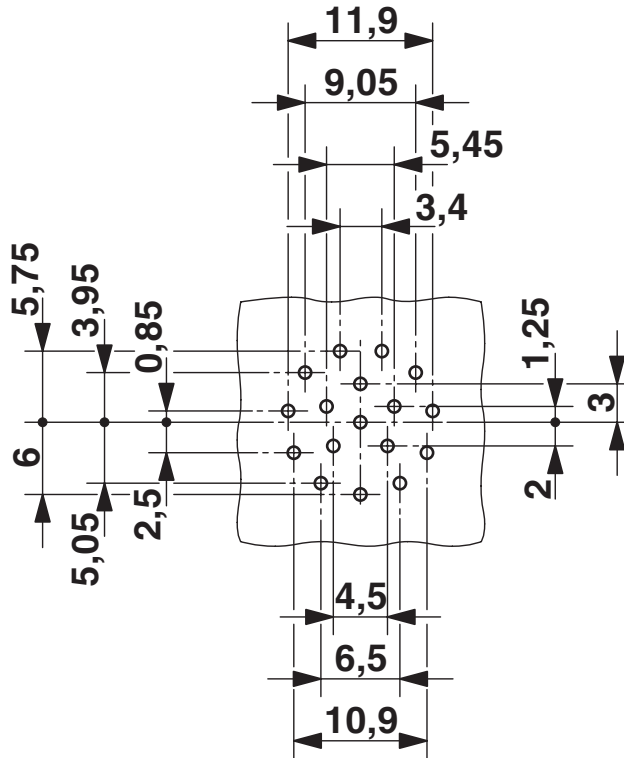
RC-17P1NC2E000 - Device connector rear mounting



1601652

<https://www.phoenixcontact.com/us/products/1601652>

Drilling plan/solder pad geometry



RC-17P1NC2E000 - Device connector rear mounting



1601652

<https://www.phoenixcontact.com/us/products/1601652>

Classifications

ECLASS

ECLASS-13.0	27440109
ECLASS-15.0	27440109

ETIM

ETIM 10.0	EC003569
-----------	----------

UNSPSC

UNSPSC 21.0	39121400
-------------	----------

RC-17P1NC2E000 - Device connector rear mounting



1601652

<https://www.phoenixcontact.com/us/products/1601652>

Environmental product compliance

EU RoHS

Fulfills EU RoHS substance requirements	Yes
Exemption	6(c)

China RoHS

Environment friendly use period (EFUP)	EFUP-50
	An article-related China RoHS declaration table can be found in the download area for the respective article under "Manufacturer declaration". For all articles with EFUP-E, no China RoHS declaration table issued and required.

EU REACH SVHC

REACH candidate substance (CAS No.)	Lead(CAS: 7439-92-1)
SCIP	2e25355a-b31e-4cbc-92de-6c2bfae221a8

Phoenix Contact 2026 © - all rights reserved

<https://www.phoenixcontact.com>

Phoenix Contact USA
586 Fulling Mill Road
Middletown, PA 17057, United States
(+717) 944-1300
info@phoenixcon.com