

RC-17P1N8AW200 - Device connector front mounting



1601620

<https://www.phoenixcontact.com/us/products/1601620>

Please be informed that the data shown in this PDF document is generated from our online catalog. Please find the complete data in the user documentation. Our general terms of use for downloads are valid.



The figure shows the 12-pos.
product version

M23, Device connector front mounting, application: Signal, series: RC, straight, shielded: yes, Screw locking mechanism, No. of pos.: 17, Direction of rotation: Standard, contact connection type: Pin, Crimp connection, Radial O-ring, coding: N

Commercial data

Item number	1601620
Packing unit	40 pc
Minimum order quantity	1 pc
Note	Made to order (non-returnable)
Product key	ABRAFL
GTIN	4046356235730
Weight per piece (including packing)	42.966 g
Weight per piece (excluding packing)	25.73 g
Country of origin	DE

1601620

<https://www.phoenixcontact.com/us/products/1601620>

Technical data

Notes

Order information:	Order crimp contacts Ø 1 mm separately
--------------------	--

Product properties

Product type	Circular connectors (device side)
--------------	-----------------------------------

Connector

Insulating body

Note	Order information: Order crimp contacts Ø 1 mm separately
Coding	N
Material (Insulating body)	PA 6.6
Connection method	Crimp connection
Contact switching type	Pin
Application	Signal
Number of positions	17
Direction of rotation	Standard
Connection profile	17
Number (Contact group 1)	17
Contact diameter (Contact group 1)	1 mm
Rated current Contact (Contact group 1)	8 A (for max. connection cross section)
Rated voltage Contact (Contact group 1)	48 V AC 74 V DC
Rated surge voltage	1.5 kV
Overvoltage category	III
Degree of pollution	3

Housing

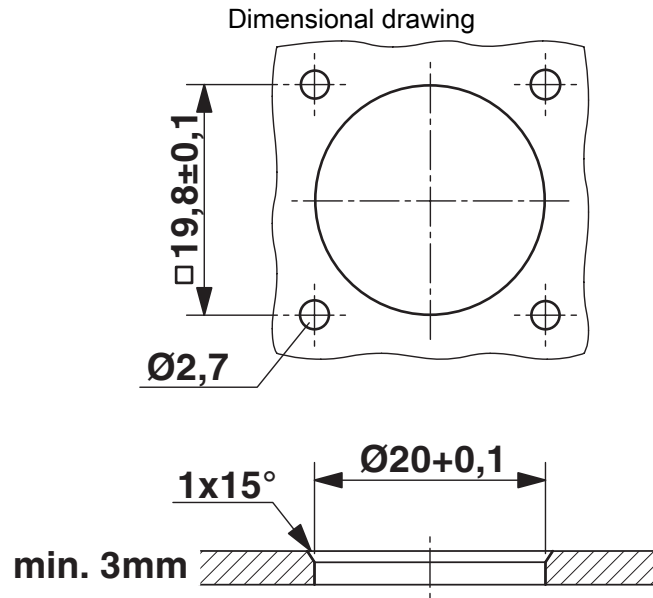
Type	Flange housing
Thread type	M23
Design	straight
Type of locking	Screw locking mechanism
Pg screw connection	none
Mounting type	Front mounting/square flange (4x Ø 2.7 mm)
Material (Housing)	Metal
Degree of protection (plugged in)	IP67
Seal for the device	Radial O-ring

RC-17P1N8AW200 - Device connector front mounting

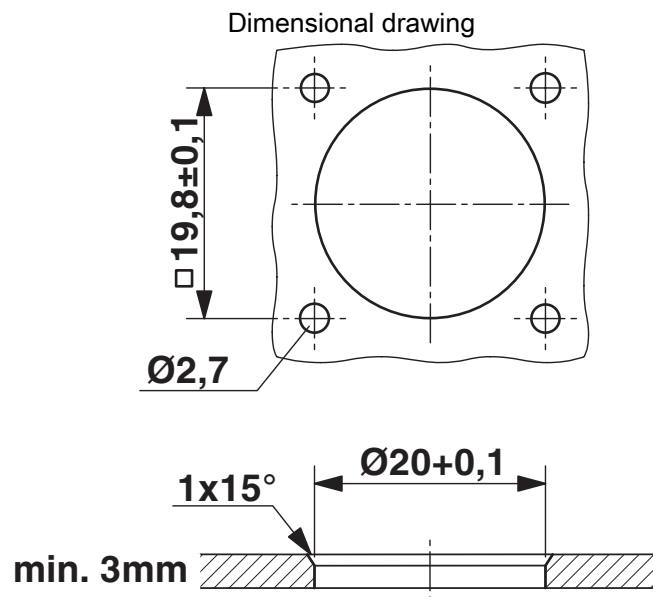
1601620

<https://www.phoenixcontact.com/us/products/1601620>

Drawings



Installation dimensions



Installation dimensions

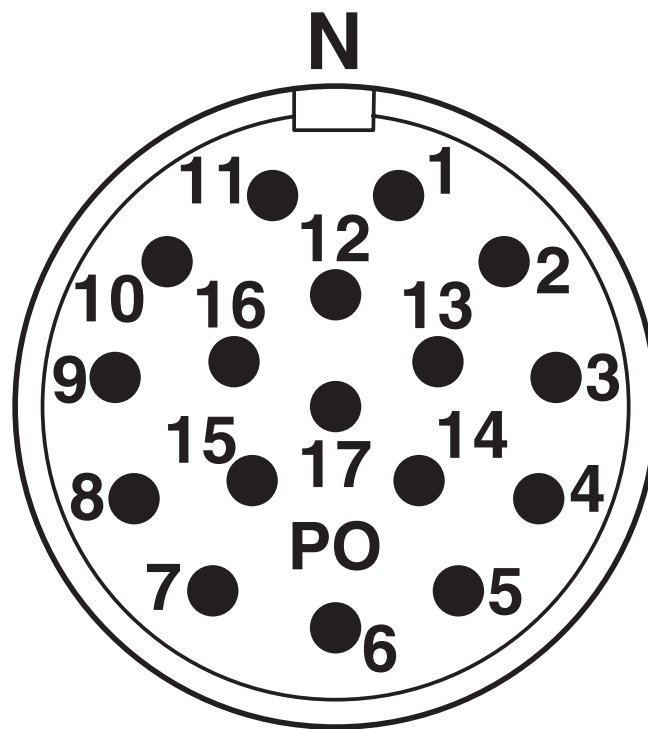
RC-17P1N8AW200 - Device connector front mounting



1601620

<https://www.phoenixcontact.com/us/products/1601620>

Schematic diagram



Connector pin assignment

Phoenix Contact 2026 © - all rights reserved
<https://www.phoenixcontact.com>

Phoenix Contact USA
586 Fulling Mill Road
Middletown, PA 17057, United States
(+717) 944-1300
info@phoenixcon.com