

RC-17P1N8A2S00 - Device connector front mounting



1601475

<https://www.phoenixcontact.com/us/products/1601475>

Please be informed that the data shown in this PDF document is generated from our online catalog. Please find the complete data in the user documentation. Our general terms of use for downloads are valid.



M23, Device connector front mounting, application: Signal, series: RC, straight, shielded: yes, Screw locking mechanism, No. of pos.: 17, Direction of rotation: Standard, contact connection type: Pin, Crimp connection, Flat gasket, coding: N. This product is in the process of being discontinued. This product must no longer be considered for new projects. Please contact your sales representative for alternatives. Alternative products: 1629086

Commercial data

| | |
|--------------------------------------|--------------------------------|
| Item number | 1601475 |
| Packing unit | 40 pc |
| Minimum order quantity | 1 pc |
| Note | Made to order (non-returnable) |
| Product key | ABRAFL |
| GTIN | 4046356381321 |
| Weight per piece (including packing) | 21.2 g |
| Weight per piece (excluding packing) | 19.418 g |
| Country of origin | DE |

1601475

<https://www.phoenixcontact.com/us/products/1601475>

Technical data

Notes

| | |
|--------------------|--|
| Order information: | Order crimp contacts Ø 1 mm separately |
|--------------------|--|

Product properties

| | |
|--------------|-----------------------------------|
| Product type | Circular connectors (device side) |
|--------------|-----------------------------------|

Connector

Insulating body

| | |
|---|---|
| Note | Order information: Order crimp contacts Ø 1 mm separately |
| Coding | N |
| Material (Insulating body) | PA 6.6 |
| Connection method | Crimp connection |
| Contact switching type | Pin |
| Application | Signal |
| Number of positions | 17 |
| Direction of rotation | Standard |
| Connection profile | 17 |
| Number (Contact group 1) | 17 |
| Contact diameter (Contact group 1) | 1 mm |
| Rated current Contact (Contact group 1) | 8 A (for max. connection cross section) |
| Rated voltage Contact (Contact group 1) | 48 V AC 74 V DC |
| Rated surge voltage | 1.5 kV |
| Overvoltage category | III |
| Degree of pollution | 3 |

Housing

| | |
|-----------------------------------|--|
| Type | Flange housing |
| Thread type | M23 |
| Design | straight |
| Type of locking | Screw locking mechanism |
| Pg screw connection | none |
| Mounting type | Front mounting/square flange (4x Ø 3.2 mm) |
| Material (Housing) | Metal |
| Degree of protection (plugged in) | IP67 |
| Seal for the device | Flat gasket |

Environmental and real-life conditions

Ambient conditions

| | |
|--|---------------|
| Permissible humidity (storage/transport) | 50 % ... 65 % |
|--|---------------|

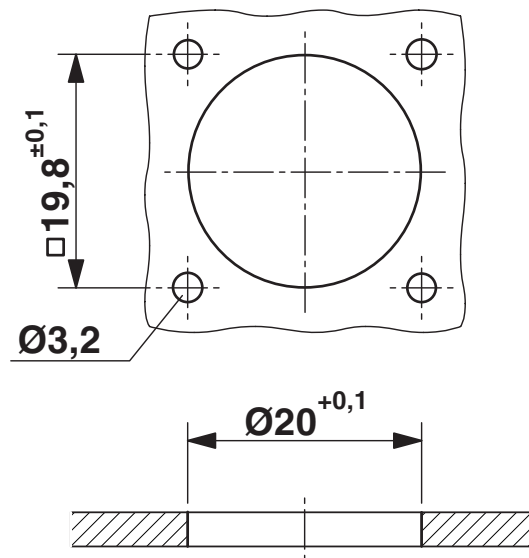
RC-17P1N8A2S00 - Device connector front mounting

1601475

<https://www.phoenixcontact.com/us/products/1601475>

Drawings

Dimensional drawing



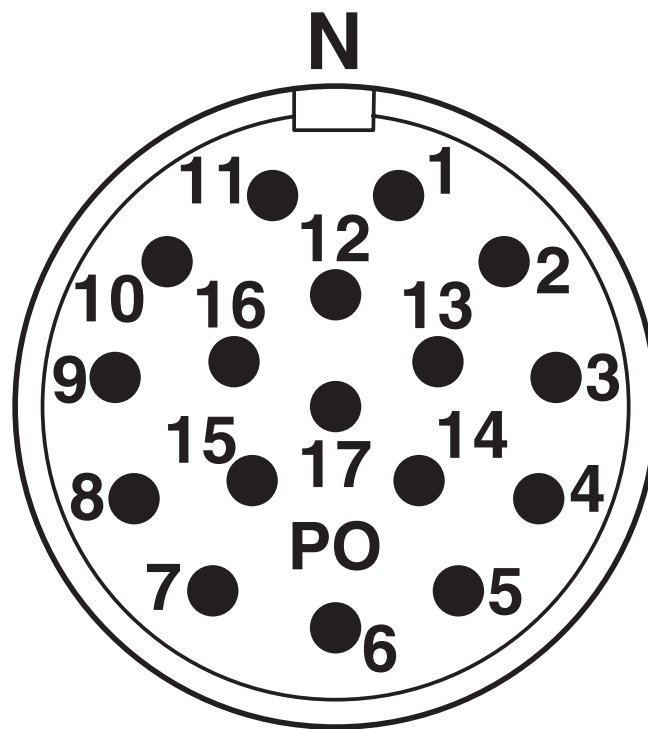
Installation dimensions

RC-17P1N8A2S00 - Device connector front mounting

1601475

<https://www.phoenixcontact.com/us/products/1601475>

Schematic diagram



Connector pin assignment

1601475

<https://www.phoenixcontact.com/us/products/1601475>

Classifications

ECLASS

| | |
|-------------|----------|
| ECLASS-13.0 | 27440109 |
| ECLASS-15.0 | 27440109 |

ETIM

| | |
|-----------|----------|
| ETIM 10.0 | EC003569 |
|-----------|----------|

UNSPSC

| | |
|-------------|----------|
| UNSPSC 21.0 | 39121400 |
|-------------|----------|

RC-17P1N8A2S00 - Device connector front mounting



1601475

<https://www.phoenixcontact.com/us/products/1601475>

Environmental product compliance

EU RoHS

| | |
|---|--------------------|
| Fulfills EU RoHS substance requirements | Yes, No exemptions |
|---|--------------------|

China RoHS

| | |
|--|--|
| Environment friendly use period (EFUP) | EFUP-E |
| | No hazardous substances above the limits |

EU REACH SVHC

| | |
|-------------------------------------|----------------------------|
| REACH candidate substance (CAS No.) | No substance above 0.1 wt% |
|-------------------------------------|----------------------------|

Phoenix Contact 2026 © - all rights reserved
<https://www.phoenixcontact.com>

Phoenix Contact USA
586 Fulling Mill Road
Middletown, PA 17057, United States
(+717) 944-1300
info@phoenixcon.com