

RC-17P1N324300 - Device connector rear mounting



1601448

<https://www.phoenixcontact.com/us/products/1601448>

Please be informed that the data shown in this PDF document is generated from our online catalog. Please find the complete data in the user documentation. Our general terms of use for downloads are valid.



The figure shows the 12-pos.
product version

M23, Device connector rear mounting, application: Signal, series: RC, straight, Screw locking mechanism, No. of pos.: 17, Direction of rotation: Standard, contact connection type: Pin, Solder-in connection, Radial O-ring, Panel thickness min.: 2.7 mm, Panel thickness max.: 3.5 mm, coding: N

Commercial data

Item number	1601448
Packing unit	40 pc
Minimum order quantity	1 pc
Note	Made to order (non-returnable)
Product key	ABRAFR
GTIN	4046356234795
Weight per piece (including packing)	36.852 g
Weight per piece (excluding packing)	34.529 g
Country of origin	DE

RC-17P1N324300 - Device connector rear mounting



1601448

<https://www.phoenixcontact.com/us/products/1601448>

Technical data

Product properties

Product type	Circular connectors (device side)
Thread type	M23

Material specifications

Flammability rating according to UL 94	V0
--	----

Connection data

Conductor connection

Connection method	Solder connection
-------------------	-------------------

Connector

Insulating body

Coding	N
Material (Insulating body)	PBT
Material (Contact)	CuZn
Material (Contact surface)	Ni/Au
Insertion/withdrawal cycles	50
Connection method	Solder-in connection
Contact switching type	Pin
Application	Signal
Number of positions	17
Direction of rotation	Standard
Connection profile	17
Number (Contact group 1)	17
Contact diameter (Contact group 1)	1 mm
Rated current Contact (Contact group 1)	8 A (for max. connection cross section)
Rated voltage Contact (Contact group 1)	48 V AC 74 V DC
Rated surge voltage	1.5 kV
Overvoltage category	III
Degree of pollution	3

Housing

Type	Flange housing
Thread type	M23
Design	straight
Type of locking	Screw locking mechanism
Pg screw connection	none
Mounting type	Rear mounting/square flange (4x M3)
Material (Housing)	Metal

RC-17P1N324300 - Device connector rear mounting



1601448

<https://www.phoenixcontact.com/us/products/1601448>

Degree of protection (plugged in)	IP67
Seal for the device	Radial O-ring

Environmental and real-life conditions

Ambient conditions

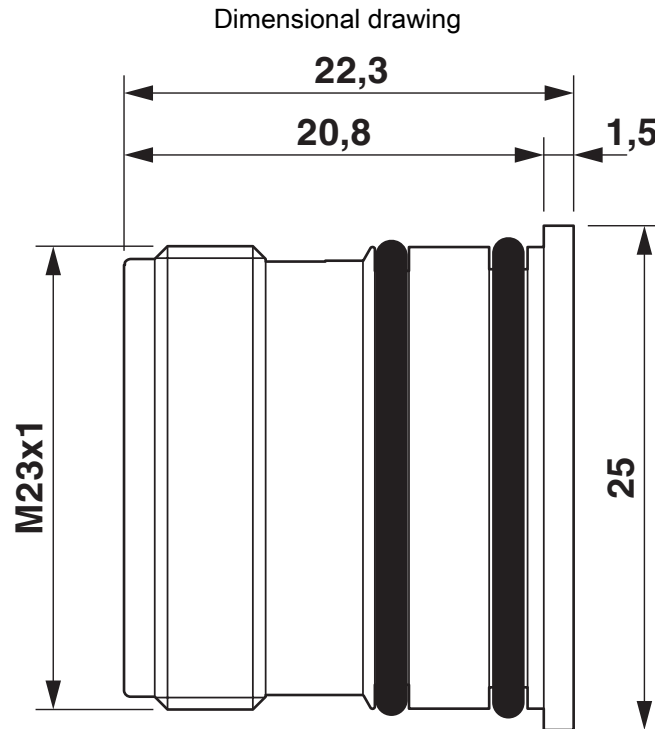
Degree of protection	IP67
----------------------	------

RC-17P1N324300 - Device connector rear mounting

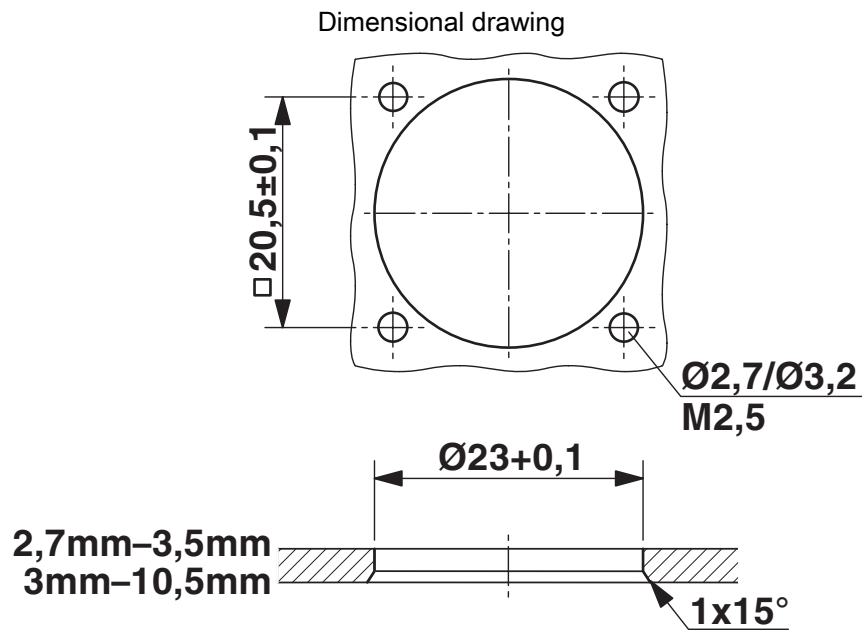
1601448

<https://www.phoenixcontact.com/us/products/1601448>

Drawings



Dimensional drawing



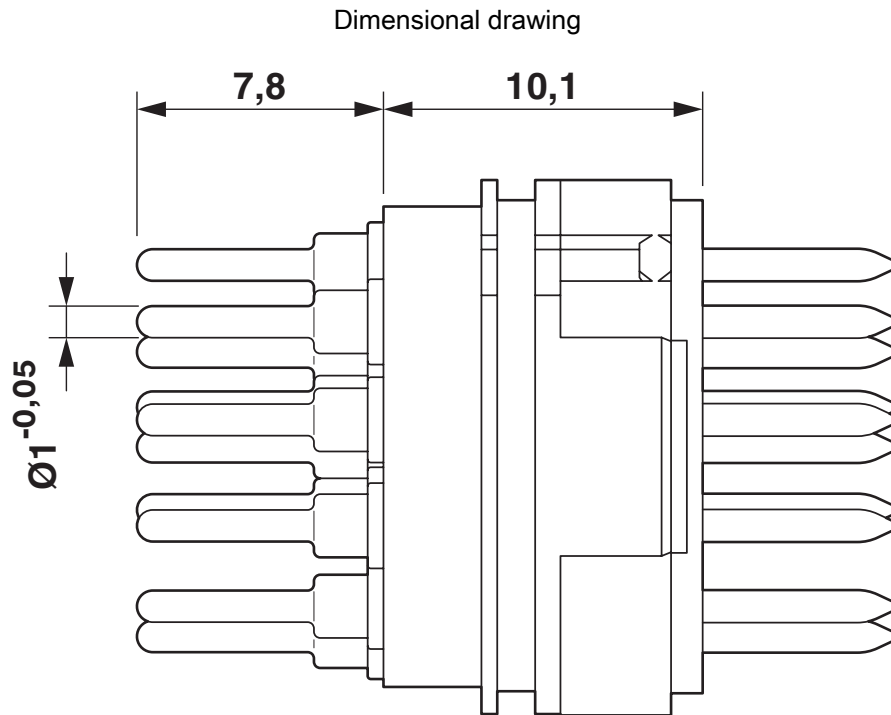
Installation dimensions

RC-17P1N324300 - Device connector rear mounting

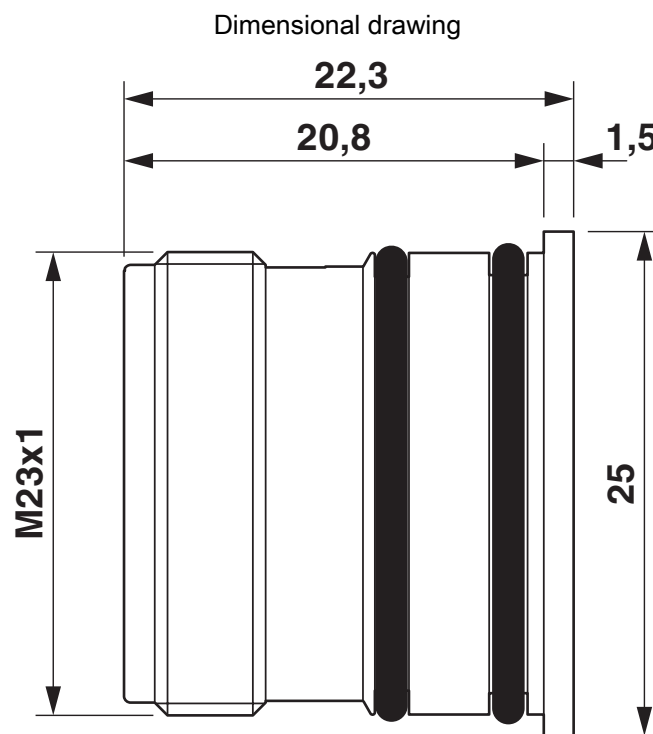


1601448

<https://www.phoenixcontact.com/us/products/1601448>



Dimensional drawing

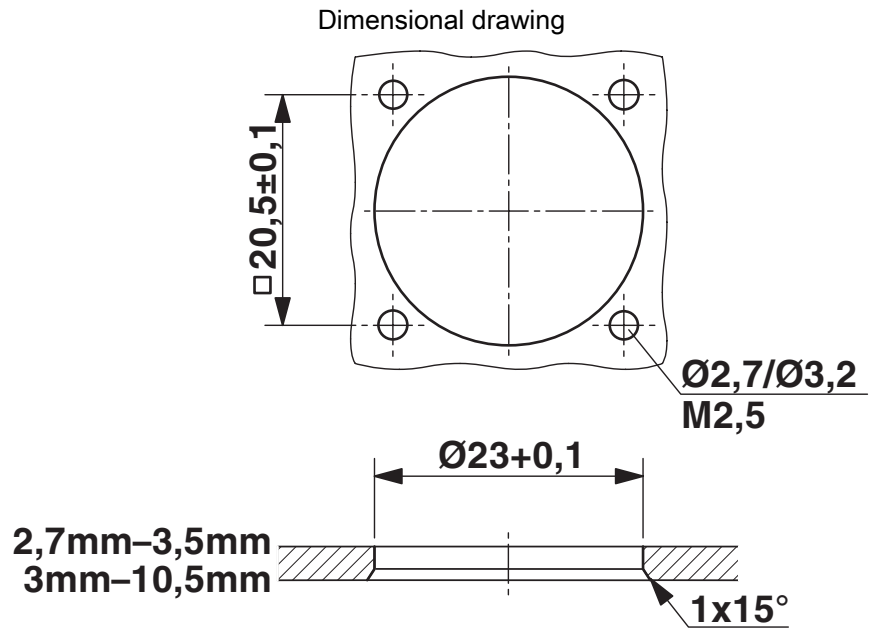


Dimensional drawing

RC-17P1N324300 - Device connector rear mounting

1601448

<https://www.phoenixcontact.com/us/products/1601448>

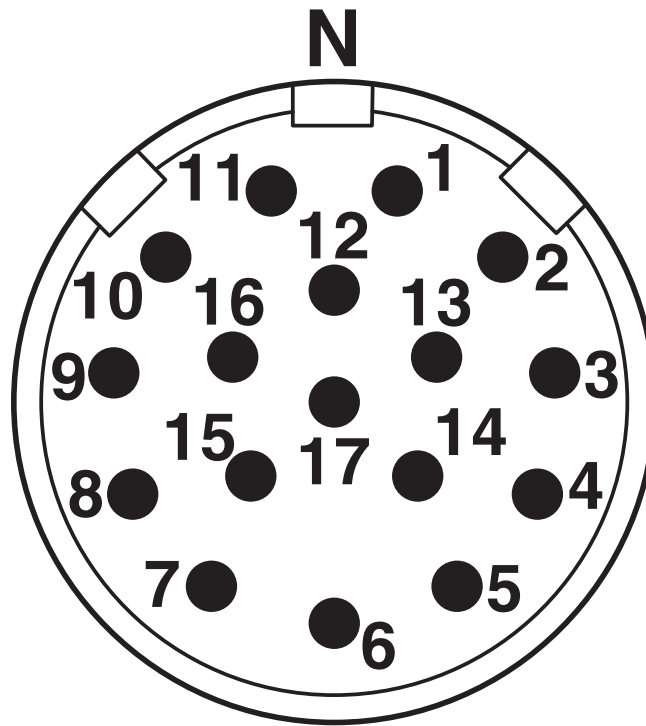


Installation dimensions

1601448

<https://www.phoenixcontact.com/us/products/1601448>

Schematic diagram



Connector pin assignment

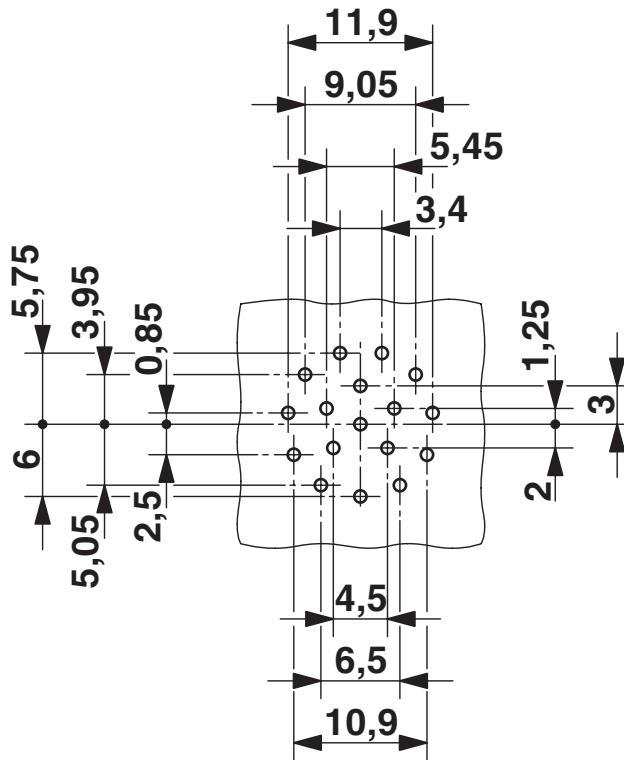
RC-17P1N324300 - Device connector rear mounting

1601448

<https://www.phoenixcontact.com/us/products/1601448>



Drilling plan/solder pad geometry



RC-17P1N324300 - Device connector rear mounting



1601448

<https://www.phoenixcontact.com/us/products/1601448>

Classifications

ETIM

ETIM 9.0	EC003569
----------	----------

UNSPSC

UNSPSC 21.0	39121400
-------------	----------

1601448

<https://www.phoenixcontact.com/us/products/1601448>

Environmental product compliance

EU RoHS

Fulfills EU RoHS substance requirements	Yes
Exemption	6(c)

China RoHS

Environment friendly use period (EFUP)	EFUP-50
	An article-related China RoHS declaration table can be found in the download area for the respective article under "Manufacturer declaration". For all articles with EFUP-E, no China RoHS declaration table issued and required.

EU REACH SVHC

REACH candidate substance (CAS No.)	Lead(CAS: 7439-92-1)
SCIP	8bd9c685-074d-4b86-8a29-5a98d6cfdc92

Phoenix Contact 2026 © - all rights reserved

<https://www.phoenixcontact.com>

Phoenix Contact USA
586 Fulling Mill Road
Middletown, PA 17057, United States
(+717) 944-1300
info@phoenixcon.com