

RC-17P1N324100 - Device connector rear mounting



1601446

<https://www.phoenixcontact.com/us/products/1601446>

Please be informed that the data shown in this PDF document is generated from our online catalog. Please find the complete data in the user documentation. Our general terms of use for downloads are valid.



M23, Device connector rear mounting, application: Signal, series: RC, straight, Screw locking mechanism, No. of pos.: 17, Direction of rotation: Standard, contact connection type: Pin, Solder-in connection, Flat gasket, Panel thickness min.: 2.7 mm, Panel thickness max.: 3.5 mm, coding: N. This product is in the process of being discontinued. This product must no longer be considered for new projects. Please contact your sales representative for alternatives.

The figure shows the 12-pos.
product version

Commercial data

| | |
|--------------------------------------|--------------------------------|
| Item number | 1601446 |
| Packing unit | 40 pc |
| Minimum order quantity | 1 pc |
| Note | Made to order (non-returnable) |
| Product key | ABRAFR |
| GTIN | 4046356234788 |
| Weight per piece (including packing) | 37.06 g |
| Weight per piece (excluding packing) | 34.579 g |
| Country of origin | DE |

1601446

<https://www.phoenixcontact.com/us/products/1601446>

Technical data

Product properties

| | |
|--------------|-----------------------------------|
| Product type | Circular connectors (device side) |
|--------------|-----------------------------------|

Material specifications

| | |
|--|----|
| Flammability rating according to UL 94 | V0 |
|--|----|

Connector

Insulating body

| | |
|---|---|
| Coding | N |
| Material (Insulating body) | PBT |
| Material (Contact) | CuZn |
| Material (Contact surface) | Ni/Au |
| Insertion/withdrawal cycles | 50 |
| Connection method | Solder-in connection |
| Contact switching type | Pin |
| Application | Signal |
| Number of positions | 17 |
| Direction of rotation | Standard |
| Connection profile | 17 |
| Number (Contact group 1) | 17 |
| Contact diameter (Contact group 1) | 1 mm |
| Rated current Contact (Contact group 1) | 8 A (for max. connection cross section) |
| Rated voltage Contact (Contact group 1) | 48 V AC 74 V DC |
| Rated surge voltage | 1.5 kV |
| Overvoltage category | III |
| Degree of pollution | 3 |

Housing

| | |
|-----------------------------------|-------------------------------------|
| Type | Flange housing |
| Thread type | M23 |
| Design | straight |
| Type of locking | Screw locking mechanism |
| Pg screw connection | none |
| Mounting type | Rear mounting/square flange (4x M3) |
| Material (Housing) | Metal |
| Degree of protection (plugged in) | IP67 |
| Seal for the device | Flat gasket |

Environmental and real-life conditions

Ambient conditions

RC-17P1N324100 - Device connector rear mounting



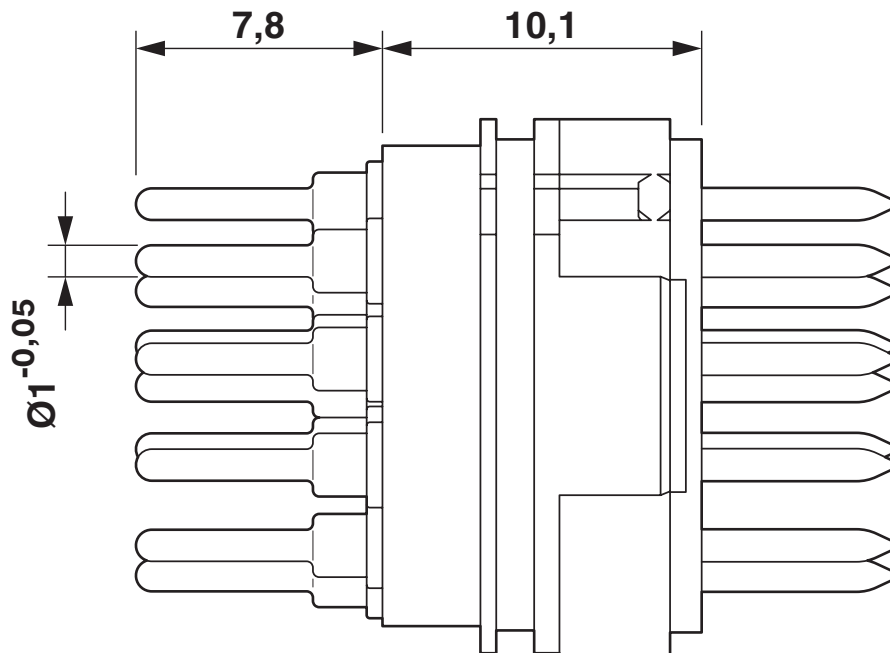
1601446

<https://www.phoenixcontact.com/us/products/1601446>

| | |
|----------------------|------|
| Degree of protection | IP67 |
|----------------------|------|

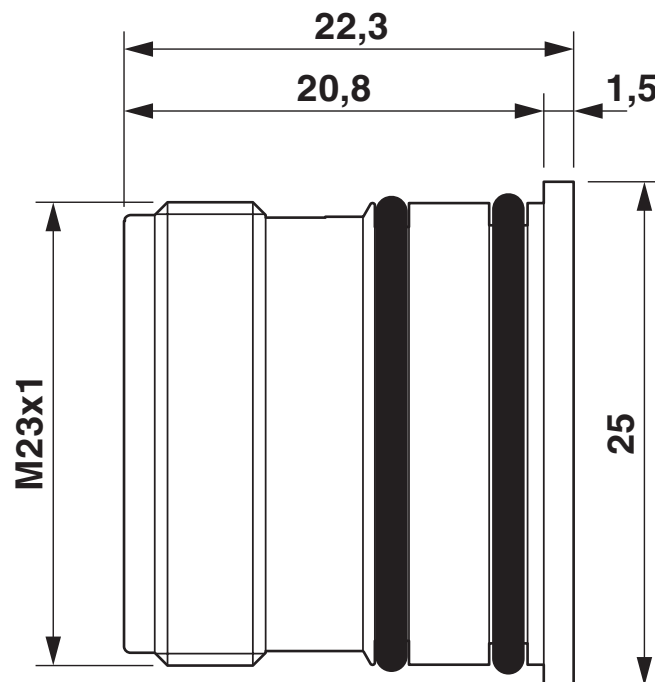
Drawings

Dimensional drawing



Dimensional drawing

Dimensional drawing

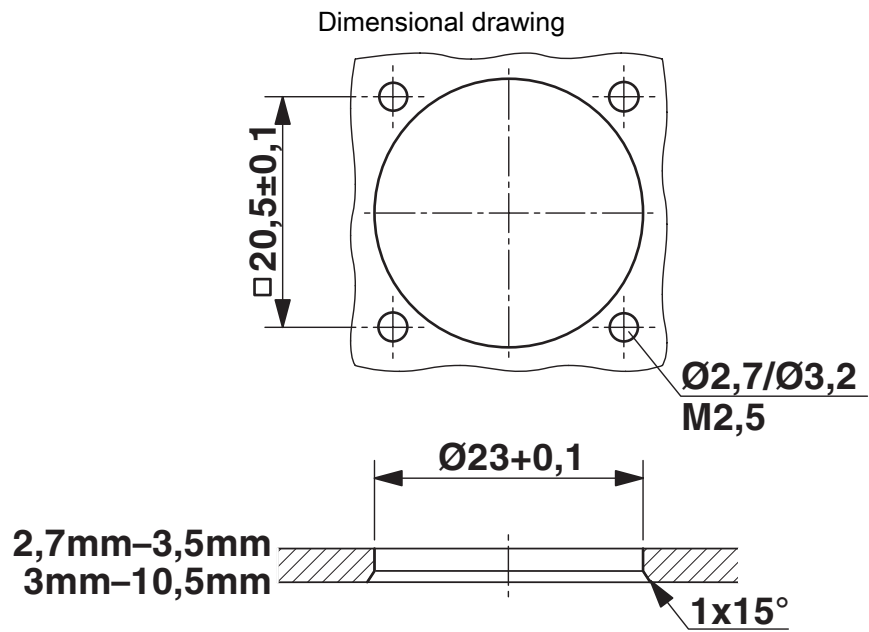


Dimensional drawing

RC-17P1N324100 - Device connector rear mounting

1601446

<https://www.phoenixcontact.com/us/products/1601446>



Installation dimensions

Schematic diagram



Connector pin assignment

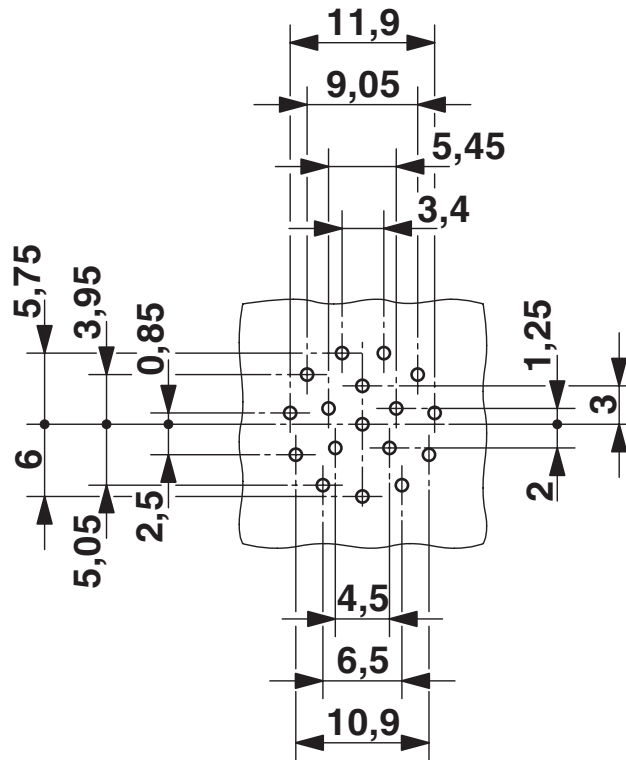
RC-17P1N324100 - Device connector rear mounting



1601446

<https://www.phoenixcontact.com/us/products/1601446>

Drilling plan/solder pad geometry



RC-17P1N324100 - Device connector rear mounting



1601446

<https://www.phoenixcontact.com/us/products/1601446>

Classifications

ECLASS

| | |
|-------------|----------|
| ECLASS-13.0 | 27440109 |
| ECLASS-15.0 | 27440109 |

ETIM

| | |
|-----------|----------|
| ETIM 10.0 | EC003569 |
|-----------|----------|

UNSPSC

| | |
|-------------|----------|
| UNSPSC 21.0 | 39121400 |
|-------------|----------|

1601446

<https://www.phoenixcontact.com/us/products/1601446>

Environmental product compliance

EU RoHS

| | |
|---|------|
| Fulfills EU RoHS substance requirements | Yes |
| Exemption | 6(c) |

China RoHS

| | |
|--|---|
| Environment friendly use period (EFUP) | EFUP-50 |
| | An article-related China RoHS declaration table can be found in the download area for the respective article under "Manufacturer declaration". For all articles with EFUP-E, no China RoHS declaration table issued and required. |

EU REACH SVHC

| | |
|-------------------------------------|--------------------------------------|
| REACH candidate substance (CAS No.) | Lead(CAS: 7439-92-1) |
| SCIP | b6153ac9-13d9-435c-b550-0f1fc14cbb3e |

Phoenix Contact 2026 © - all rights reserved

<https://www.phoenixcontact.com>

Phoenix Contact USA
586 Fulling Mill Road
Middletown, PA 17057, United States
(+717) 944-1300
info@phoenixcon.com