

# RC-17P1N12C0Q9 - Rear panel feed-through



1601327

<https://www.phoenixcontact.com/us/products/1601327>

Please be informed that the data shown in this PDF document is generated from our online catalog. Please find the complete data in the user documentation. Our general terms of use for downloads are valid.



M23, Rear panel feed-through, application: Signal, series: RC, straight, shielded: yes, Screw locking mechanism, No. of pos.: 17, Direction of rotation: Standard, contact connection type: Pin, Solder cup, Flat gasket, Panel thickness max.: 2.5 mm, cable diameter range: 9.5 mm ... 10.5 mm, coding: N. This product is in the process of being discontinued. This product must no longer be considered for new projects. Please contact your sales representative for alternatives.

## Commercial data

Item number	1601327
Packing unit	20 pc
Minimum order quantity	1 pc
Note	Made to order (non-returnable)
Product key	ABRAFJ
GTIN	4046356234177
Weight per piece (including packing)	105.34 g
Weight per piece (excluding packing)	87.663 g
Country of origin	DE

# RC-17P1N12C0Q9 - Rear panel feed-through



1601327

<https://www.phoenixcontact.com/us/products/1601327>

## Technical data

### Product properties

Product type	Circular connectors (device side)
--------------	-----------------------------------

### Connector

#### Insulating body

Coding	N
Material (Insulating body)	PBT
Material (Contact)	CuZn
Material (Contact surface)	Ni/Au
Insertion/withdrawal cycles	50
Connection method	Solder cup
Contact switching type	Pin
Application	Signal
Number of positions	17
Direction of rotation	Standard
Connection profile	17
Number (Contact group 1)	17
Contact diameter (Contact group 1)	1 mm
Litz wires Min. cross section (Contact group 1)	0.08 mm <sup>2</sup>
Litz wires Max. cross section (Contact group 1)	1 mm <sup>2</sup>
Rated current Contact (Contact group 1)	8 A (for max. connection cross section)
Rated voltage Contact (Contact group 1)	48 V AC 74 V DC
Rated surge voltage	1.5 kV
Overvoltage category	III
Degree of pollution	3

#### Housing

Type	Feed-through header
Thread type	M23
Design	straight
Type of locking	Screw locking mechanism
Pg screw connection	none
Mounting type	Rear mounting/square flange (4x M2,5)
Material (Housing)	GD-Zn
Material (Rotating parts)	CuZn
Material (Housing surface)	Ni
Material (Seal)	FPM (O-ring)
Degree of protection (plugged in)	IP67
Seal for the device	Flat gasket

#### Seal

# RC-17P1N12C0Q9 - Rear panel feed-through



1601327

<https://www.phoenixcontact.com/us/products/1601327>

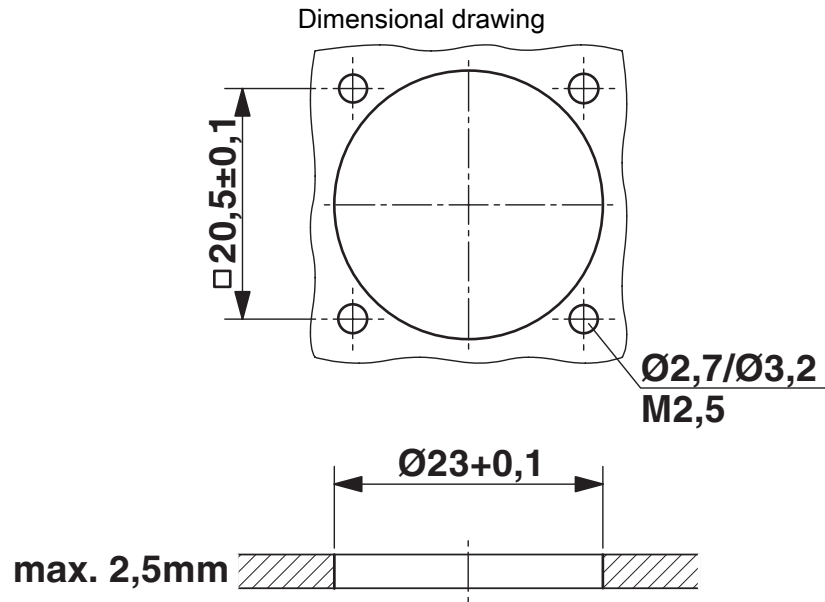
External cable diameter	9.5 mm ... 10.5 mm
-------------------------	--------------------

# RC-17P1N12C0Q9 - Rear panel feed-through

1601327

<https://www.phoenixcontact.com/us/products/1601327>

## Drawings



Installation dimensions

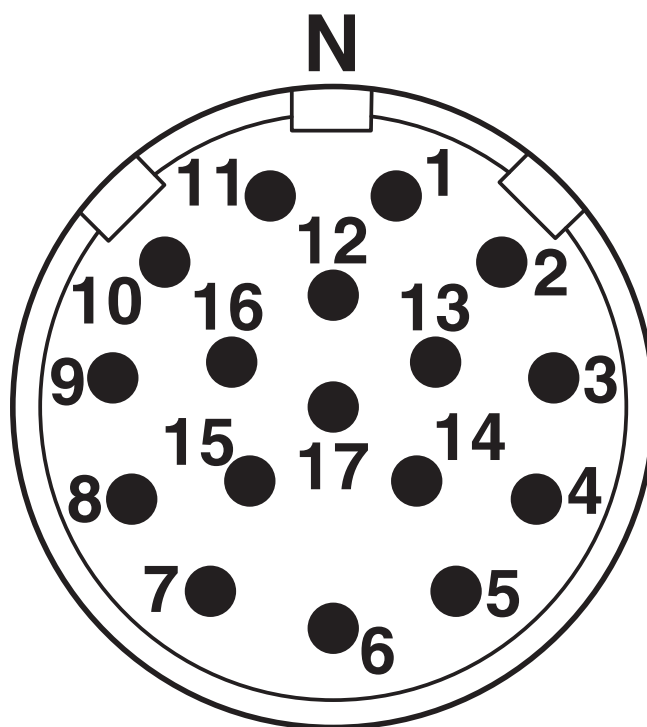
# RC-17P1N12C0Q9 - Rear panel feed-through



1601327

<https://www.phoenixcontact.com/us/products/1601327>

Schematic diagram



Connector pin assignment

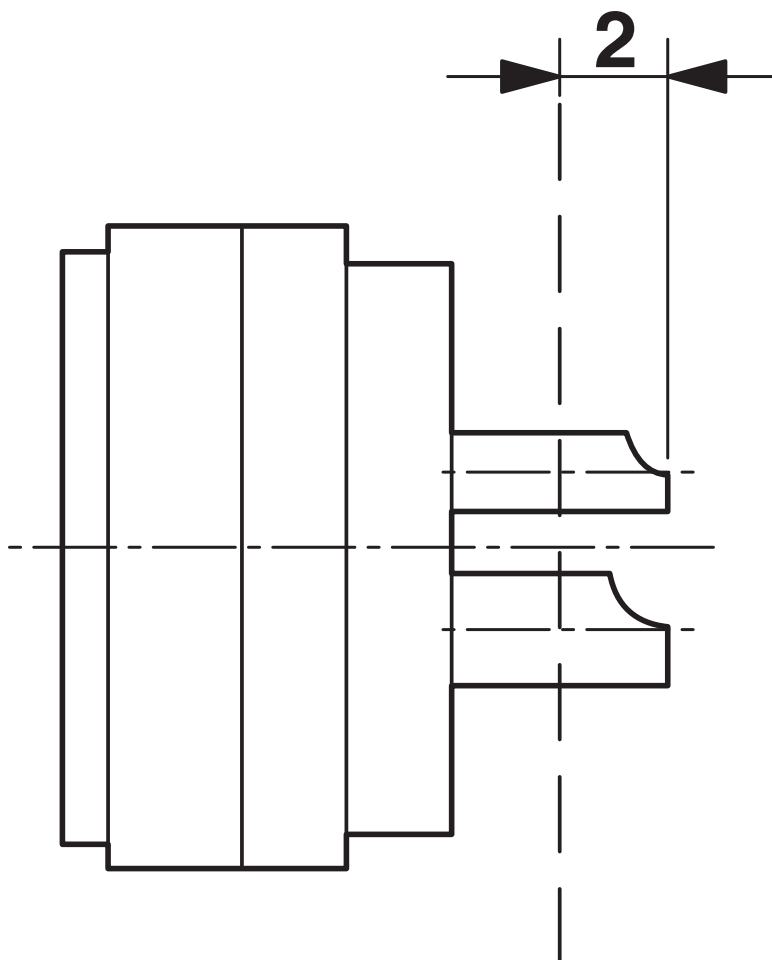
# RC-17P1N12C0Q9 - Rear panel feed-through



1601327

<https://www.phoenixcontact.com/us/products/1601327>

Schematic diagram



Dimensional drawing

# RC-17P1N12C0Q9 - Rear panel feed-through



1601327

<https://www.phoenixcontact.com/us/products/1601327>

## Classifications

### ECLASS

ECLASS-13.0	27440109
ECLASS-15.0	27440109

### ETIM

ETIM 10.0	EC003569
-----------	----------

### UNSPSC

UNSPSC 21.0	39121400
-------------	----------

# RC-17P1N12C0Q9 - Rear panel feed-through



1601327

<https://www.phoenixcontact.com/us/products/1601327>

## Environmental product compliance

### EU RoHS

Fulfills EU RoHS substance requirements	Yes
Exemption	6(c)

### China RoHS

Environment friendly use period (EFUP)	EFUP-50
	An article-related China RoHS declaration table can be found in the download area for the respective article under "Manufacturer declaration". For all articles with EFUP-E, no China RoHS declaration table issued and required.

### EU REACH SVHC

REACH candidate substance (CAS No.)	Lead(CAS: 7439-92-1)
SCIP	6cde1dbf-c6c1-4342-b003-2f73aa847896

Phoenix Contact 2026 © - all rights reserved

<https://www.phoenixcontact.com>

Phoenix Contact USA  
586 Fulling Mill Road  
Middletown, PA 17057, United States  
(+717) 944-1300  
[info@phoenixcon.com](mailto:info@phoenixcon.com)