

RC-17P1N122K00 - Device connector front mounting



1601219

<https://www.phoenixcontact.com/us/products/1601219>

Please be informed that the data shown in this PDF document is generated from our online catalog. Please find the complete data in the user documentation. Our general terms of use for downloads are valid.



The figure shows the 12-pos.
product version

M23, Device connector front mounting, application: Signal, series: RC, straight, shielded: yes, Screw locking mechanism, No. of pos.: 17, Direction of rotation: Standard, contact connection type: Pin, Solder cup, Flat gasket, flange dimensions: 25 mm x 25 mm, coding: N, this item is expected to be lead-free from Q4 2025 in accordance with RoHS II without exception 6c (Pb < 0.1%), a lead-free alternative is possible on request in advance

Commercial data

Item number	1601219
Packing unit	40 pc
Minimum order quantity	1 pc
Note	Made to order (non-returnable)
Product key	ABRAFL
GTIN	4046356233590
Weight per piece (including packing)	28.71 g
Weight per piece (excluding packing)	26.422 g
Country of origin	DE

RC-17P1N122K00 - Device connector front mounting



1601219

<https://www.phoenixcontact.com/us/products/1601219>

Technical data

Product properties

Product type	Circular connectors (device side)
--------------	-----------------------------------

Connector

Insulating body

Coding	N
Material (Insulating body)	PBT
Material (Contact)	CuZn
Material (Contact surface)	Ni/Au
Insertion/withdrawal cycles	50
Connection method	Solder cup
Contact switching type	Pin
Application	Signal
Number of positions	17
Direction of rotation	Standard
Connection profile	17
Number (Contact group 1)	17
Contact diameter (Contact group 1)	1 mm
Litz wires Min. cross section (Contact group 1)	0.08 mm ²
Litz wires Max. cross section (Contact group 1)	1 mm ²
Rated current Contact (Contact group 1)	8 A (for max. connection cross section)
Rated voltage Contact (Contact group 1)	48 V AC 74 V DC
Rated surge voltage	1.5 kV
Overvoltage category	III
Degree of pollution	3

Housing

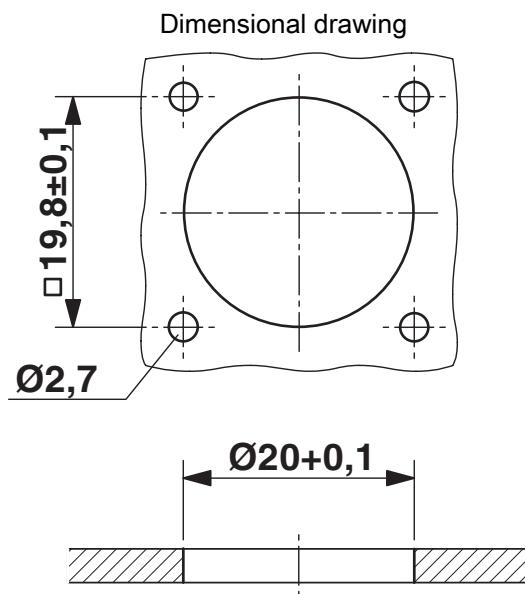
Order information:	Order contact inserts separately
Type	Flange housing
Thread type	M23
Design	straight
Type of locking	Screw locking mechanism
Pg screw connection	none
Mounting type	Front mounting/square flange (4x Ø 2.7 mm)
Flange dimensions	25 mm x 25 mm
Housing material	GD-Zn
Degree of protection (plugged in)	IP67
Seal for the device	Flat gasket

RC-17P1N122K00 - Device connector front mounting

1601219

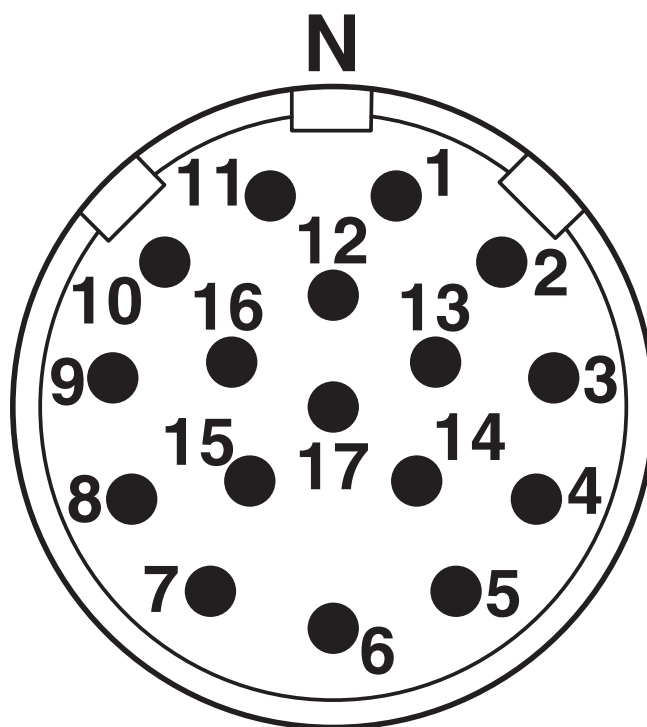
<https://www.phoenixcontact.com/us/products/1601219>

Drawings



Installation dimensions

Schematic diagram



Connector pin assignment

Schematic diagram



Connector pin assignment

RC-17P1N122K00 - Device connector front mounting



1601219

<https://www.phoenixcontact.com/us/products/1601219>

Schematic diagram



Dimensional drawing

RC-17P1N122K00 - Device connector front mounting



1601219

<https://www.phoenixcontact.com/us/products/1601219>

Classifications

ECLASS

ECLASS-13.0	27440109
ECLASS-15.0	27440109

ETIM

ETIM 9.0	EC003569
----------	----------

UNSPSC

UNSPSC 21.0	39121400
-------------	----------

1601219

<https://www.phoenixcontact.com/us/products/1601219>

Environmental product compliance

EU RoHS

Fulfills EU RoHS substance requirements	Yes
Exemption	6(c)

China RoHS

Environment friendly use period (EFUP)	EFUP-50
	An article-related China RoHS declaration table can be found in the download area for the respective article under "Manufacturer declaration". For all articles with EFUP-E, no China RoHS declaration table issued and required.

EU REACH SVHC

REACH candidate substance (CAS No.)	Lead(CAS: 7439-92-1)
SCIP	a4682ac9-764e-46c3-9d72-17ab84595244

Phoenix Contact 2026 © - all rights reserved
<https://www.phoenixcontact.com>

Phoenix Contact USA
586 Fulling Mill Road
Middletown, PA 17057, United States
(+717) 944-1300
info@phoenixcon.com