

RC-16S1NA24000 - Device connector rear mounting



1601118

<https://www.phoenixcontact.com/us/products/1601118>

Please be informed that the data shown in this PDF document is generated from our online catalog. Please find the complete data in the user documentation. Our general terms of use for downloads are valid.



The figure shows the 12-pos.
product version

M23, Device connector rear mounting, series: RC, straight, Screw locking mechanism, Flat gasket. This product is in the process of being discontinued. This product must no longer be considered for new projects. Please contact your sales representative for alternatives.

Commercial data

| | |
|--------------------------------------|--------------------------------|
| Item number | 1601118 |
| Packing unit | 20 pc |
| Minimum order quantity | 1 pc |
| Note | Made to order (non-returnable) |
| Product key | ABRAFR |
| GTIN | 4046356233286 |
| Weight per piece (including packing) | 41.5 g |
| Weight per piece (excluding packing) | 33.264 g |
| Country of origin | DE |

1601118

<https://www.phoenixcontact.com/us/products/1601118>

Technical data

Product properties

| | |
|--------------|-----------------------------------|
| Product type | Circular connectors (device side) |
|--------------|-----------------------------------|

Material specifications

| | |
|--|----|
| Flammability rating according to UL 94 | V0 |
|--|----|

Connection data

Conductor connection

| | |
|-------------------|----------------------|
| Connection method | Solder-in connection |
|-------------------|----------------------|

Connector

Housing

| | |
|-----------------------------------|---------------------------------------|
| Type | Flange housing |
| Thread type | M23 |
| Design | straight |
| Type of locking | Screw locking mechanism |
| Pg screw connection | none |
| Mounting type | Rear mounting/square flange (4x M2,5) |
| Material (Housing) | Metal |
| Degree of protection (plugged in) | IP67 |
| Seal for the device | Flat gasket |

Environmental and real-life conditions

Ambient conditions

| | |
|----------------------|------|
| Degree of protection | IP67 |
|----------------------|------|

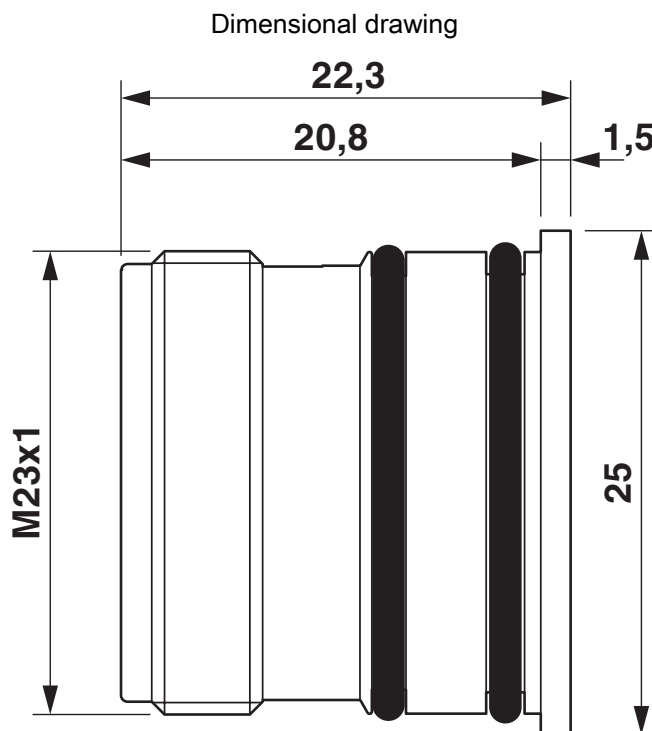
RC-16S1NA24000 - Device connector rear mounting



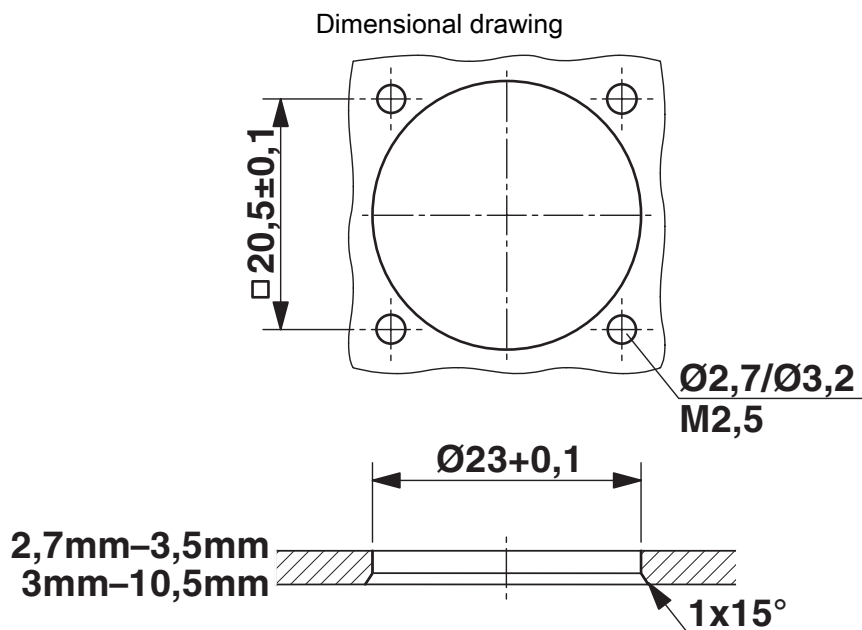
1601118

<https://www.phoenixcontact.com/us/products/1601118>

Drawings

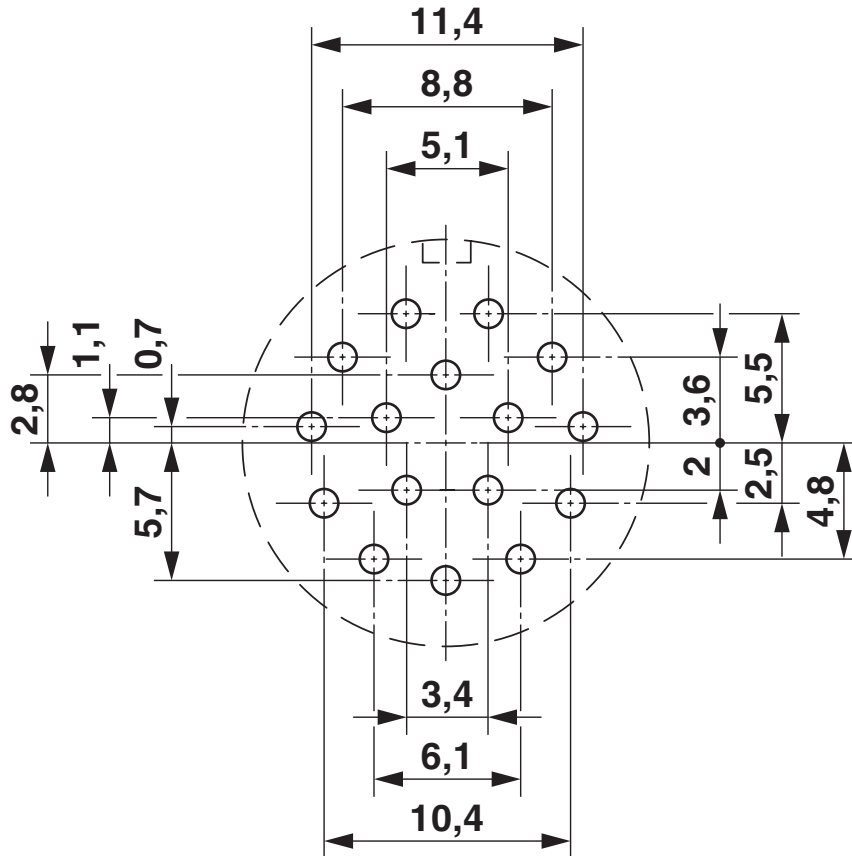


Dimensional drawing



Installation dimensions

Drilling plan/solder pad geometry



16-pos.

RC-16S1NA24000 - Device connector rear mounting



1601118

<https://www.phoenixcontact.com/us/products/1601118>

Classifications

ECLASS

| | |
|-------------|----------|
| ECLASS-13.0 | 27440109 |
| ECLASS-15.0 | 27440109 |

ETIM

| | |
|-----------|----------|
| ETIM 10.0 | EC003569 |
|-----------|----------|

UNSPSC

| | |
|-------------|----------|
| UNSPSC 21.0 | 39121400 |
|-------------|----------|

1601118

<https://www.phoenixcontact.com/us/products/1601118>

Environmental product compliance

EU RoHS

| | |
|---|------|
| Fulfills EU RoHS substance requirements | Yes |
| Exemption | 6(c) |

China RoHS

| | |
|--|---|
| Environment friendly use period (EFUP) | EFUP-50 |
| | An article-related China RoHS declaration table can be found in the download area for the respective article under "Manufacturer declaration". For all articles with EFUP-E, no China RoHS declaration table issued and required. |

EU REACH SVHC

| | |
|-------------------------------------|--------------------------------------|
| REACH candidate substance (CAS No.) | Lead(CAS: 7439-92-1) |
| SCIP | e2864123-05b7-4e7c-9d4b-586c69135ef9 |

Phoenix Contact 2026 © - all rights reserved

<https://www.phoenixcontact.com>

Phoenix Contact USA
586 Fulling Mill Road
Middletown, PA 17057, United States
(+717) 944-1300
info@phoenixcon.com