

RC-16S1N224000 - Device connector rear mounting



1601050

<https://www.phoenixcontact.com/us/products/1601050>

Please be informed that the data shown in this PDF document is generated from our online catalog. Please find the complete data in the user documentation. Our general terms of use for downloads are valid.



M23, Device connector rear mounting, series: RC, straight, Screw locking mechanism, Flat gasket

The figure shows the 12-pos. product version

Commercial data

Item number	1601050
Packing unit	40 pc
Minimum order quantity	1 pc
Note	Made to order (non-returnable)
Product key	ABRAFR
GTIN	4046356232944
Weight per piece (including packing)	44.21 g
Weight per piece (excluding packing)	30.21 g
Country of origin	DE

1601050

<https://www.phoenixcontact.com/us/products/1601050>

Technical data

Product properties

Product type	Circular connectors (device side)
Thread type	M23

Material specifications

Flammability rating according to UL 94	V0
--	----

Connection data

Conductor connection

Connection method	Solder connection
-------------------	-------------------

Connector

Housing

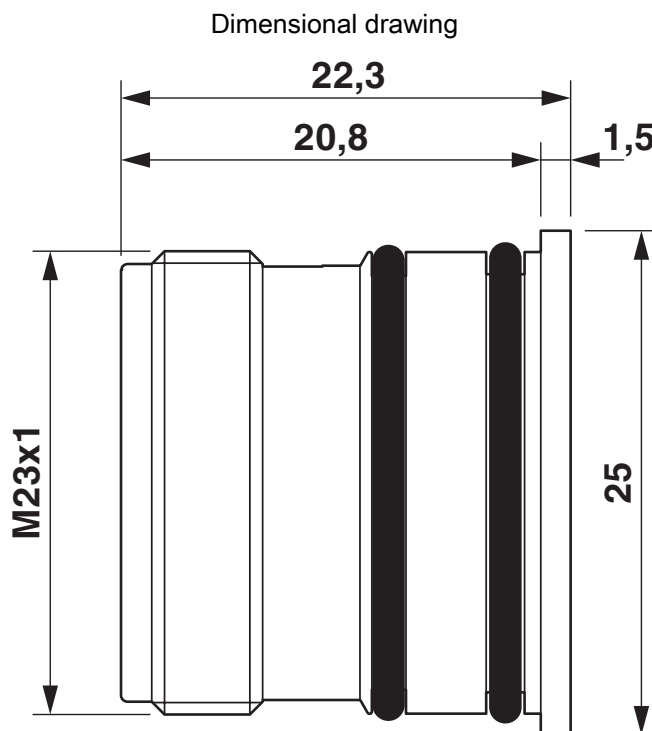
Type	Flange housing
Thread type	M23
Design	straight
Type of locking	Screw locking mechanism
Pg screw connection	none
Mounting type	Rear mounting/square flange (4x M2,5)
Material (Housing)	Metal
Degree of protection (plugged in)	IP67
Seal for the device	Flat gasket

Environmental and real-life conditions

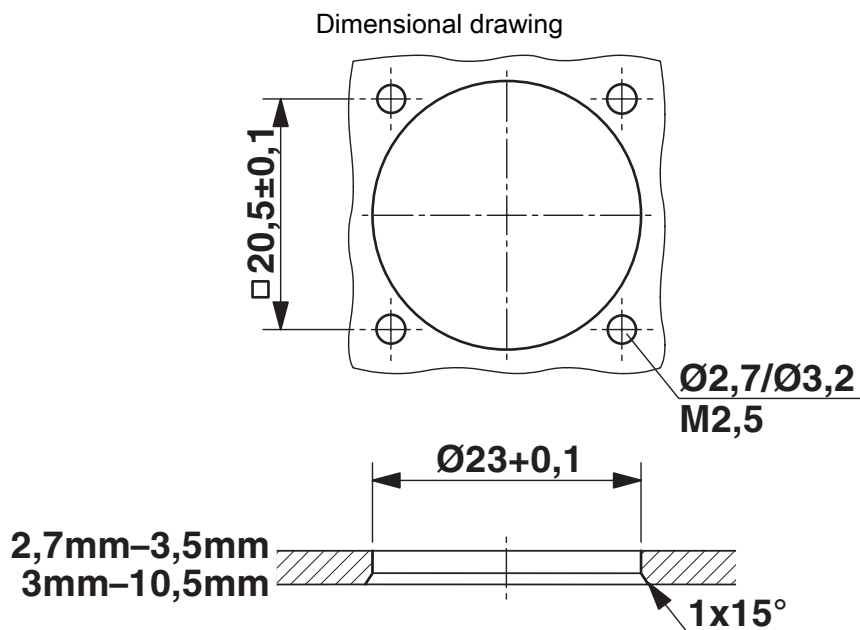
Ambient conditions

Degree of protection	IP67
----------------------	------

Drawings



Dimensional drawing

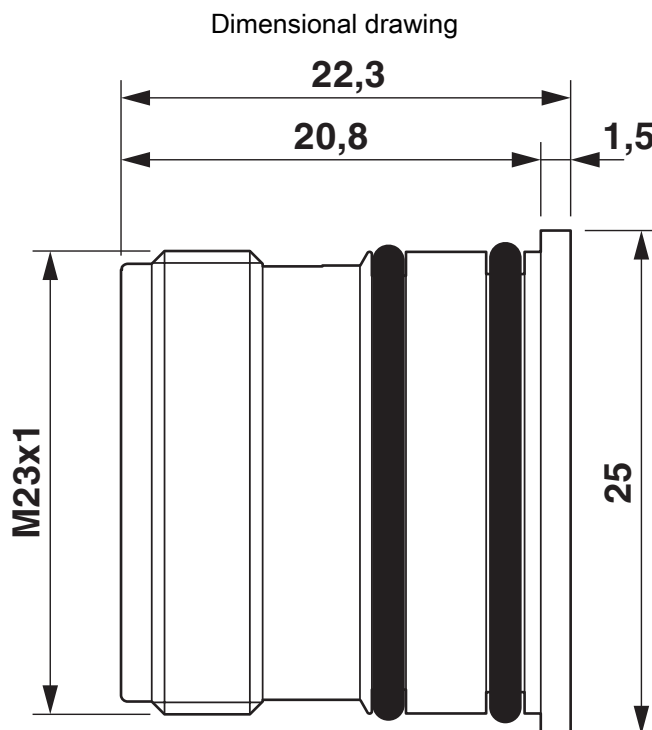


Installation dimensions

RC-16S1N224000 - Device connector rear mounting

1601050

<https://www.phoenixcontact.com/us/products/1601050>



Dimensional drawing



Installation dimensions

RC-16S1N224000 - Device connector rear mounting



1601050

<https://www.phoenixcontact.com/us/products/1601050>

Classifications

UNSPSC

UNSPSC 21.0	39121400
-------------	----------

1601050

<https://www.phoenixcontact.com/us/products/1601050>

Environmental product compliance

EU RoHS

Fulfills EU RoHS substance requirements	Yes
Exemption	6(c)

China RoHS

Environment friendly use period (EFUP)	EFUP-50
	An article-related China RoHS declaration table can be found in the download area for the respective article under "Manufacturer declaration". For all articles with EFUP-E, no China RoHS declaration table issued and required.

EU REACH SVHC

REACH candidate substance (CAS No.)	Lead(CAS: 7439-92-1)
SCIP	dd825e1e-6d92-4ceb-ae1f-c536521cf174

Phoenix Contact 2026 © - all rights reserved

<https://www.phoenixcontact.com>

Phoenix Contact USA
586 Fulling Mill Road
Middletown, PA 17057, United States
(+717) 944-1300
info@phoenixcon.com