

RC-16P1NX2E0F9 - Device connector rear mounting



1600774

<https://www.phoenixcontact.com/us/products/1600774>

Please be informed that the data shown in this PDF document is generated from our online catalog. Please find the complete data in the user documentation. Our general terms of use for downloads are valid.



M23, Device connector rear mounting, series: RC, straight, shielded: yes, Screw locking mechanism, Radial O-ring, Panel thickness min.: 3 mm, Panel thickness max.: 10.5 mm

The figure shows the 17-pos.
product version

Commercial data

Item number	1600774
Packing unit	20 pc
Minimum order quantity	1 pc
Note	Made to order (non-returnable)
Product key	ABRAFR
GTIN	4046356231770
Weight per piece (including packing)	48.86 g
Weight per piece (excluding packing)	41.3 g
Country of origin	DE

RC-16P1NX2E0F9 - Device connector rear mounting



1600774

<https://www.phoenixcontact.com/us/products/1600774>

Technical data

Product properties

Product type	Circular connectors (device side)
--------------	-----------------------------------

Connector

Housing

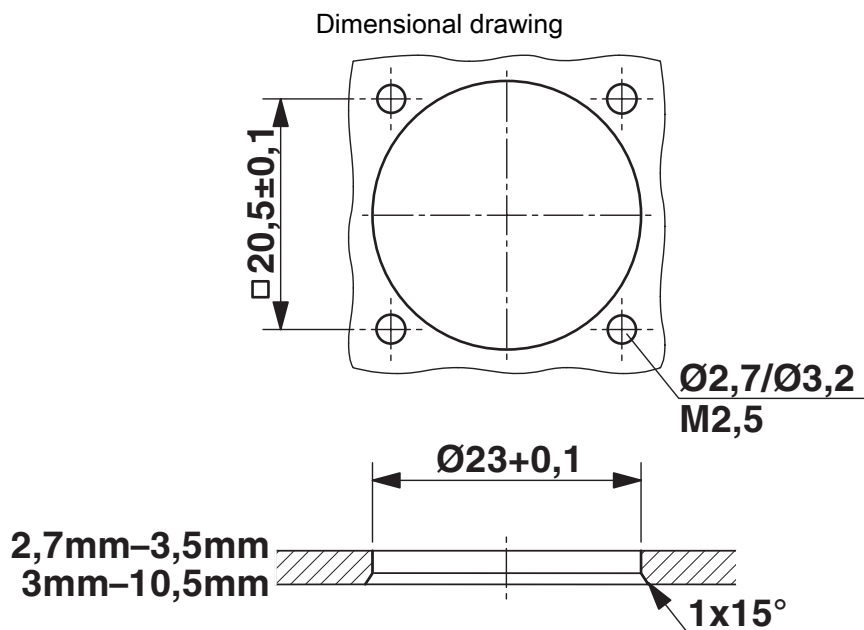
Type	Flange housing
Thread type	M23
Design	straight
Type of locking	Screw locking mechanism
Pg screw connection	none
Mounting type	Rear mounting/square flange (4x M3)
Material (Housing)	GD-Zn
Material (Housing surface)	Ni
Material (Rotating parts)	CuZn
Degree of protection (plugged in)	IP67
Seal for the device	Radial O-ring

RC-16P1NX2E0F9 - Device connector rear mounting

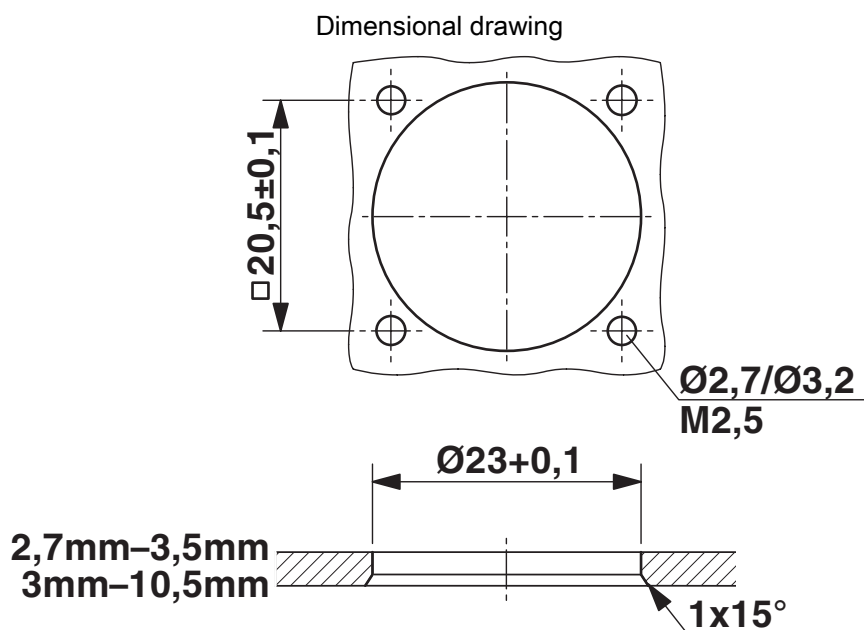
1600774

<https://www.phoenixcontact.com/us/products/1600774>

Drawings



Installation dimensions



Installation dimensions

RC-16P1NX2E0F9 - Device connector rear mounting



1600774

<https://www.phoenixcontact.com/us/products/1600774>

Phoenix Contact 2026 © - all rights reserved

<https://www.phoenixcontact.com>

Phoenix Contact USA
586 Fulling Mill Road
Middletown, PA 17057, United States
(+717) 944-1300
info@phoenixcon.com