

RC-12S2N8A4300 - Device connector rear mounting



1600100

<https://www.phoenixcontact.com/us/products/1600100>

Please be informed that the data shown in this PDF document is generated from our online catalog. Please find the complete data in the user documentation. Our general terms of use for downloads are valid.



M23, Device connector rear mounting, application: Signal, series: RC, straight, Screw locking mechanism, No. of pos.: 12, Direction of rotation: Counter direction, contact connection type: Socket, Crimp connection, Radial O-ring, Panel thickness min.: 2.7 mm, Panel thickness max.: 3.5 mm, coding: N

The figure shows the 12-pos. product version with standard contact chamber numbering

Commercial data

Item number	1600100
Packing unit	40 pc
Minimum order quantity	1 pc
Note	Made to order (non-returnable)
Product key	ABRAFR
GTIN	4046356228527
Weight per piece (including packing)	30.5 g
Weight per piece (excluding packing)	26.76 g
Country of origin	DE

RC-12S2N8A4300 - Device connector rear mounting



1600100

<https://www.phoenixcontact.com/us/products/1600100>

Technical data

Notes

Order information:	Order crimp contacts Ø 1 mm separately
--------------------	--

Product properties

Product type	Circular connectors (device side)
Thread type	M23

Material specifications

Flammability rating according to UL 94	V0
--	----

Connection data

Conductor connection

Connection method	Solder connection
-------------------	-------------------

Connector

Insulating body

Note	Order information: Order crimp contacts Ø 1 mm separately
Coding	N
Material (Insulating body)	PA 6.6
Connection method	Crimp connection
Contact switching type	Socket
Application	Signal
Number of positions	12
Direction of rotation	Counter direction
Connection profile	12
Number (Contact group 1)	12
Contact diameter (Contact group 1)	1 mm
Rated current Contact (Contact group 1)	8 A (for max. connection cross section)
Rated voltage Contact (Contact group 1)	48 V AC 74 V DC
Rated surge voltage	1.5 kV
Overvoltage category	III
Degree of pollution	3

Housing

Type	Flange housing
Thread type	M23
Design	straight
Type of locking	Screw locking mechanism
Pg screw connection	none
Mounting type	Rear mounting/square flange (4x M3)

RC-12S2N8A4300 - Device connector rear mounting



1600100

<https://www.phoenixcontact.com/us/products/1600100>

Material (Housing)	Metal
Degree of protection (plugged in)	IP67
Seal for the device	Radial O-ring

Environmental and real-life conditions

Ambient conditions

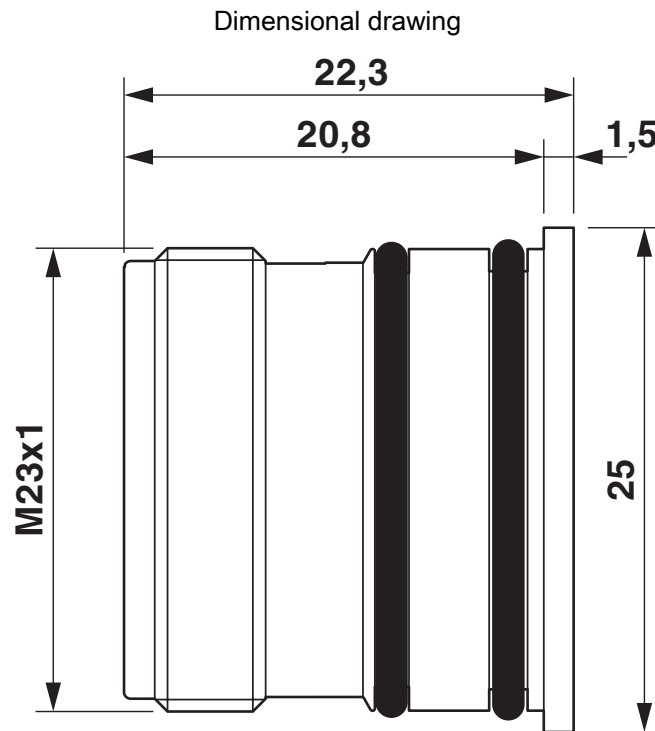
Degree of protection	IP67
----------------------	------

RC-12S2N8A4300 - Device connector rear mounting

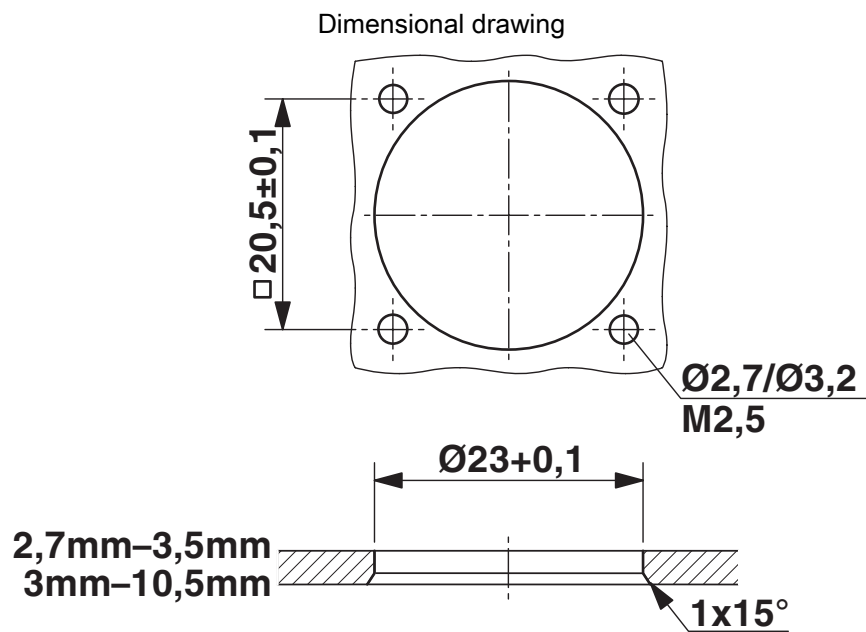
1600100

<https://www.phoenixcontact.com/us/products/1600100>

Drawings



Dimensional drawing

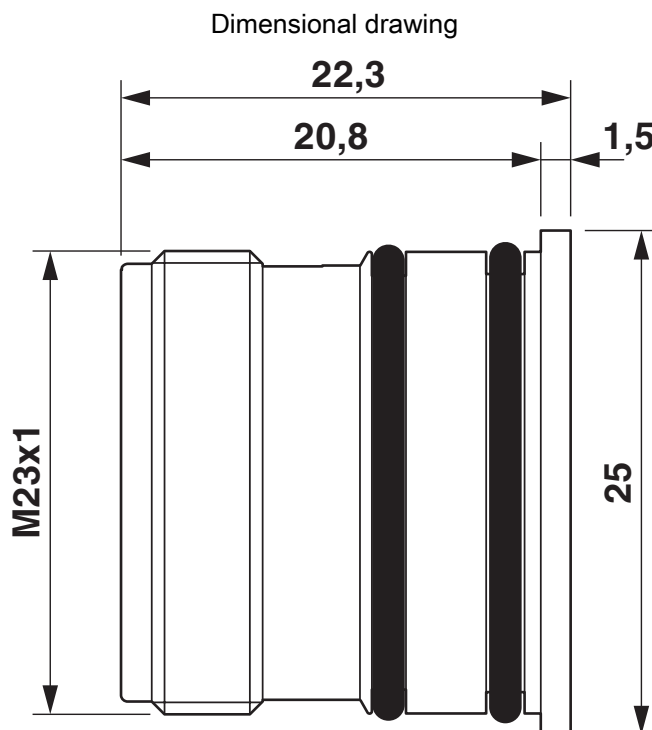


Installation dimensions

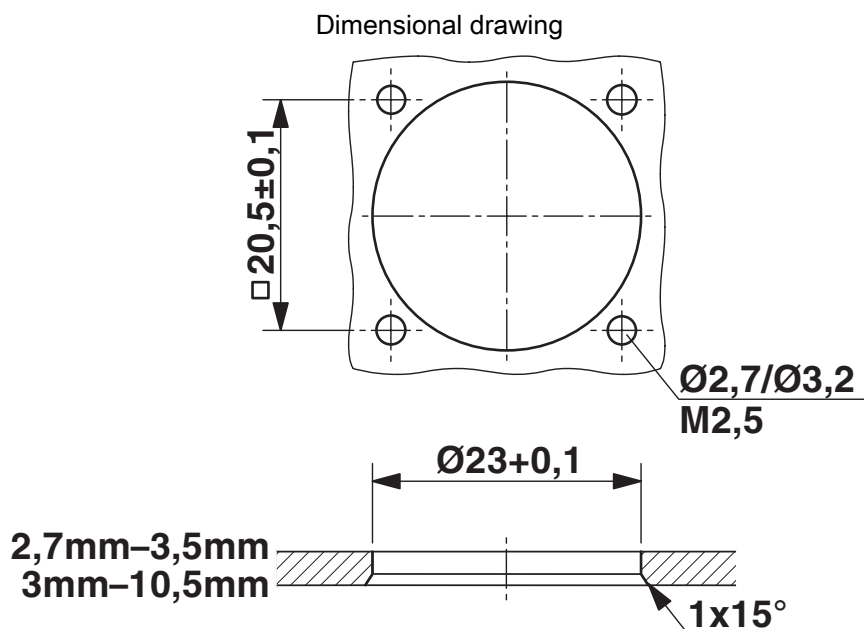
RC-12S2N8A4300 - Device connector rear mounting

1600100

<https://www.phoenixcontact.com/us/products/1600100>



Dimensional drawing



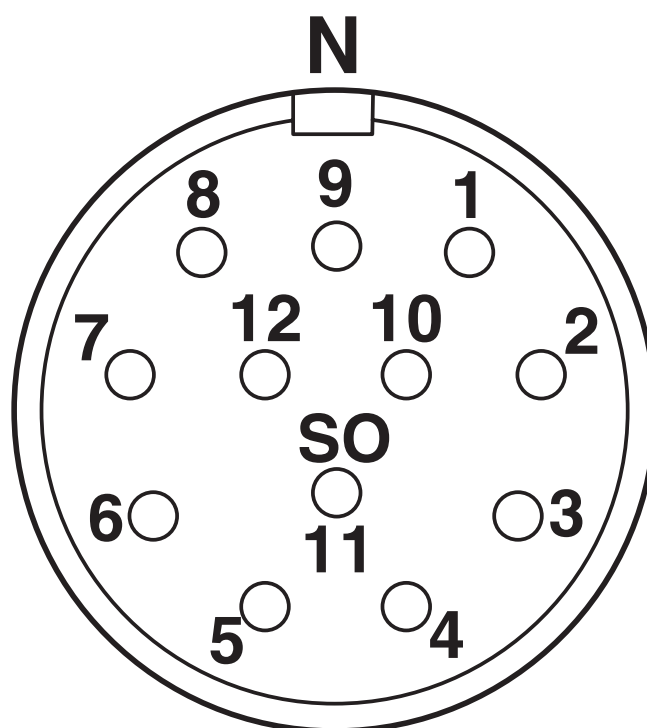
Installation dimensions

RC-12S2N8A4300 - Device connector rear mounting

1600100

<https://www.phoenixcontact.com/us/products/1600100>

Schematic diagram



Connector pin assignment

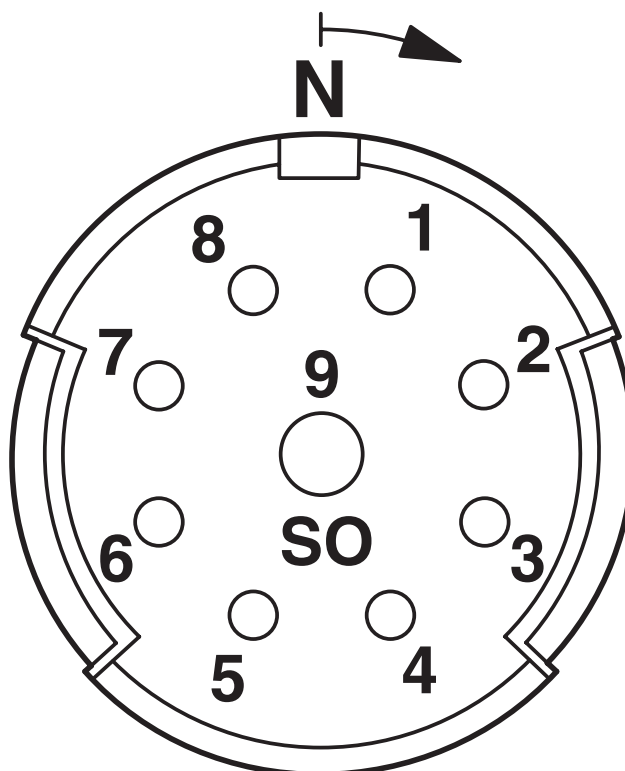
RC-12S2N8A4300 - Device connector rear mounting

1600100

<https://www.phoenixcontact.com/us/products/1600100>



Schematic diagram



Connector pin assignment

RC-12S2N8A4300 - Device connector rear mounting



1600100

<https://www.phoenixcontact.com/us/products/1600100>

Classifications

UNSPSC

UNSPSC 21.0	39121400
-------------	----------

1600100

<https://www.phoenixcontact.com/us/products/1600100>

Environmental product compliance

EU RoHS

Fulfills EU RoHS substance requirements	Yes
Exemption	6(c)

China RoHS

Environment friendly use period (EFUP)	EFUP-50
	An article-related China RoHS declaration table can be found in the download area for the respective article under "Manufacturer declaration". For all articles with EFUP-E, no China RoHS declaration table issued and required.

EU REACH SVHC

REACH candidate substance (CAS No.)	Lead(CAS: 7439-92-1)
-------------------------------------	----------------------

Phoenix Contact 2026 © - all rights reserved
<https://www.phoenixcontact.com>

Phoenix Contact USA
586 Fulling Mill Road
Middletown, PA 17057, United States
(+717) 944-1300
info@phoenixcon.com