

# RC-12S2N12H000 - Device connector rear mounting



1599815

<https://www.phoenixcontact.com/us/products/1599815>

Please be informed that the data shown in this PDF document is generated from our online catalog. Please find the complete data in the user documentation. Our general terms of use for downloads are valid.



The figure shows the 12-pos. product version with standard contact chamber numbering

M23, Device connector rear mounting, application: Signal, series: RC, straight, shielded: yes, Screw locking mechanism, No. of pos.: 12, Direction of rotation: Counter direction, contact connection type: Socket, Solder cup, Axial O-ring, Panel thickness min.: 0.8 mm, Panel thickness max.: 6.5 mm, coding: N. This product is in the process of being discontinued. This product must no longer be considered for new projects. Please contact your sales representative for alternatives.

## Commercial data

Item number	1599815
Packing unit	20 pc
Minimum order quantity	20 pc
Note	Made to order (non-returnable)
Sales key	AB31
Product key	ABRAFR
GTIN	4046356227537
Weight per piece (including packing)	61.787 g
Weight per piece (excluding packing)	56.31 g
Customs tariff number	85366990
Country of origin	DE

# RC-12S2N12H000 - Device connector rear mounting



1599815

<https://www.phoenixcontact.com/us/products/1599815>

## Technical data

### Product properties

Product type	Circular connectors (device side)
--------------	-----------------------------------

### Material specifications

Flammability rating according to UL 94	V0
--	----

### Connector

#### Insulating body

Coding	N
Material (Insulating body)	PBT
Material (Contact)	CuZn
Material (Contact surface)	Ni/Au
Insertion/withdrawal cycles	50
Connection method	Solder cup
Contact switching type	Socket
Application	Signal
Number of positions	12
Direction of rotation	Counter direction
Connection profile	12
Number (Contact group 1)	12
Contact diameter (Contact group 1)	1 mm
Litz wires Min. cross section (Contact group 1)	0.08 mm <sup>2</sup>
Litz wires Max. cross section (Contact group 1)	1 mm <sup>2</sup>
Rated current Contact (Contact group 1)	8 A (for max. connection cross section)
Rated voltage Contact (Contact group 1)	48 V AC 74 V DC
Rated surge voltage	1.5 kV
Overvoltage category	III
Degree of pollution	3

#### Housing

Type	Feed-through header
Thread type	M23
Design	straight
Type of locking	Screw locking mechanism
Pg screw connection	none
Mounting type	Rear mounting (M25 x 1,5)
Assembly note	Central fastening
Material (Housing)	GD-Zn
Material (Housing surface)	Ni
Material (Rotating parts)	CuZn

# RC-12S2N12H000 - Device connector rear mounting



1599815

<https://www.phoenixcontact.com/us/products/1599815>

Degree of protection (plugged in)	IP67
Seal for the device	Axial O-ring

## Environmental and real-life conditions

### Ambient conditions

Degree of protection	IP67
----------------------	------

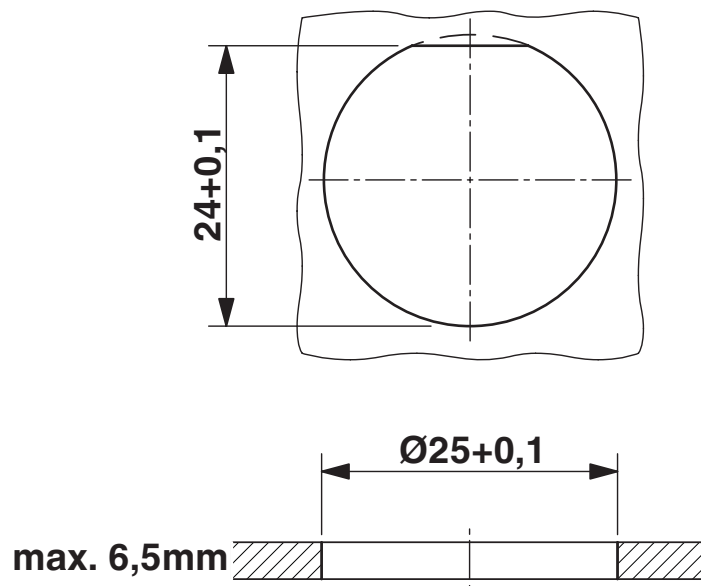
# RC-12S2N12H000 - Device connector rear mounting

1599815

<https://www.phoenixcontact.com/us/products/1599815>

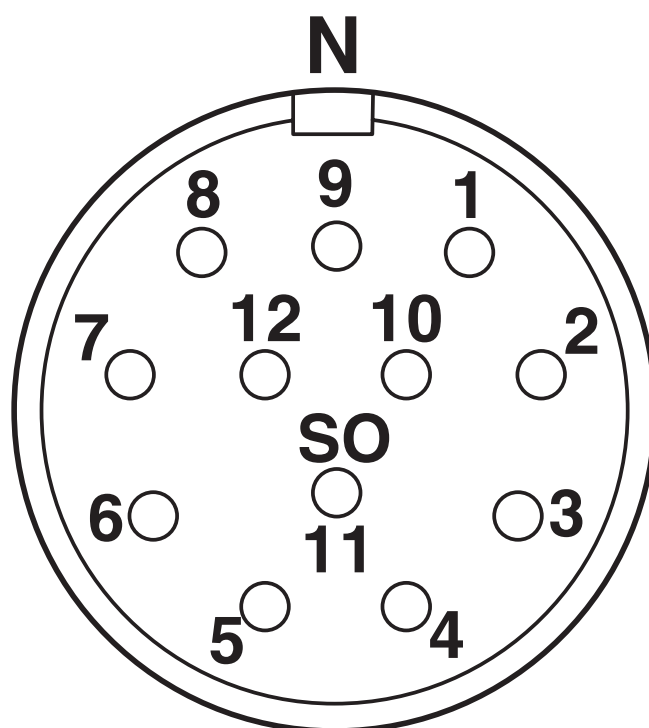
## Drawings

Dimensional drawing



Installation dimensions

Schematic diagram



Connector pin assignment

# RC-12S2N12H000 - Device connector rear mounting



1599815

<https://www.phoenixcontact.com/us/products/1599815>

Schematic diagram



Dimensional drawing

# RC-12S2N12H000 - Device connector rear mounting



1599815

<https://www.phoenixcontact.com/us/products/1599815>

## Classifications

### ECLASS

ECLASS-13.0	27440109
ECLASS-15.0	27440109

### ETIM

ETIM 10.0	EC003569
-----------	----------

### UNSPSC

UNSPSC 21.0	39121400
-------------	----------

1599815

<https://www.phoenixcontact.com/us/products/1599815>

## Environmental product compliance

### EU RoHS

Fulfills EU RoHS substance requirements	Yes
Exemption	6(c)

### China RoHS

Environment friendly use period (EFUP)	EFUP-50
	An article-related China RoHS declaration table can be found in the download area for the respective article under "Manufacturer declaration". For all articles with EFUP-E, no China RoHS declaration table issued and required.

### EU REACH SVHC

REACH candidate substance (CAS No.)	Lead(CAS: 7439-92-1)
SCIP	490064b9-2605-4603-90e2-fb5560f95938

Phoenix Contact 2026 © - all rights reserved

<https://www.phoenixcontact.com>

Phoenix Contact USA  
586 Fulling Mill Road  
Middletown, PA 17057, United States  
(+717) 944-1300  
[info@phoenixcon.com](mailto:info@phoenixcon.com)