

RC-12S1Y8AE000 - Device connector rear mounting



1599581

<https://www.phoenixcontact.com/us/products/1599581>

Please be informed that the data shown in this PDF document is generated from our online catalog. Please find the complete data in the user documentation. Our general terms of use for downloads are valid.



The figure shows the 17-pos.
product version

M23, Device connector rear mounting, application: Signal, series: RC, straight, shielded: yes, Screw locking mechanism, No. of pos.: 12, Direction of rotation: Standard, contact connection type: Socket, Crimp connection, Radial O-ring, Panel thickness min.: 3 mm, Panel thickness max.: 10.5 mm, coding: Y, Alternative product in accordance with RoHS II without Exemption 6c (Pb < 0.1 %) item no.: 1241091

Commercial data

Item number	1599581
Packing unit	40 pc
Minimum order quantity	1 pc
Note	Made to order (non-returnable)
Product key	ABRAFR
GTIN	4046356226370
Weight per piece (including packing)	39.767 g
Weight per piece (excluding packing)	37.26 g
Country of origin	DE

RC-12S1Y8AE000 - Device connector rear mounting



1599581

<https://www.phoenixcontact.com/us/products/1599581>

Technical data

Notes

Order information:	Order crimp contacts Ø 1 mm separately
--------------------	--

Product properties

Product type	Circular connectors (device side)
Thread type	M23

Material specifications

Flammability rating according to UL 94	V0
--	----

Connection data

Conductor connection

Connection method	Solder connection
-------------------	-------------------

Connector

Insulating body

Note	Order information: Order crimp contacts Ø 1 mm separately
Coding	Y
Connection method	Crimp connection
Contact switching type	Socket
Application	Signal
Number of positions	12
Direction of rotation	Standard
Connection profile	12
Number (Contact group 1)	12
Contact diameter (Contact group 1)	1 mm
Rated current Contact (Contact group 1)	8 A (for max. connection cross section)
Rated voltage Contact (Contact group 1)	48 V AC 74 V DC
Rated surge voltage	1.5 kV
Overvoltage category	III
Degree of pollution	3

Housing

Type	Flange housing
Thread type	M23
Design	straight
Type of locking	Screw locking mechanism
Pg screw connection	none
Mounting type	Rear mounting/square flange (4x M3)
Material (Housing)	GD-Zn

RC-12S1Y8AE000 - Device connector rear mounting



1599581

<https://www.phoenixcontact.com/us/products/1599581>

Material (Housing surface)	Ni
Material (Rotating parts)	CuZn
Degree of protection (plugged in)	IP67
Seal for the device	Radial O-ring

Environmental and real-life conditions

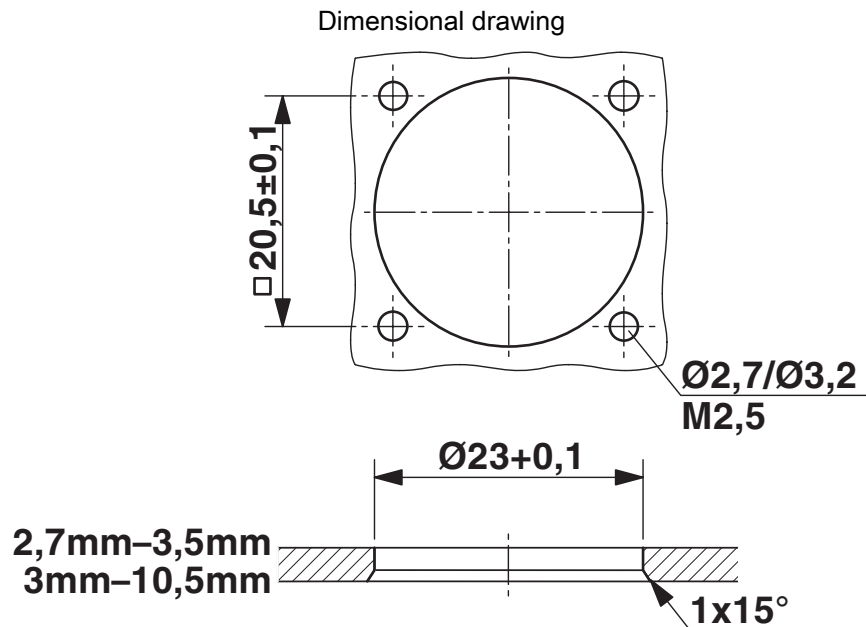
Ambient conditions

Degree of protection	IP67
----------------------	------

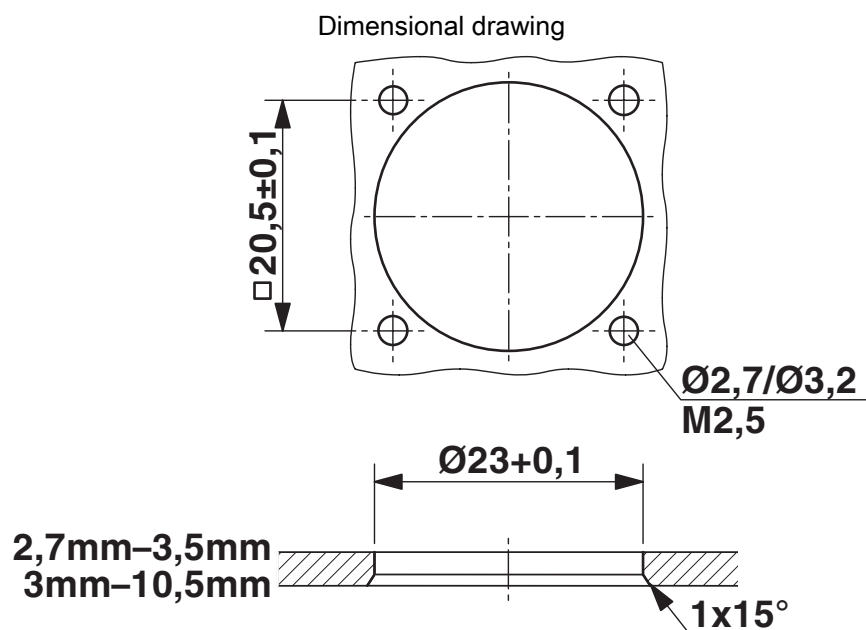
1599581

<https://www.phoenixcontact.com/us/products/1599581>

Drawings



Installation dimensions



Installation dimensions

RC-12S1Y8AE000 - Device connector rear mounting



1599581

<https://www.phoenixcontact.com/us/products/1599581>

Classifications

UNSPSC

UNSPSC 21.0	39121400
-------------	----------

1599581

<https://www.phoenixcontact.com/us/products/1599581>

Environmental product compliance

EU RoHS

Fulfills EU RoHS substance requirements	Yes
Exemption	6(c)

China RoHS

Environment friendly use period (EFUP)	EFUP-50
	An article-related China RoHS declaration table can be found in the download area for the respective article under "Manufacturer declaration". For all articles with EFUP-E, no China RoHS declaration table issued and required.

EU REACH SVHC

REACH candidate substance (CAS No.)	Lead(CAS: 7439-92-1)
SCIP	c5db420f-5e1b-4ac1-a55a-2e769538a5ba

Phoenix Contact 2026 © - all rights reserved

<https://www.phoenixcontact.com>

Phoenix Contact USA
586 Fulling Mill Road
Middletown, PA 17057, United States
(+717) 944-1300
info@phoenixcon.com