

RC-12S1NC20000 - Contact insert



1599367

<https://www.phoenixcontact.com/us/products/1599367>

Please be informed that the data shown in this PDF document is generated from our online catalog. Please find the complete data in the user documentation. Our general terms of use for downloads are valid.



Contact insert, M23, number of positions: 12, contact connection type: Socket, Solder-in connection, series: RC, TU, this item is expected to be lead-free from Q1 2027 in accordance with RoHS II without exception 6c (Pb < 0.1%), a lead-free alternative is possible on request in advance

Commercial data

Item number	1599367
Packing unit	10 pc
Minimum order quantity	1 pc
Sales key	AB31
Product key	ABRAFU
GTIN	4046356225618
Weight per piece (including packing)	10.45 g
Weight per piece (excluding packing)	7.03 g
Customs tariff number	85366990
Country of origin	DE

RC-12S1NC20000 - Contact insert



1599367

<https://www.phoenixcontact.com/us/products/1599367>

Technical data

Product properties

Product type	Contact insert
Series	RC
	TU
Application	Signal
Number of positions	12
Connection profile	12
No. of control contacts	12
Coding	N
Thread type	M23

Electrical properties

Contact: Contact group 1

Contact diameter	1 mm
Nominal current I_N	8 A (for max. connection cross section)
Nominal voltage U_N	48 V AC
	74 V DC
Overvoltage category	III
Degree of pollution	3
Rated surge voltage	1.5 kV

Connection data

Connection method	Solder-in connection
-------------------	----------------------

Material specifications

Material Insulating body	PBT
Material Contact	CuZn
Material Contact surface	Ni/Au

Connector

Direction of rotation	Standard
-----------------------	----------

Mechanical properties

Mechanical data

Insertion/withdrawal cycles	50
-----------------------------	----

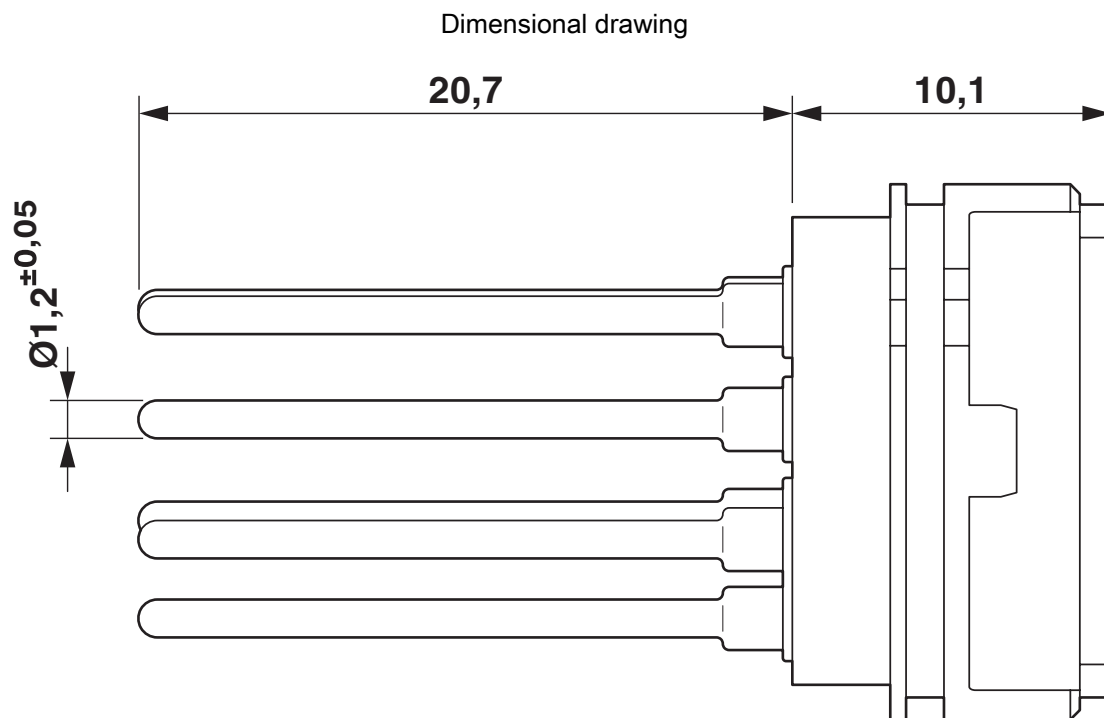
RC-12S1NC20000 - Contact insert



1599367

<https://www.phoenixcontact.com/us/products/1599367>

Drawings



Dimensional drawing

RC-12S1NC20000 - Contact insert



1599367

<https://www.phoenixcontact.com/us/products/1599367>

Schematic diagram



Connector pin assignment

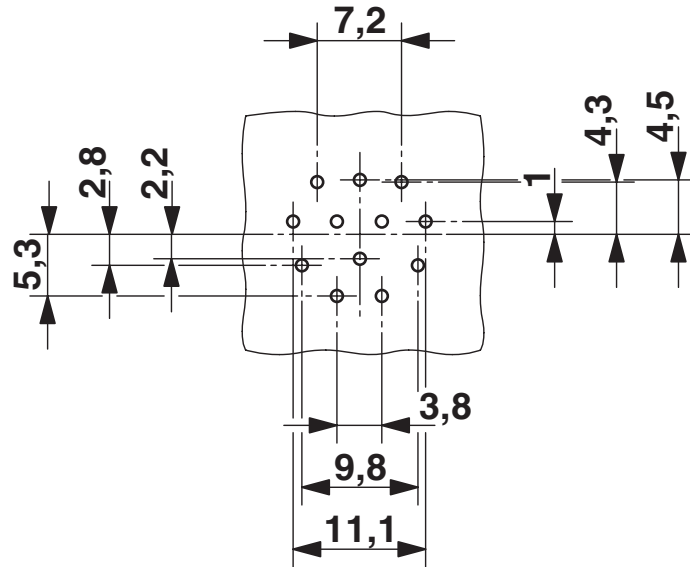
RC-12S1NC20000 - Contact insert

1599367

<https://www.phoenixcontact.com/us/products/1599367>



Drilling plan/solder pad geometry



RC-12S1NC20000 - Contact insert



1599367

<https://www.phoenixcontact.com/us/products/1599367>

Classifications

ECLASS

ECLASS-13.0	27440223
ECLASS-15.0	27440223

ETIM

ETIM 10.0	EC003557
-----------	----------

UNSPSC

UNSPSC 21.0	39121400
-------------	----------

RC-12S1NC20000 - Contact insert



1599367

<https://www.phoenixcontact.com/us/products/1599367>

Environmental product compliance

EU RoHS

Fulfills EU RoHS substance requirements	Yes
Exemption	6(c)

China RoHS

Environment friendly use period (EFUP)	EFUP-50
	An article-related China RoHS declaration table can be found in the download area for the respective article under "Manufacturer declaration". For all articles with EFUP-E, no China RoHS declaration table issued and required.

EU REACH SVHC

REACH candidate substance (CAS No.)	Lead(CAS: 7439-92-1)
SCIP	86b4e6aa-da40-4ab3-a473-7e1f9999abc6

Phoenix Contact 2026 © - all rights reserved

<https://www.phoenixcontact.com>

Phoenix Contact USA
586 Fulling Mill Road
Middletown, PA 17057, United States
(+717) 944-1300
info@phoenixcon.com