

RC-12S1N8DB2L6 - Front panel feed-through



1599347

<https://www.phoenixcontact.com/us/products/1599347>

Please be informed that the data shown in this PDF document is generated from our online catalog. Please find the complete data in the user documentation. Our general terms of use for downloads are valid.



M23, Front panel feed-through, application: Signal, series: RC, straight, shielded: yes, Screw locking mechanism, No. of pos.: 12, Direction of rotation: Standard, contact connection type: Socket, Crimp connection, Radial O-ring, Panel thickness min.: 3 mm, Panel thickness max.: 7 mm, cable diameter range: 9.5 mm ... 10.5 mm, coding: N

Commercial data

Item number	1599347
Packing unit	20 pc
Minimum order quantity	1 pc
Note	Made to order (non-returnable)
Product key	ABRAFJ
GTIN	4046356225496
Weight per piece (including packing)	79.08 g
Weight per piece (excluding packing)	76.21 g
Country of origin	DE

RC-12S1N8DB2L6 - Front panel feed-through



1599347

<https://www.phoenixcontact.com/us/products/1599347>

Technical data

Product properties

Product type	Circular connector (cable-side)
--------------	---------------------------------

Connector

Insulating body

Coding	N
Material (Insulating body)	PA 6.6
Material (Contact)	CuZn
Material (Contact surface)	Ni/Au
Insertion/withdrawal cycles	50
Connection method	Crimp connection
Contact switching type	Socket
Application	Signal
Number of positions	12
Direction of rotation	Standard
Connection profile	12
Number (Contact group 1)	12
Contact diameter (Contact group 1)	1 mm
Litz wires Min. cross section (Contact group 1)	0.14 mm ²
Litz wires Max. cross section (Contact group 1)	0.56 mm ²
Rated current Contact (Contact group 1)	8 A (for max. connection cross section)
Rated voltage Contact (Contact group 1)	48 V AC 74 V DC
Rated surge voltage	1.5 kV
Overvoltage category	III
Degree of pollution	3

Housing

Type	Feed-through header without insert
Thread type	M23
Design	straight
Type of locking	Screw locking mechanism
Pg screw connection	none
Mounting type	Front mounting/square flange (4x Ø 2.7 mm)
Material (Housing)	GD-Zn
Material (Rotating parts)	CuZn
Degree of protection (plugged in)	IP67
Seal for the device	Radial O-ring

Seal

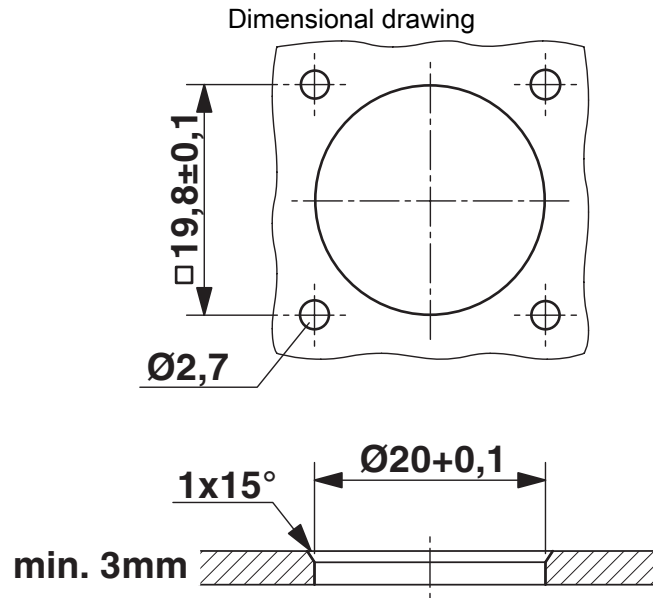
External cable diameter	9.5 mm ... 10.5 mm
-------------------------	--------------------

RC-12S1N8DB2L6 - Front panel feed-through

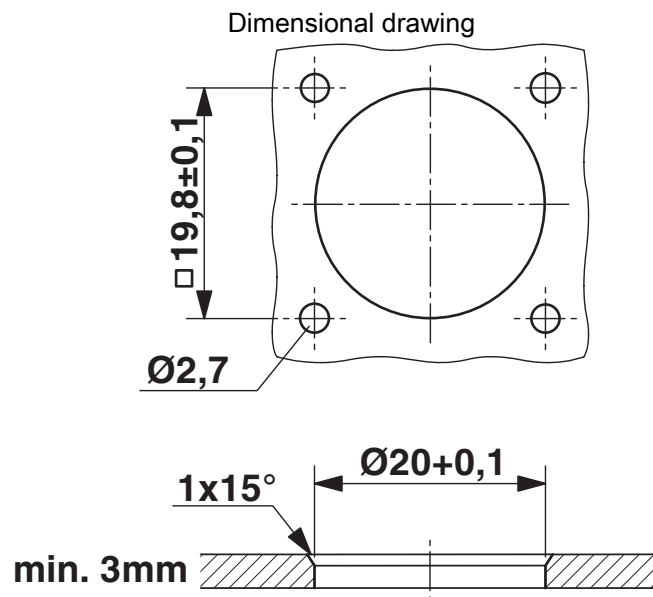
1599347

<https://www.phoenixcontact.com/us/products/1599347>

Drawings



Installation dimensions



Installation dimensions

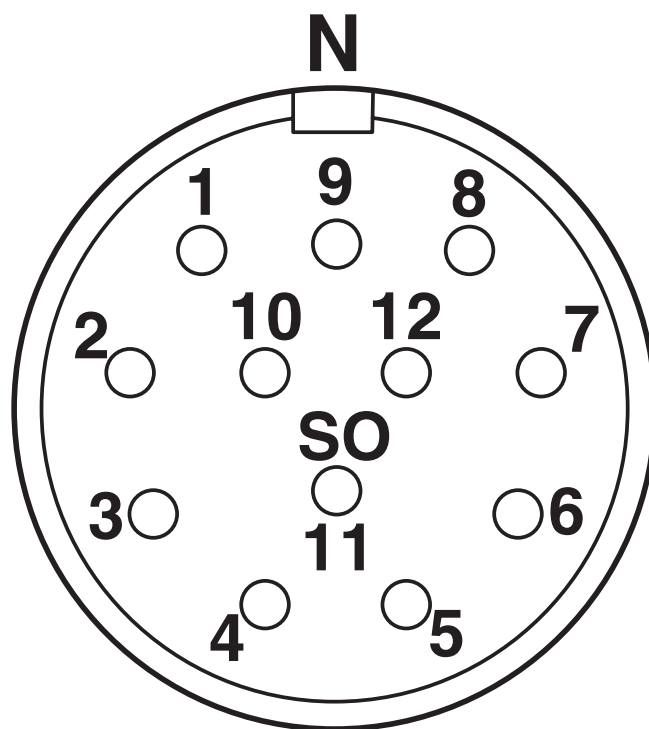
RC-12S1N8DB2L6 - Front panel feed-through



1599347

<https://www.phoenixcontact.com/us/products/1599347>

Schematic diagram



Connector pin assignment

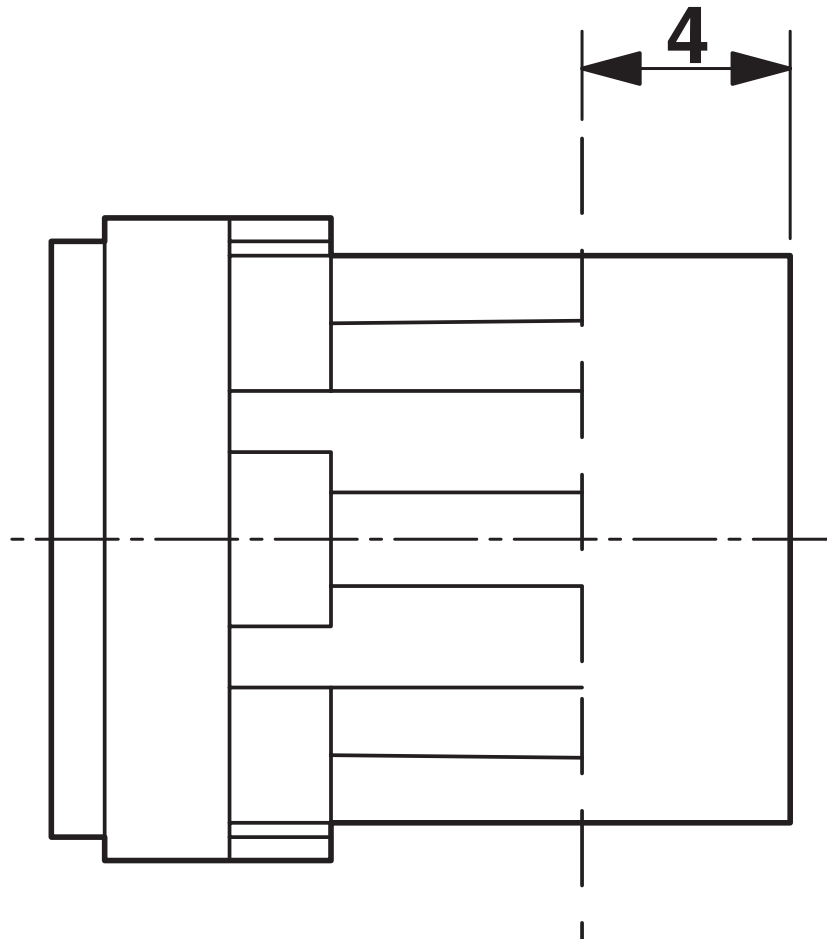
RC-12S1N8DB2L6 - Front panel feed-through



1599347

<https://www.phoenixcontact.com/us/products/1599347>

Schematic diagram



Dimensional drawing

Phoenix Contact 2026 © - all rights reserved
<https://www.phoenixcontact.com>

Phoenix Contact USA
586 Fulling Mill Road
Middletown, PA 17057, United States
(+717) 944-1300
info@phoenixcon.com