

RC-12S1N8AC3K5 - Rear panel feed-through



1599263

<https://www.phoenixcontact.com/us/products/1599263>

Please be informed that the data shown in this PDF document is generated from our online catalog. Please find the complete data in the user documentation. Our general terms of use for downloads are valid.



The figure shows the product with assembled crimp contacts. Please order crimp contacts separately.

M23, Rear panel feed-through, application: Signal, series: RC, straight, shielded: yes, Screw locking mechanism, No. of pos.: 12, Direction of rotation: Standard, contact connection type: Socket, Crimp connection, Axial O-ring, Panel thickness min.: 0.8 mm, Panel thickness max.: 6.5 mm, coding: N. This product is in the process of being discontinued. This product must no longer be considered for new projects. Please contact your sales representative for alternatives.

Commercial data

Item number	1599263
Packing unit	20 pc
Minimum order quantity	20 pc
Product key	ABRAFJ
GTIN	4046356225021
Weight per piece (including packing)	83.38 g
Weight per piece (excluding packing)	79.313 g
Country of origin	DE

RC-12S1N8AC3K5 - Rear panel feed-through



1599263

<https://www.phoenixcontact.com/us/products/1599263>

Technical data

Notes

Order information:	Order crimp contacts Ø 1 mm separately
--------------------	--

Product properties

Product type	Circular connectors (device side)
--------------	-----------------------------------

Material specifications

Flammability rating according to UL 94	V0
--	----

Connector

Insulating body

Note	Order information: Order crimp contacts Ø 1 mm separately
Coding	N
Material (Insulating body)	PA 6.6
Connection method	Crimp connection
Contact switching type	Socket
Application	Signal
Number of positions	12
Direction of rotation	Standard
Connection profile	12
Number (Contact group 1)	12
Contact diameter (Contact group 1)	1 mm
Rated current Contact (Contact group 1)	8 A (for max. connection cross section)
Rated voltage Contact (Contact group 1)	48 V AC 74 V DC
Rated surge voltage	1.5 kV
Overvoltage category	III
Degree of pollution	3

Housing

Type	Feed-through header
Thread type	M23
Design	straight
Type of locking	Screw locking mechanism
Pg screw connection	none
Mounting type	Rear mounting (M25 x 1,5)
Assembly note	Central fastening
Material (Housing)	GD-Zn
Material (Housing surface)	Ni
Material (Rotating parts)	CuZn
Degree of protection (plugged in)	IP67

RC-12S1N8AC3K5 - Rear panel feed-through



1599263

<https://www.phoenixcontact.com/us/products/1599263>

Seal for the device	Axial O-ring
---------------------	--------------

Environmental and real-life conditions

Ambient conditions

Degree of protection	IP67
Permissible humidity (storage/transport)	50 % ... 65 %

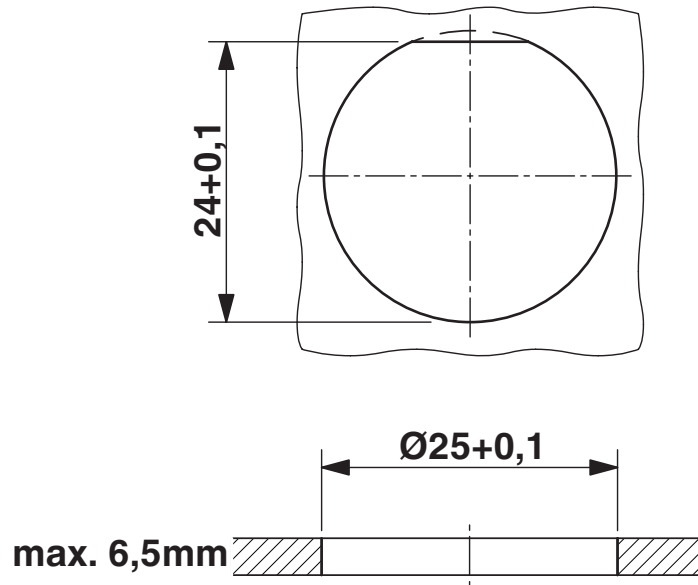
RC-12S1N8AC3K5 - Rear panel feed-through

1599263

<https://www.phoenixcontact.com/us/products/1599263>

Drawings

Dimensional drawing



Installation dimensions

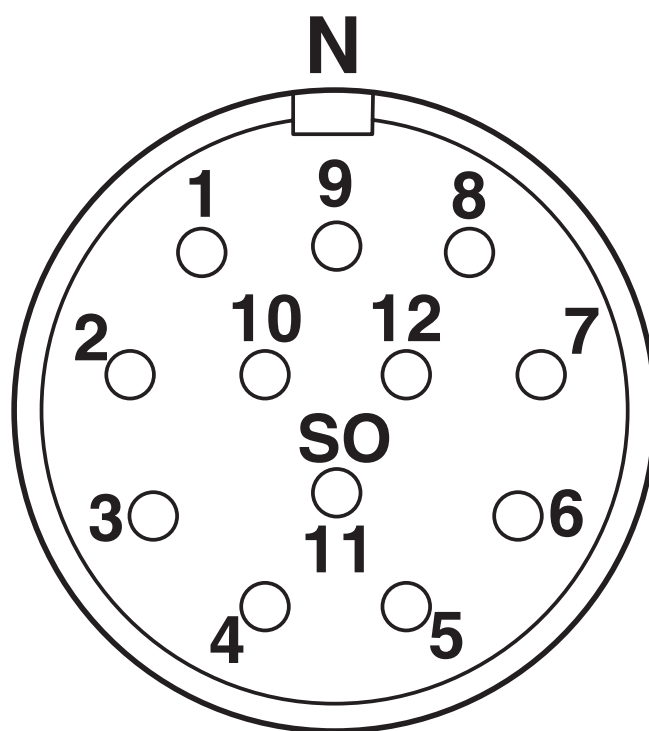
RC-12S1N8AC3K5 - Rear panel feed-through



1599263

<https://www.phoenixcontact.com/us/products/1599263>

Schematic diagram



Connector pin assignment

RC-12S1N8AC3K5 - Rear panel feed-through



1599263

<https://www.phoenixcontact.com/us/products/1599263>

Classifications

ECLASS

ECLASS-13.0	27440109
ECLASS-15.0	27440109

ETIM

ETIM 10.0	EC003569
-----------	----------

UNSPSC

UNSPSC 21.0	39121400
-------------	----------

RC-12S1N8AC3K5 - Rear panel feed-through



1599263

<https://www.phoenixcontact.com/us/products/1599263>

Environmental product compliance

EU RoHS

Fulfills EU RoHS substance requirements	Yes
Exemption	6(c)

China RoHS

Environment friendly use period (EFUP)	EFUP-50
	An article-related China RoHS declaration table can be found in the download area for the respective article under "Manufacturer declaration". For all articles with EFUP-E, no China RoHS declaration table issued and required.

EU REACH SVHC

REACH candidate substance (CAS No.)	Lead(CAS: 7439-92-1)
SCIP	21aaf027-746e-4e41-90e5-f3da8bcbe6b3

Phoenix Contact 2026 © - all rights reserved

<https://www.phoenixcontact.com>

Phoenix Contact USA
586 Fulling Mill Road
Middletown, PA 17057, United States
(+717) 944-1300
info@phoenixcon.com