

# RC-12S1N8A4100 - Device connector rear mounting



1599163

<https://www.phoenixcontact.com/us/products/1599163>

Please be informed that the data shown in this PDF document is generated from our online catalog. Please find the complete data in the user documentation. Our general terms of use for downloads are valid.



M23, Device connector rear mounting, application: Signal, series: RC, straight, Screw locking mechanism, No. of pos.: 12, Direction of rotation: Standard, contact connection type: Socket, Crimp connection, Flat gasket, Panel thickness min.: 2.7 mm, Panel thickness max.: 3.5 mm, coding: N, Alternative product in accordance with RoHS II without Exemption 6c (Pb < 0.1 %) item no.: 1241048

## Commercial data

Item number	1599163
Packing unit	40 pc
Minimum order quantity	1 pc
Note	Made to order (non-returnable)
Product key	ABRAFR
GTIN	4046356224369
Weight per piece (including packing)	31.329 g
Weight per piece (excluding packing)	26.17 g
Country of origin	DE

# RC-12S1N8A4100 - Device connector rear mounting



1599163

<https://www.phoenixcontact.com/us/products/1599163>

## Technical data

### Notes

Order information:	Order crimp contacts Ø 1 mm separately
--------------------	--

### Product properties

Product type	Circular connectors (device side)
Thread type	M23

### Material specifications

Flammability rating according to UL 94	V0
--	----

### Connection data

#### Conductor connection

Connection method	Solder connection
-------------------	-------------------

### Connector

#### Insulating body

Note	Order information: Order crimp contacts Ø 1 mm separately
Coding	N
Material (Insulating body)	PA 6.6
Connection method	Crimp connection
Contact switching type	Socket
Application	Signal
Number of positions	12
Direction of rotation	Standard
Connection profile	12
Number (Contact group 1)	12
Contact diameter (Contact group 1)	1 mm
Rated current Contact (Contact group 1)	8 A (for max. connection cross section)
Rated voltage Contact (Contact group 1)	48 V AC 74 V DC
Rated surge voltage	1.5 kV
Overvoltage category	III
Degree of pollution	3

#### Housing

Type	Flange housing
Thread type	M23
Design	straight
Type of locking	Screw locking mechanism
Pg screw connection	none
Mounting type	Rear mounting/square flange (4x M3)

# RC-12S1N8A4100 - Device connector rear mounting



1599163

<https://www.phoenixcontact.com/us/products/1599163>

Material (Housing)	Metal
Degree of protection (plugged in)	IP67
Seal for the device	Flat gasket

## Environmental and real-life conditions

### Ambient conditions

Degree of protection	IP67
Permissible humidity (storage/transport)	50 % ... 65 %

# RC-12S1N8A4100 - Device connector rear mounting

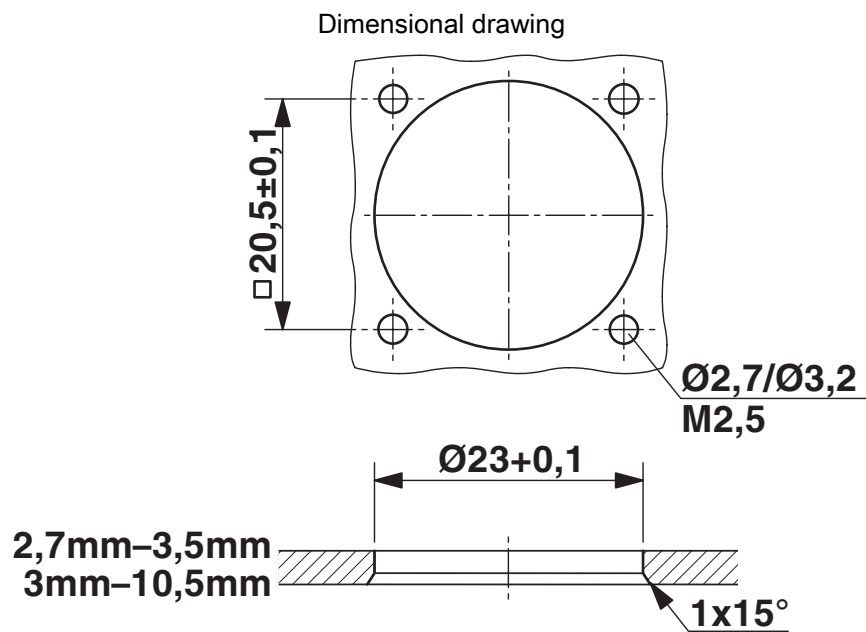
1599163

<https://www.phoenixcontact.com/us/products/1599163>

## Drawings



Dimensional drawing

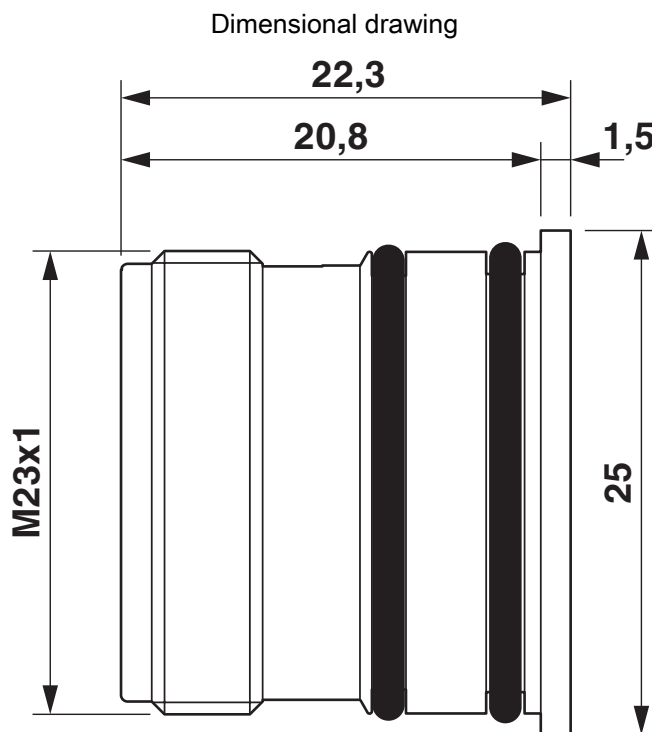


Installation dimensions

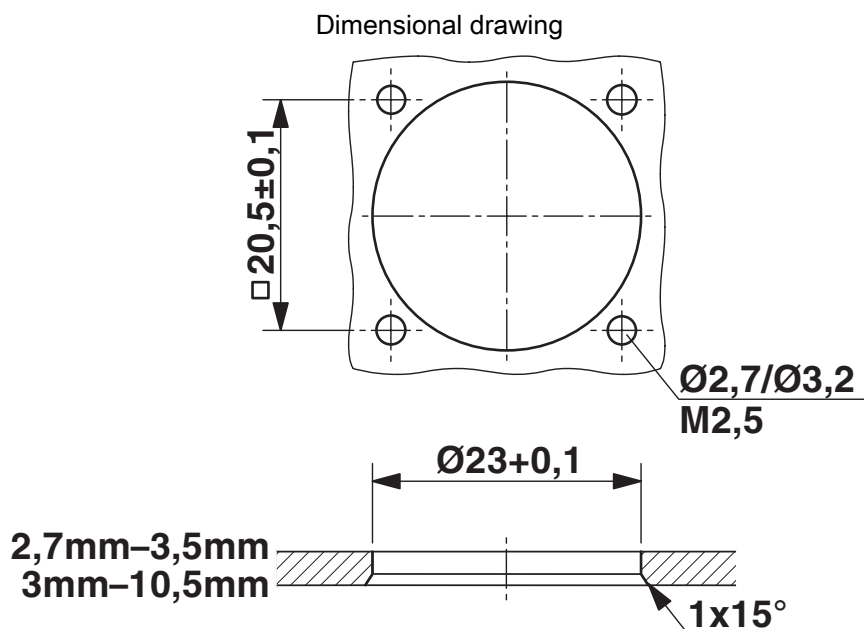
# RC-12S1N8A4100 - Device connector rear mounting

1599163

<https://www.phoenixcontact.com/us/products/1599163>



Dimensional drawing



Installation dimensions

# RC-12S1N8A4100 - Device connector rear mounting

1599163

<https://www.phoenixcontact.com/us/products/1599163>

Schematic diagram



Connector pin assignment

# RC-12S1N8A4100 - Device connector rear mounting



1599163

<https://www.phoenixcontact.com/us/products/1599163>

## Classifications

### UNSPSC

UNSPSC 21.0	39121400
-------------	----------

# RC-12S1N8A4100 - Device connector rear mounting



1599163

<https://www.phoenixcontact.com/us/products/1599163>

## Environmental product compliance

### EU RoHS

Fulfills EU RoHS substance requirements	Yes
Exemption	6(c)

### China RoHS

Environment friendly use period (EFUP)	EFUP-50
	An article-related China RoHS declaration table can be found in the download area for the respective article under "Manufacturer declaration". For all articles with EFUP-E, no China RoHS declaration table issued and required.

### EU REACH SVHC

REACH candidate substance (CAS No.)	Lead(CAS: 7439-92-1)
SCIP	b57eabd3-faff-416d-843f-53380e0f7f0c

Phoenix Contact 2026 © - all rights reserved

<https://www.phoenixcontact.com>

Phoenix Contact USA  
586 Fulling Mill Road  
Middletown, PA 17057, United States  
(+717) 944-1300  
[info@phoenixcon.com](mailto:info@phoenixcon.com)