

RC-12S1N124100 - Device connector front mounting



1598534

<https://www.phoenixcontact.com/us/products/1598534>

Please be informed that the data shown in this PDF document is generated from our online catalog. Please find the complete data in the user documentation. Our general terms of use for downloads are valid.



M23, Device connector front mounting, application: Signal, series: RC, straight, Screw locking mechanism, No. of pos.: 12, Direction of rotation: Standard, contact connection type: Socket, Solder cup, Flat gasket, Panel thickness min.: 2.7 mm, Panel thickness max.: 3.5 mm, coding: N. This product is in the process of being discontinued. This product must no longer be considered for new projects. Please contact your sales representative for alternatives.

Commercial data

Item number	1598534
Packing unit	40 pc
Minimum order quantity	1 pc
Sales key	AB31
Product key	ABRAFL
GTIN	4046356221184
Weight per piece (including packing)	32.85 g
Weight per piece (excluding packing)	30.941 g
Customs tariff number	85366990
Country of origin	DE

1598534

<https://www.phoenixcontact.com/us/products/1598534>

Technical data

Product properties

Product type	Circular connectors (device side)
--------------	-----------------------------------

Material specifications

Flammability rating according to UL 94	V0
--	----

Connector

Insulating body

Coding	N
Material (Insulating body)	PBT
Material (Contact)	CuZn
Material (Contact surface)	Ni/Au
Insertion/withdrawal cycles	50
Connection method	Solder cup
Contact switching type	Socket
Application	Signal
Number of positions	12
Direction of rotation	Standard
Connection profile	12
Number (Contact group 1)	12
Contact diameter (Contact group 1)	1 mm
Litz wires Min. cross section (Contact group 1)	0.08 mm ²
Litz wires Max. cross section (Contact group 1)	1 mm ²
Rated current Contact (Contact group 1)	8 A (for max. connection cross section)
Rated voltage Contact (Contact group 1)	48 V AC 74 V DC
Rated surge voltage	1.5 kV
Overvoltage category	III
Degree of pollution	3

Housing

Type	Flange housing
Thread type	M23
Design	straight
Type of locking	Screw locking mechanism
Pg screw connection	none
Mounting type	Rear mounting/square flange (4x M3)
Material (Housing)	Metal
Degree of protection (plugged in)	IP67
Seal for the device	Flat gasket

RC-12S1N124100 - Device connector front mounting



1598534

<https://www.phoenixcontact.com/us/products/1598534>

Environmental and real-life conditions

Ambient conditions

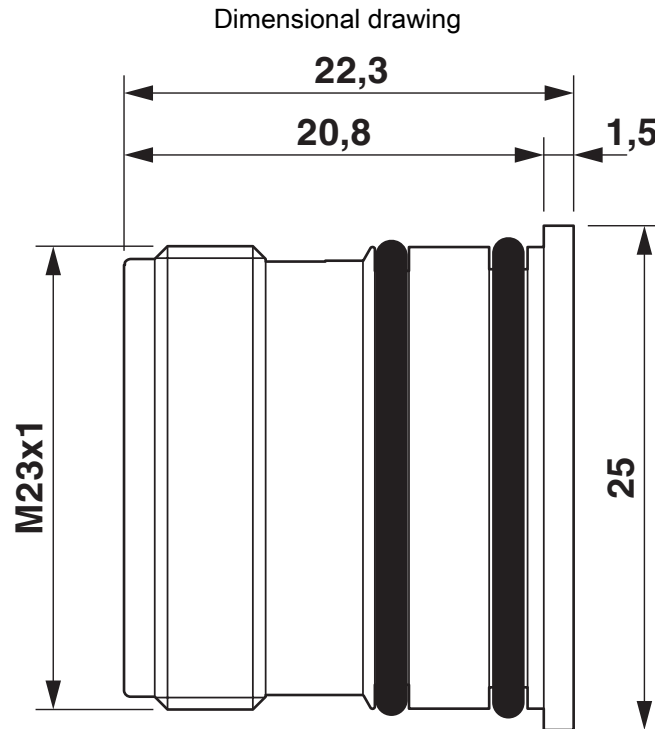
Degree of protection	IP67
----------------------	------

RC-12S1N124100 - Device connector front mounting

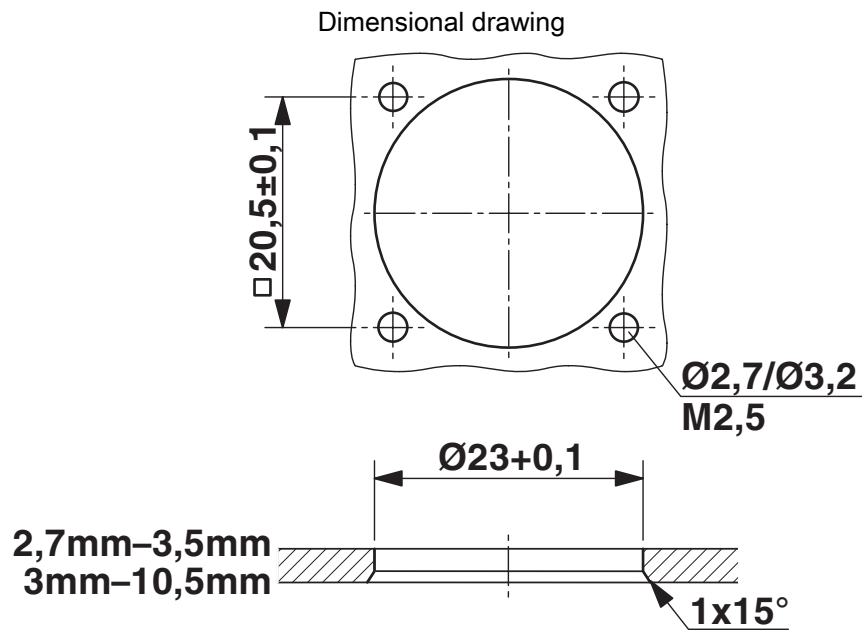
1598534

<https://www.phoenixcontact.com/us/products/1598534>

Drawings



Dimensional drawing

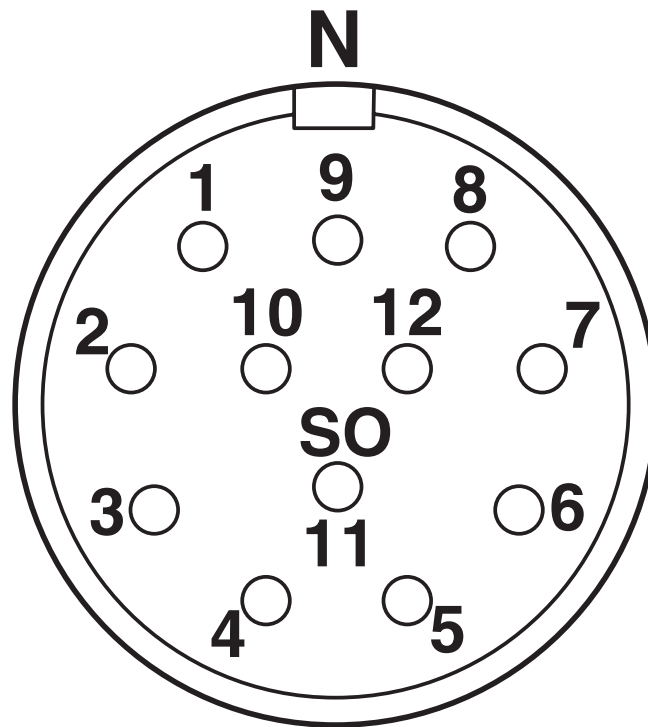


Installation dimensions

1598534

<https://www.phoenixcontact.com/us/products/1598534>

Schematic diagram



Connector pin assignment

RC-12S1N124100 - Device connector front mounting



1598534

<https://www.phoenixcontact.com/us/products/1598534>

Schematic diagram



Dimensional drawing

RC-12S1N124100 - Device connector front mounting



1598534

<https://www.phoenixcontact.com/us/products/1598534>

Classifications

ECLASS

ECLASS-13.0	27440109
ECLASS-15.0	27440109

ETIM

ETIM 10.0	EC003569
-----------	----------

UNSPSC

UNSPSC 21.0	39121400
-------------	----------

1598534

<https://www.phoenixcontact.com/us/products/1598534>

Environmental product compliance

EU RoHS

Fulfills EU RoHS substance requirements	Yes
Exemption	6(c)

China RoHS

Environment friendly use period (EFUP)	EFUP-50
	An article-related China RoHS declaration table can be found in the download area for the respective article under "Manufacturer declaration". For all articles with EFUP-E, no China RoHS declaration table issued and required.

EU REACH SVHC

REACH candidate substance (CAS No.)	Lead(CAS: 7439-92-1)
SCIP	1eb15978-c7be-440a-bb81-c86240d39e4f

Phoenix Contact 2026 © - all rights reserved

<https://www.phoenixcontact.com>

Phoenix Contact USA
586 Fulling Mill Road
Middletown, PA 17057, United States
(+717) 944-1300
info@phoenixcon.com